

Precision engineered downlights

A family of recessed LED downlights which deliver up to 7752 lumens thanks to the thermal efficiency of their machined aluminium heatsinks. Each model is equipped with our high-CRI (Ra) (90 or 97) LED emitters and optics for high saturation white light and perfectly uniform beams across the near and far fields. Each model is available with white, black or grey bezel options to best suit each installation.

- Outputs up to 7752 lm*.
- Efficiency up to 101.09 lm/W*.
- External drivers required.
- Machined aluminium heatsinks.
- Choice of colour finishes: Black, white, grey or other RAL colours on request.
- Fully CE compliant.

Please see:

- Page 2 for the light output table.
- Page 7 for order options.

* (8K model @ 4000K, 40°, 90 CRI)

Puppis 2K
(page 4)



Puppis 1K
(page 3)



Puppis 8K
(page 6)



Puppis 4K
(page 5)





Light output table

Model	Power input	CCT	Beam angle	90 CRI		97 CRI	
				Output (lm)	Efficacy (lm/W)	Output (lm)	Efficacy (lm/W)
Puppis 1K	12W	2700K	24°	1025	85.42	918	76.51
	•	•	40°	1019	84.92	912	76.04
	•	3000K	24°	1035	86.25	954	79.50
	•	•	40°	1059	88.25	948	79.02
	•	4000K	24°	1035	86.25	977	81.41
	•	•	40°	1059	88.25	971	80.91
Puppis 2K	22W	2700K	15°	1969	89.50	1775	80.69
	•	•	24°	1926	87.55	1736	78.90
	•	•	40°	1938	88.09	1746	79.34
	•	3000K	15°	1780	80.91	1845	83.86
	•	•	24°	2059	93.59	1804	82.00
	•	•	40°	2035	92.50	1814	82.46
	•	4000K	15°	2197	99.86	1891	85.95
	•	•	24°	2153	97.86	1849	84.04
	•	•	40°	2224	101.09	1859	84.52
	Puppis 4K	55W	2700K	15°	4361	79.29	3945
•		•	24°	4255	77.36	3847	69.95
•		•	40°	4303	78.25	3893	70.78
•		3000K	15°	4646	84.47	4103	74.60
•		•	24°	4556	82.84	3881	70.56
•		•	40°	4588	83.42	4049	73.62
•		4000K	15°	4976	90.47	4206	76.47
•		•	24°	4751	86.38	4102	74.58
•		•	40°	4858	88.33	4151	75.47
Puppis 8K		90W	2700K	15°	6782	75.36	6570
	•	•	24°	6538	72.64	6334	70.38
	•	•	40°	6586	73.18	6381	70.90
	•	3000K	15°	7214	80.16	6408	71.20
	•	•	24°	6538	72.64	6179	68.65
	•	•	40°	7119	79.10	6225	69.16
	•	4000K	15°	7645	84.94	6570	73.00
	•	•	24°	7437	82.63	6334	73.00
	•	•	40°	7752	86.13	6381	70.90

Puppis 1K

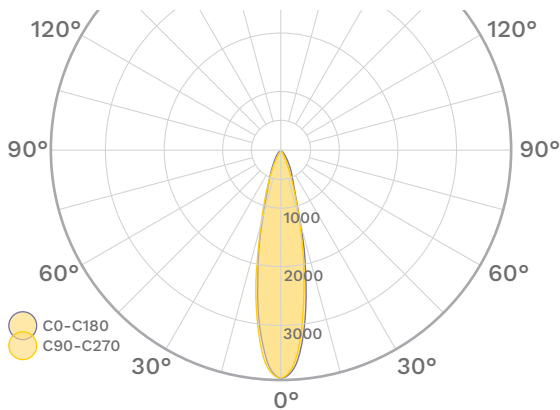
Specifications

Output	Up to 1059 lm (@ 4000K, 40°, 90 CRI)
Colour temps.	2700K, 3000K or 4000K
Beam widths	24 or 40 degrees
Driver voltage	200-240VAC
Input power	12W
LED FV current	34-36VDC, 300-350mA
Efficacy	Up to 88.25 lm/W (@ 4000K, 40°, 90 CRI)
CRI (Ra)	90 or 97
SDCM	3-step MacAdam ellipse
UGR	<19
Lifetime	50,000 hours (L ₈₀ B ₂₀)
IP rating	IP20
Driver options	Non-Dim, Mains Dim, DALI, DMX
Warranty	5 years
Body finish	White, black or grey

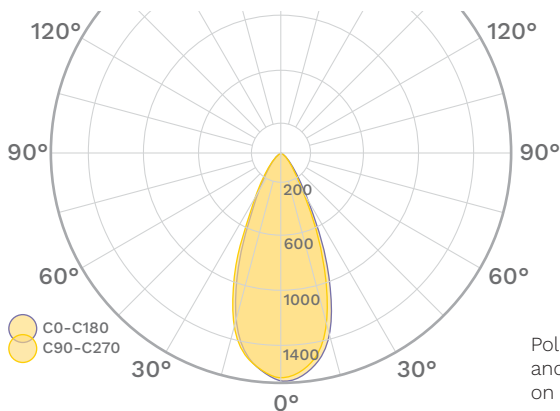


Polar charts (@3000K)

Puppis 1K 24°

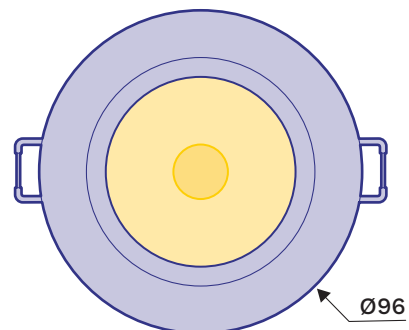
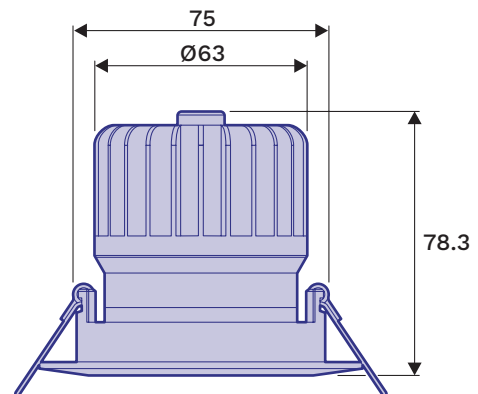


Puppis 1K 40°



Polar charts for 2700K and 4000K available on request

Dimensions



Puppis 2K

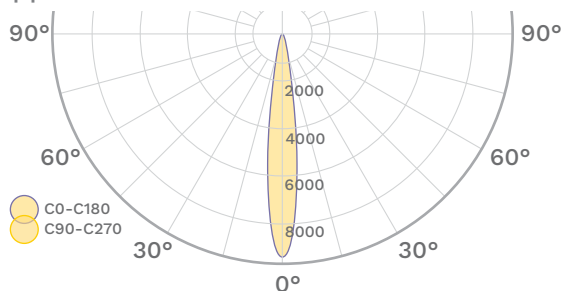
Specifications

Output	Up to 2224 lm (@ 4000K, 40°, 90 CRI)
Colour temps.	2700K, 3000K or 4000K
Beam widths	15, 24 or 40 degrees
Driver voltage	200-240VAC
Input power	22W
LED FV current	34-36VDC, 550-600mA
Efficacy	Up to 101.09 lm/W (@ 4000K, 40°, 90 CRI)
CRI (Ra)	90 or 97
SDCM	3-step MacAdam ellipse
UGR	<19
Lifetime	50,000 hours (L ₈₀ B ₂₀)
IP rating	IP20
Driver options	Non-Dim, Mains Dim, DALI, DMX
Warranty	5 years
Body finish	White, black or grey

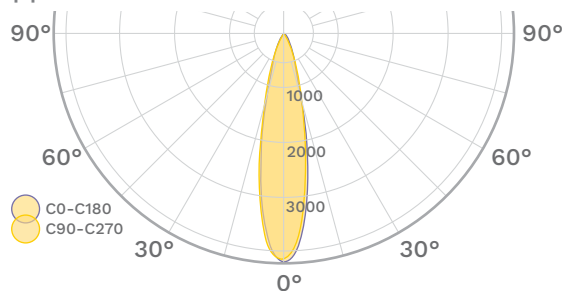


Polar charts (@3000K)

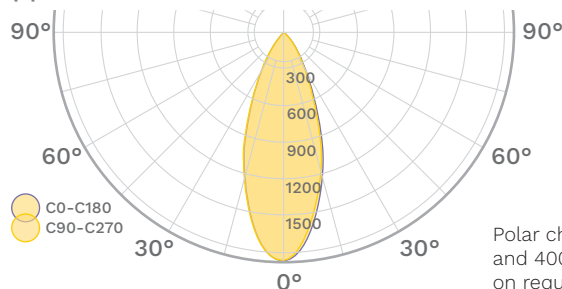
Puppis 2K 15°



Puppis 2K 24°

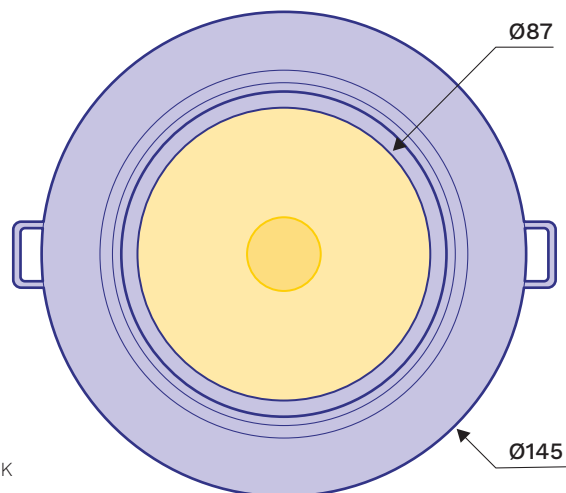
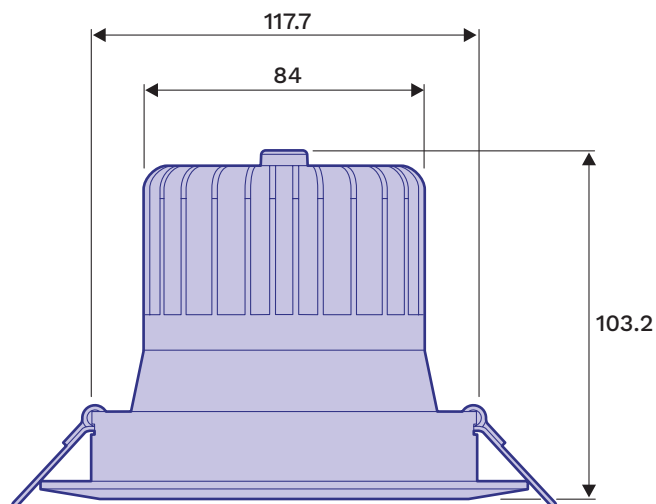


Puppis 2K 40°



Polar charts for 2700K and 4000K available on request

Dimensions



Puppis 4K

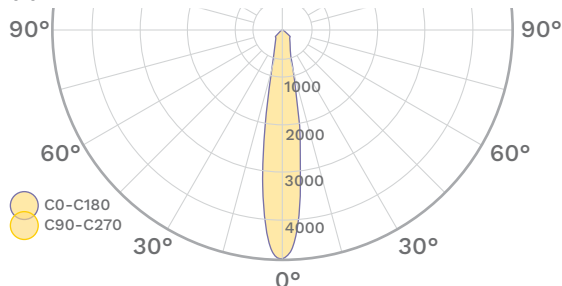
Specifications

Output	Up to 4976 lm (@ 4000K, 15°, 90 CRI)
Colour temps.	2700K, 3000K or 4000K
Beam widths	15, 24 or 45 degrees
Driver voltage	200-240VAC
Input power	55W
LED FV current	34-36VDC, 1300-1400mA
Efficacy	Up to 90.47 lm/W (@ 4000K, 15°, 90 CRI)
CRI (Ra)	90 or 97
SDCM	3-step MacAdam ellipse
UGR	<19
Lifetime	50,000 hours (L ₈₀ B ₂₀)
IP rating	IP20
Driver options	Non-Dim, Mains Dim, DALI, DMX
Warranty	5 years
Body finish	White, black or grey

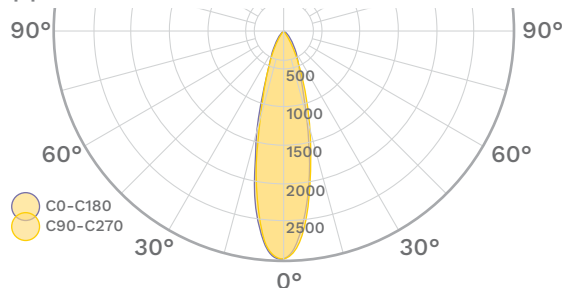


Polar charts (@3000K)

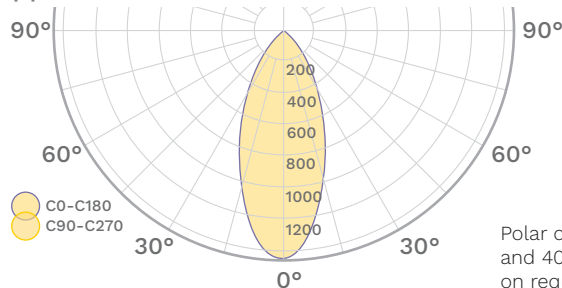
Puppis 4K 15°



Puppis 4K 24°

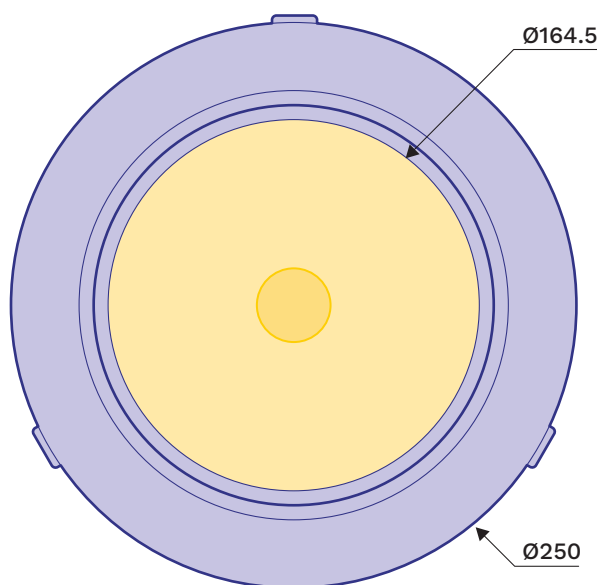
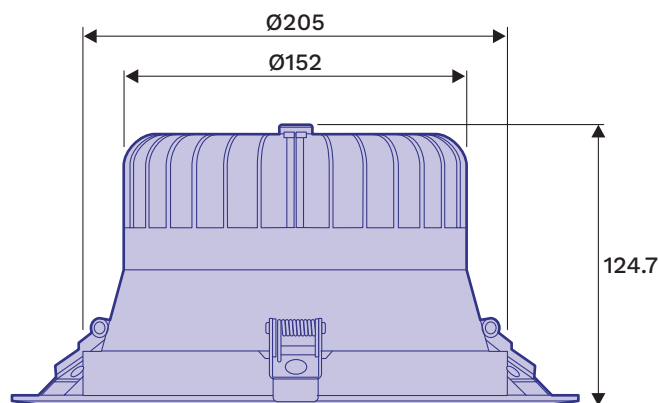


Puppis 4K 45°



Polar charts for 2700K and 4000K available on request

Dimensions



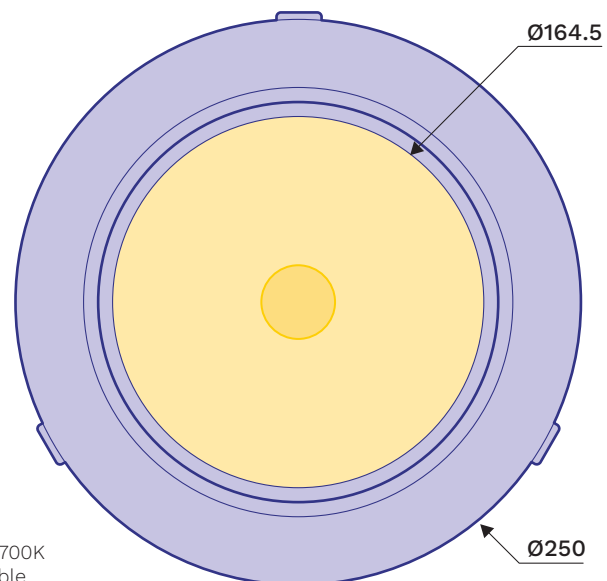
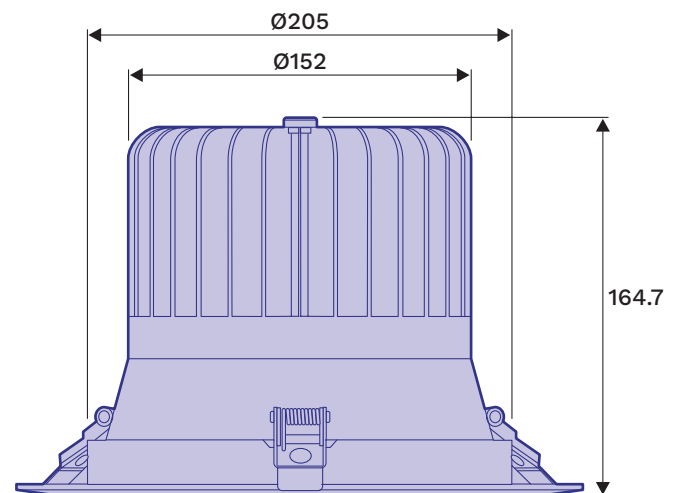
Puppis 8K

Specifications

Output	Up to 7752 lm (@ 4000K, 40°, 90 CRI)
Colour temps.	2700K, 3000K or 4000K
Beam widths	15, 24 or 45 degrees
Driver voltage	200-240VAC
Input power	90W
LED FV current	34-36VDC, 2200-2300mA
Efficacy	Up to 86.13 lm/W (@ 4000K, 40°, 90 CRI)
CRI (Ra)	90 or 97
SDCM	3-step MacAdam ellipse
UGR	<19
Lifetime	50,000 hours (L ₈₀ B ₂₀)
IP rating	IP20
Driver options	Non-Dim, Mains Dim, DALI, DMX
Warranty	5 years
Body finish	White, black or grey

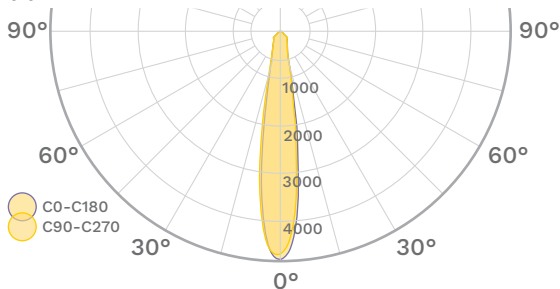


Dimensions

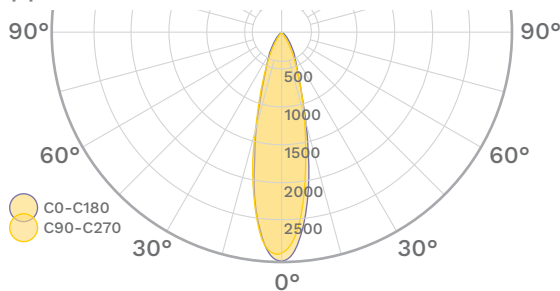


Polar charts (@3000K)

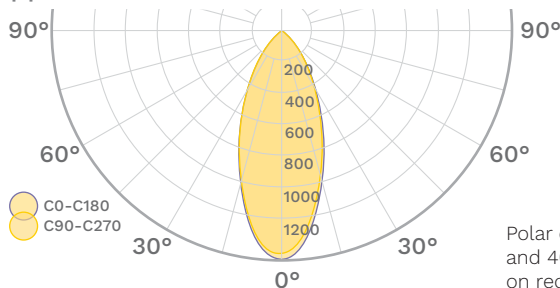
Puppis 8K 15°



Puppis 8K 24°



Puppis 8K 45°



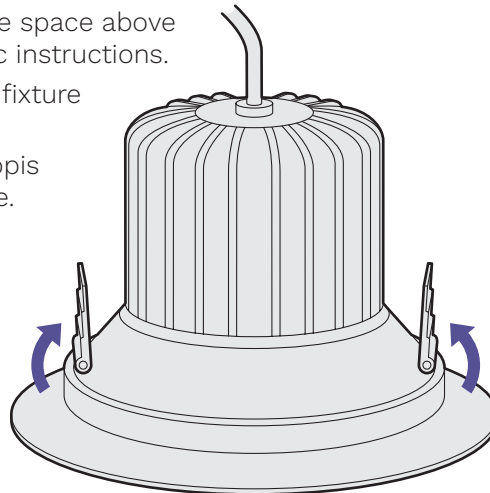
Polar charts for 2700K and 4000K available on request

Order options

Range	Family	Variants	Diameters	Powers	Beam widths	CCT/CRI	Control	Colour
Reality	Puppis	Recessed	96 to 250 (mm)	12 to 90 (W)	15 to 45°	2700K, 3000K or 4000K 90 CRI or 97 CRI	Non-Dim Mains Dim DALI DMX	Black White Grey

Installation tips

- Create the mounting hole at the required diameter. Add 4mm for clearance to the main body size for the chosen model. For instance, on large and xtra models, the hole should be $\varnothing 205 + 4\text{mm} = 209\text{mm}$.
- Mount the required LED driver in the space above and cable it according to its specific instructions.
- Connect the cable from the Puppis fixture to the output of the LED driver.
- Fold up the locking arms of the Puppis fixture and insert it through the hole.



- The sprung arms will then push down against the top surface of the ceiling, keeping the fixture firmly in place.

