

Atlas 2K Downlight, Recessed Adjustable, White + RGBW Ring, 28W



Model No: TBC

DATASHEET

Introduction

The Atlas is set to revolutionise the way we approach lighting. Exceptionally rendered white light, combined with beautifully saturated colour empowers designers, architects, and end-users to deliver fully immersive experiences across a variety of sectors. A sleek modern combination of classic and dynamic lighting bringing a unique aesthetic to any space.

Key features

- Colour (RGBW) 360° uniform light source
- Ring diffuser optically engineered for maximum efficacy
- Accent ring optimised for uniform colour emission.
- Deep main light source to emulate an AR111 antiglare
- 2700K, 3000K, 4000K
- 97 CRI, full spectrum
- Wide range of beam angles (15 to 60°)
- Fade to Warm availability
- Drive Hub compatible with Starfield output card
- CE compliant
- 50,000 hour lifetime (L80)
- 5 year warranty



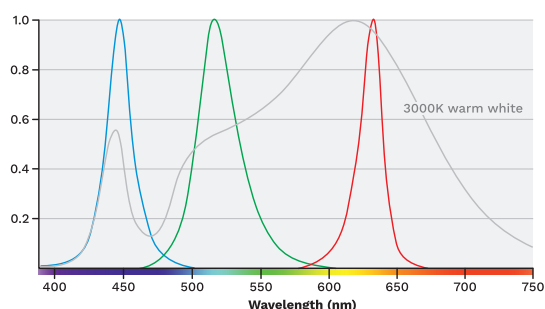
Specifications

Fitting Type	Recessed Downlight
Size	110mm Height x 140mm Diameter
Approximate Weight (g)	TBC
Beam Angle Options(°)	15/24/30/40/60
Optics	Solid Polymer/Aluminium Reflector
Finish	Black/White/Custom
IP Rating	IP20
Operating Temp (°C)	-20 to +75
Lifetime (L80)	L80@50,000
Hole Cut-Out (∅)	165-185mm

RGBW Halo Ring (Constant Voltage)			
Colour	Forward Voltage (Vf)	Drive Current (If, mA, max.)	Max. Power (W)
Red	33	30	1
Green	33	30	1
Blue	33	30	1
White	33	30	1

Central Spot (Constant Current)	
Colour Temperature (K)	2700, 3000, 4000K
Colour Rendering Index	>97
Forward Voltage (Vf)	36
Drive Current (If, mA, max.)	800
Total Power Max (W)	28.8
Lumen Output (lm)	2700
Lumen Efficacy (lm/w)	94

Relative Spectral Distribution

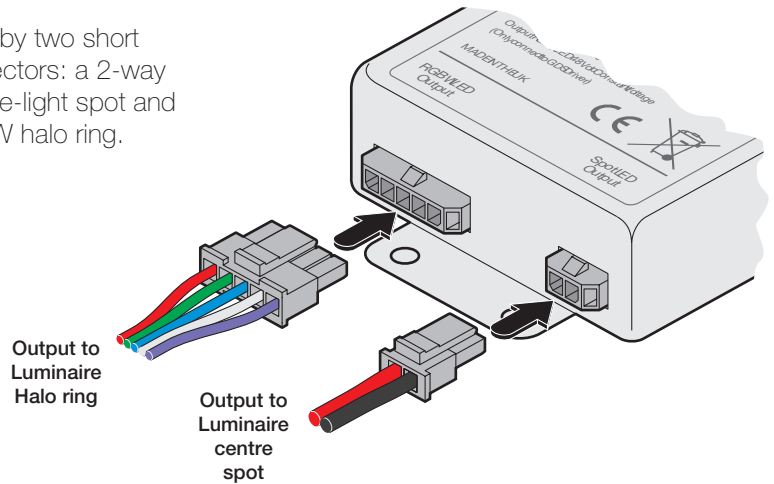


Starfield Driver Connection

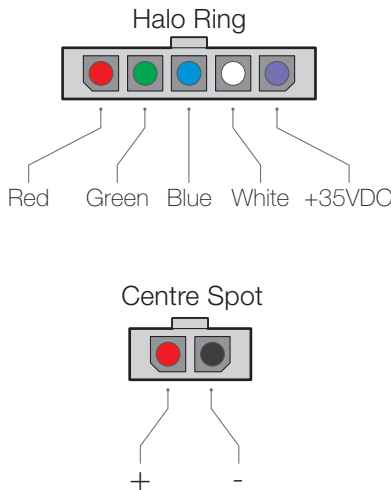
Driver input voltage:	48VDC (From distribution unit)
Driver maximum power:	32.8W
Driver connector(s):	RJ45 (2 off)
	Molex Micro-Fit (single-row) 2-way
	Molex Micro-Fit (single-row) 5-way

Driver to Luminaire connection

Each Luminaire is linked to its accompanying Driver by two short leads which are terminated in Molex Micro-Fit connectors: a 2-way connector (Molex #43645-0200) for the central white-light spot and a 5-way version (Molex #43645-0500) for the RGBW halo ring.



Luminaire connector pin-outs



Luminaire DMX Address layout

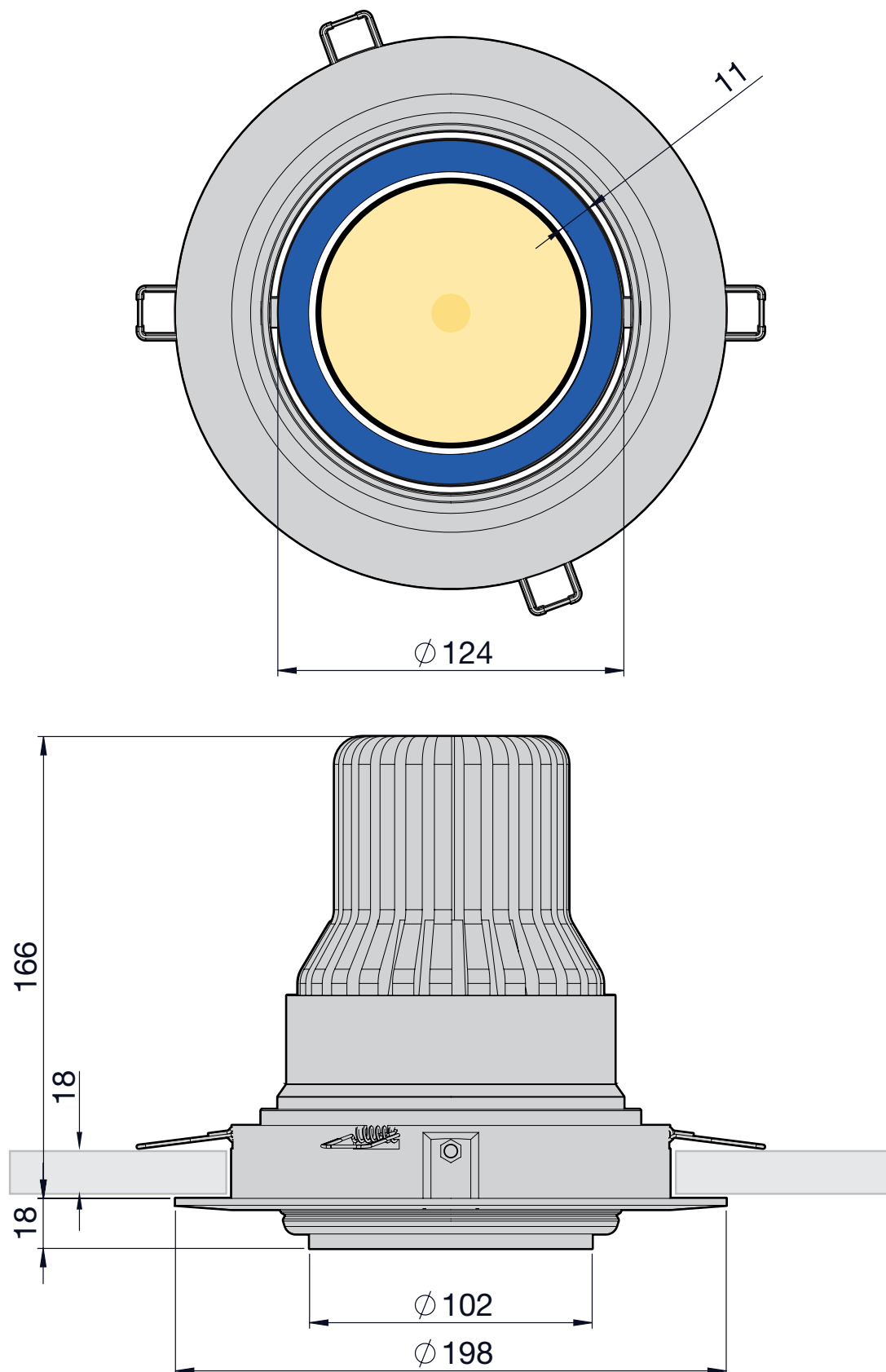
Each Luminaire requires six DMX channels, which are designated as follows:

DMX Channel	Function
Start Address	Centre spot: PWM dimming
Start Address + 1	Centre Spot: CC Adjust
Start Address + 2	Halo ring: Red
Start Address + 3	Halo ring: Green
Start Address + 4	Halo ring: Blue
Start Address + 5	Halo ring: White

The second DMX channel (Centre spot: CC adjust) provides an alternative way to dim the centre spot without using Pulse Width Modulation (as used by the first channel). The CC adjust method varies the constant current supply to the emitter (more akin to an analogue fader), thereby eliminating any chance of PWM flicker in certain applications, particularly at low intensity levels.

Specifications are subject to change without notice.

Dimensions



Specifications are subject to change without notice.