

SUPER LED F7rp



DATASHEET

DeSisti

SUPER LED F7rp

LED Fresnel Spotlight 160W - CRI>96
White light, either Tungsten or Daylight balanced

OVERVIEW

The Super LED F7rp is a high efficiency Fresnel lens spotlight using the innovative High Power 160W COB (Chip on Board) LED ARRAY, in combination with the DE SISTI Internationally Patented optical system for LED FRESNEL, an enhanced CRI (Color Rendering Index) higher than 95 for appropriate chromacity performances and the IP23 rain protection makes it ideal for location work. The Lighting Fixture is DMX Controlled from 0 to 100% with a super smooth Dimming and a negligible variation of Colour Temperature while controlling the Light intensity.

The F7 is available with either Tungsten (3.200°K) or Daylight (5.600°K) Balanced CCT (Correlated Color Temperature), in both cases with a CRI higher than 96 and both in Manual or Pole operated versions.

The lighting Performances of the Tungsten Balanced CCT from medium to full flood are similar to those of a 1500W tungsten Fresnels, while the Daylight Balanced CCT is greater than a 575W HMI. The fixture combines the classical SPOT/FLOOD beam control on an equivalent FOCUS RANGE to a conventional lamp fresnel, with an excellent barn door cutting.

It utilizes Standard accessories from the DE SISTI range of equivalent Fresnel Lens size, such as Barndoor, Color Frame, Cones, Scrims.

MODEL	DESCRIPTION
F7Trp.MO	Super LED F7rp T - Tungsten CCT, Manual Operated
F7Trp.PO	Super LED F7rp T - Tungsten CCT, Pole Operated
F7Drp.MO	Super LED F7rp D - Daylight CCT, Manual Operated
F7Drp.PO	Super LED F7rp D - Daylight CCT, Pole Operated



WHAT'S INSIDE

FIXTURE HEAD

175 mm. (7") diameter Fresnel lens
Bottom Skid on Shock Absorbers
POWERCON TRUE 1 IN & OUT PANEL CONNECTORS.
XLR 5 Pin DMX IN & OUT PANEL CONNECTORS.
160W high power CRI>96
Built In Universal Power Supply 90-250V
50/60Hz DMX controlled.

YOKES

Manual Operated Versions

Mod. LT310.110.40 M.O. stirrup with 28,57 mm (B.S. 1 1/8") with top end for "C" clamp

Pole Operated Versions

Mod. 311.110.40 P.O. yoke with 28,57 mm. spigot (B.S. 1 1/8"), with top end for "C" clamp

ACCESSORIES

Mod. 316.100 four leaf rotating barndoor
Mod. 317.100 color frame

CABLES

Mod. 5403.435 3 mt. (9.8 ft) detachable Mains cable w/ PowerCON TRUE 1 mod. NAC3FX-W and other bare end.

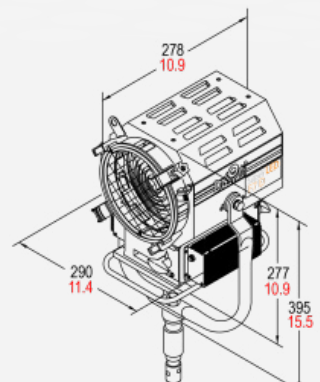
DMX cable is not included, to be ordered separately

SUPER LED F7_{rp}

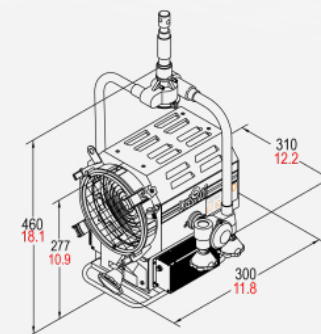
FEATURES

Power to LED	160W - DC current to the LED - flicker free
Rated Voltage & PFC	90-250V 50-60Hz PFC 0,96
Power consumption	180W @ 230V 180W @120V
Power Connection	powerCON TRUE 1 IN & OUT
DMX Data link USITT DMX512-A	5-pin XLR for DMX in & out. Use shielded data cables. Do not overload the daisy chain. Up to a maximum of 32 devices can be used on a single DMX chain.
DMX Channels	1 @ 8bit 2 @ 16bit
LED ARRAY Lifetime	50.000 hours with 70% Lumen Maintenance. The LED ARRAYS are tested and certified up to LM80
CCT	T: 3.200°K D: 5.600°K
CRI / TLCI	T: 97 / 96 D: 96 / 97
Protection Type	IP23 (Rain Protection)
Max. Housing Surface Temperature	70° C
Weight of Fixture	M.O. 9.4 Kg (20.7 lb) P.O. 10,7 Kg (23.6 lb)
Weight of Barndoor	4 leaf 0,63 Kg (1.39 lb) 8 leaf 0,85 Kg (1.87 lb)
Weight of color frame	0,13 Kg (0.29 lb)
Barndoor ring diameter	Seat: 192mm / 7 3/4" - Accessory: 190mm / 7 1/2"
Scrims & color frame diameter	Seat 187mm / 7 1/3" - Accessory: 185mm / 7 1/4"
Lens diameter	175mm / 7"

DIMENSION



M.O.



P.O.

FEATURES

175 mm. (7") diameter high quality, shock resistant Borosilicate glass Fresnel lens on spring supports.

Rugged and lightweight Carbon Steel Housing with low glare black epoxy powder coating and reinforces internal double walls.

High efficiency Self Stabilizing Active Cooling: automatic, thermal stabilization of the LED operating temperature is managed by an internal thermal sensor and CPU, variable speed fan and heat sink to maintain the LED Array's constant temperature at a maximum of 65°C. The hydro dynamic bearing fan operates silently with a very low RPM.

Special Patented Optics for LED Technology.

Helix Screw driven focus mechanism which guides Teflon bushings supported LED ENGINE along 2 rods. This ensures smooth operation during focusing in any tilting position of the fixture. The Teflon bushings also provide a wiping action, which cleans the steel guide rails during focus.

The unit is equipped with a hinged lens door and wire guard. One of the 4 accessory brackets has a spring loaded locking knob to safely secure external accessories.

Accessories have been designed for one hand installation.

Available with either positive lock manual yokes for comfort and ease of handling, or pole operated yokes which can be used via the lighting pole for Panning and Tilting the lights as well as manually, since the mechanical activators are equipped with clutches.

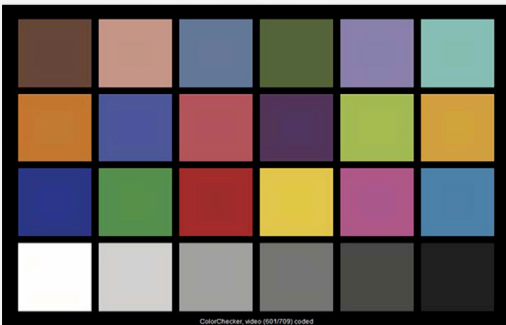
IP23 rating, the unit could work under the rain.

SUPER LED F7_{rp}

TLCI

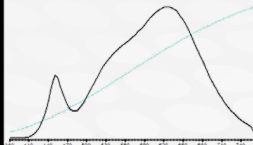
TUNGSTEN CCT

De Sisti SUPER LED F7 - 160W - Tungsten : CCT = P3025 (+0.2)
TLCI-2012: 96 (P3025)



Television Lighting Consistency Index-2012

Sector	Lightness	Chroma	Hue
R	0	0	0
RY	0	0	--
Y	0	-	--
YG	0	-	0
G	0	0	+
G/C	0	0	+
C	0	0	++
C/B	+	0	-
B	0	-	--
B/M	+	+	+
M	0	0	+++
M/R	+	0	++



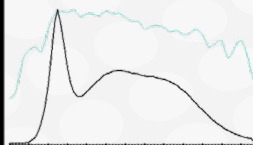
DAYLIGHT CCT

De Sisti SUPER LED F7 - 160W - Daylight : CCT = D5750 (+1.1)
TLCI-2012: 97 (D5750)



Television Lighting Consistency Index-2012

Sector	Lightness	Chroma	Hue
R	0	0	0
RY	0	0	--
Y	0	-	--
YG	0	0	0
G	0	0	0
G/C	0	0	0
C	+	0	-
C/B	+	0	---
B	0	-	--
B/M	0	0	+
M	0	0	+
M/R	+	0	+



PHOTOMETRICS

// SUPER LED F7 RP

Central Light intensity (Candle Power)

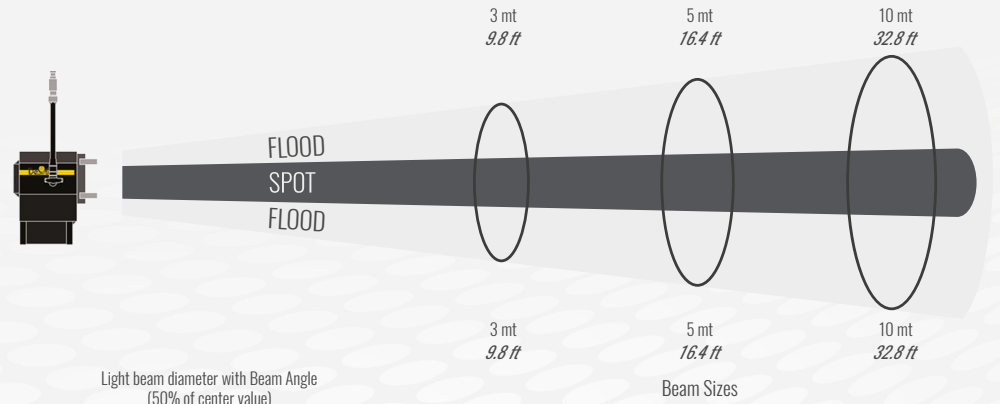
Illumination center values at Distances

3.200°K TUNGSTEN BALANCED C.C.T. (Correlated Color Temperature) - 160W (CRI 97) - TLCI: 96

	Central Light intensity (Candle Power)	3m	5m	10m
FLOOD	18.274 cd	2.030 lux <i>189 FC</i>	731 lux <i>68 FC</i>	183 lux <i>17 FC</i>
SPOT	77.043 cd	8.560 lux <i>795 FC</i>	3.082 lux <i>286 FC</i>	770 lux <i>72 FC</i>

5.600°K DAYLIGHT BALANCED C.C.T. (Correlated Color Temperature) 160W (CRI 96) - TLCI: 97

	Central Light intensity (Candle Power)	3m	5m	10m
FLOOD	20.304 cd	2.256 lux <i>210 FC</i>	812 lux <i>75 FC</i>	203 lux <i>19 FC</i>
SPOT	81.098 cd	9.011 lux <i>837 FC</i>	3.244 lux <i>301 FC</i>	811 lux <i>75 FC</i>



	Beam Angle	3m	5m	10m
FLOOD	53°	2,99 mt <i>9.8 ft</i>	4,99 mt <i>16.4 ft</i>	9,97 mt <i>32.7 ft</i>
SPOT	13°	0,68 mt <i>2.2 ft</i>	1,14 mt <i>3.7 ft</i>	2,28 mt <i>7.5 ft</i>

	Field Angle	3m	5m	10m
FLOOD	69°	4,12 mt <i>13.5 ft</i>	6,87 mt <i>22.5 ft</i>	13,75 mt <i>45.1 ft</i>
SPOT	22°	1,17 mt <i>3.8 ft</i>	1,94 mt <i>6.4 ft</i>	3,89 mt <i>12.8 ft</i>

LUX AT ANY DISTANCE = Candle Power: [Distance(in m.)]²

FC. AT ANY DISTANCE = Candle Power: [Distance(in ft)]²

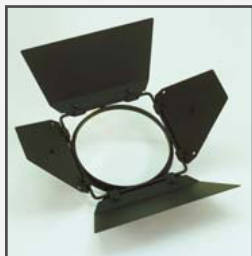
SUPER LED F7_{rp}

POWER AND DMX DAISY CHAIN, IP Rated

The Super LED FRESNELS permit both POWER and DMX DAISY CHAIN. In fact each Fixture is respectively equipped with:

DMX SECTION: XLR5 pin Panel Mount Male & Female (DMX IN & OUT with covers for IP rating).

MAINS SUPPLY with PowerCON TRUE1: The powerCON TRUE1 are connectors with breaking capacity (CBC), i.e. they can be connected or disconnected under load or live, 16A max. The connectors and covers are rated IP65.



OPTIONALS & ACCESSORIES

F7Xrp.XO.DIN	<i>add code to order DIN Spigot</i>
305.310	<i>Stainless Steel wire guard</i>
316.100	<i>Four leaf rotating barndoor</i>
316.200	<i>Eight way rotating barndoor</i>
317.100	<i>Color Frame</i>
318.100	<i>Cone with two discs (with front aperture diameter: 70 mm. 50 mm. 30 mm.)</i>
319.100	<i>Set of scrims - Stainless steel</i>
319.101	<i>Full single scrim - Stainless steel</i>
319.102	<i>Full double scrim - Stainless steel</i>
319.103	<i>1/2 single scrim - Stainless steel</i>
319.104	<i>1/2 double scrim - Stainless steel</i>
91.210	<i>Aluminum black painted "C" clamp to hang fixtures overhead and for mounting on pipe with diameters up to 52 mm. (2"), with safety pin (no adapters)</i>
93.102	<i>Extruded black "C" clamp with M 12 threaded stud</i>
93.103	<i>Extruded black "C" clamp with M 10 threaded stud</i>
20.100	<i>Safety cable 800 mm. long with 4 mm. diameter steel rope and safety catch.</i>
LT310.110.40	<i>Steel tube Manual Operated stirrup with 28,57 mm. spigot (B.S. 1 1/8"), with top end for attachment to "C" clamp.</i>
LT310.300.40	<i>Steel tube Manual Operated stirrup with 28,00 mm. spigot (D.I.N 1 1/9")</i>
LT310.220.40	<i>Steel tube Manual Operated stirrup with M 12 Threaded hole</i>
311.110.40	<i>Pole operated stirrup with 28,57 mm. spigot (B.S. 1 1/8"), with top end for attachment to "C" clamp.</i>
311.300.40	<i>Pole operated stirrup with 28,00 mm. spigot (D.I.N 1 1/9")</i>