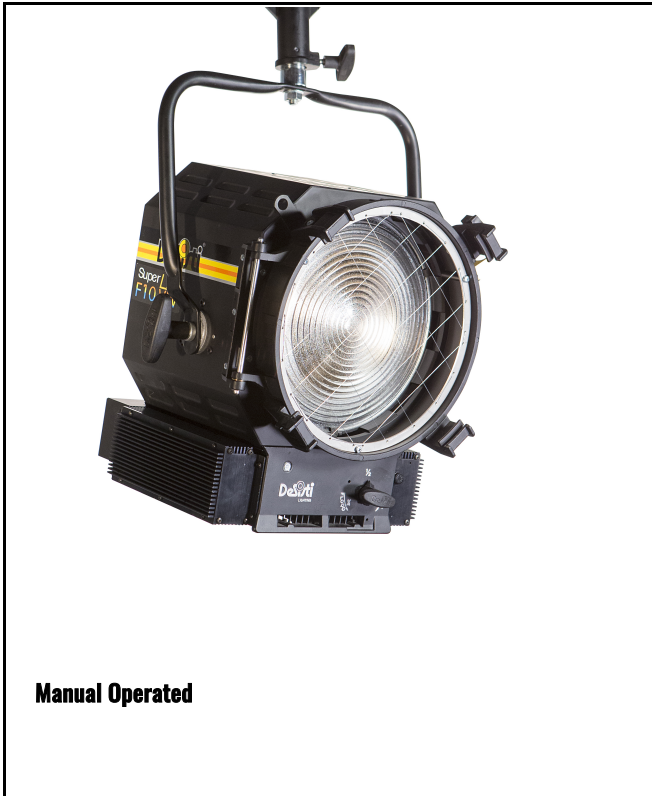


SUPER LED F10 VW Vari-White

120W Vari-White from 2.750 to 6.900 °K - Enhanced CRI > 94

White light, with Adjustable Correlated Colour Temperature

INSTRUCTION MANUAL



MANUFACTURER

REPRESENTATIVE

ILT Italy S.r.l.
Via Cancelliera # 10a, 00041 Albano Laziale (Rome- Italy).
Tel. +39/06/902901 Fax. +39/06/90231051
www.desisti.itE-mail: desisti@desisti.it

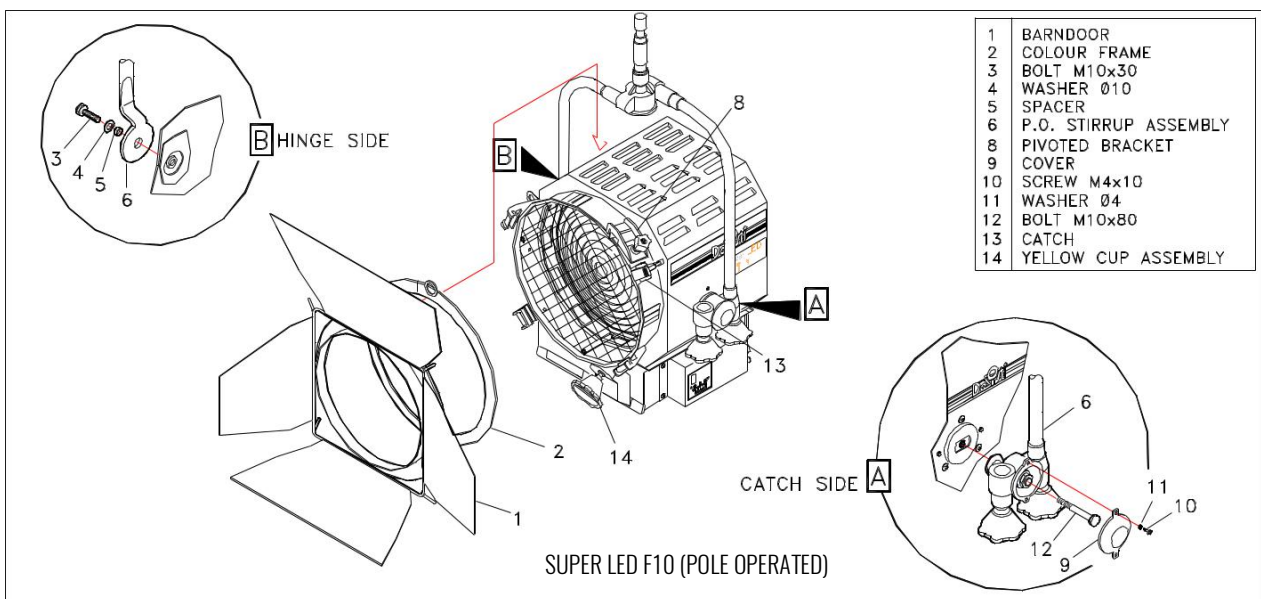
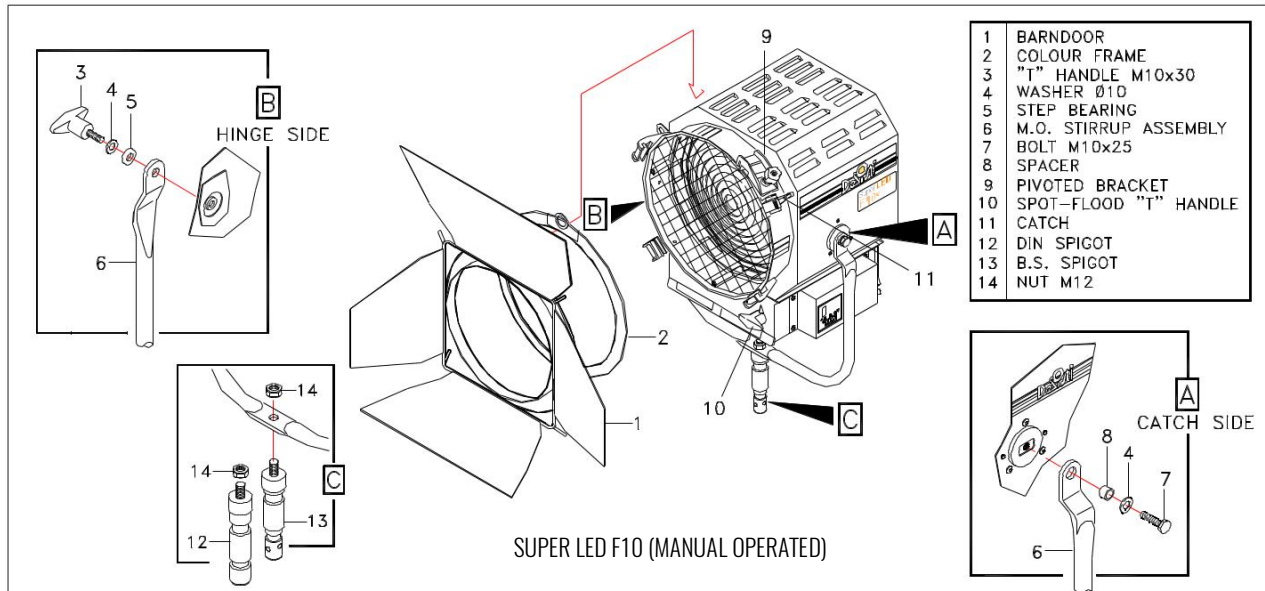
1. INTRODUCTION



Congratulations on your purchase of a SUPER LED F10 Vari White lighting fixture.

The SUPER LED F10 VW is a compact, highly efficient Fresnel lens spotlight using a LED ARRAY combined with the DE SISTI Patented optical system to optimize the photometric performances of LED ARRAYS when utilized in combination with either Fresnels or Plano Convex lenses. The Lighting Fixture is DMX Controlled and includes a number of parameters that can be set locally, it is equipped with power supply for AC universal feed 90/240V 50/60Hz and feature variable CCT from Tungsten to Daylight with high power and high CRI. It utilizes Standard accessories from the DE SISTI range of equivalent Fresnel Lens size, such as Barndoor, Colour Frame, Cones, scrims.

2. YOKE AND ACCESSORIES ASSEMBLY



3. POWER AND DMX DAISY CHAIN



The SUPER LED F10 VW permits both POWER and DMX DAISY CHAIN.

In fact each Fixture is respectively equipped with:

For DMX:

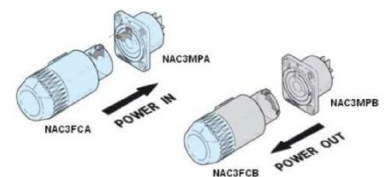
1 XLR5 pin Panel Mount Male (DMX IN)

1 XLR5 pin Panel Mount Female (DMX OUT)

For Mains Supply

1 20A Powercon NAC3MPA BLUE (POWER IN)1

1 20A Powercon NAC3MPB WHITE (POWER OUT)



It is recommended to Daisy Chain a Max of 10 fixtures, even if the limitations imposed by DMX Standards are for an higher q.ty of units and even if the Powercon Connections are rated for 20A max.

4. CHARACTERISTICS AND PERFORMANCE DATA

| DESCRIPTION | VALUE | DESCRIPTION | VALUE | |
|---------------------------------|---------------------------------------------------------------------------------------------------------------------------------------------------------------------------------------|-----------------------------------------|----------------------|----------------------|
| LED Power | 200 W | Protection Type | IP22 | |
| Power Consumption | 220 W @ 230V (50-60 Hz) | Max Housing temperature | 70° C | |
| | 230 W @ 120V (50-60 Hz) | | | |
| DMX Data Link USITT DMX512-A | This product uses a 5-pin XLR for DMX input and output. Use a shielded data cables. Do not overload the daisy chain. Up to a maximum of 32 devices can be used on a single DMX chain. | Weight of Fixture | M.O. | P.O. |
| | | | 13,5 kg. | 14,8 kg. |
| DMX Channels | Total 4 DMX Channels: Dimmer / Light Intensity 16 BITù Base : Dimmer Gross Base +1: Dimmer Fine Base +2: CCT Control Base +3: CCT Control Mode | Weight of barndoor | 4 leaf | 8 leaf |
| | | | 1,4 kg. | 1,65 kg |
| Protection class | Class 1- ground connection required | Size of scrims & color frame | Seat Diameter | Acc.ies Diameter |
| | | | 306 mm. | 305 mm (12") |
| Lens diameter | 250 mm. | Size of barndoor ring | Seat Diameter | Ring Diameter |
| | | | 314 mm. | 313 mm. |

Specifications subject to change without notice.

5. SAFETY INSTRUCTIONS

Professional use: This luminaire has been designed for professional use and must be operated by qualified personnel only. Not for residential use.

Grounding: **WARNING: THIS LUMINAIRE MUST BE GROUNDED**




WARNING:
Disconnect Power CORDS before
any maintenance work or opening the FUSE HOLDER.
RISK OF SERIOUS INJURY.

Electrical connections: **IMPORTANT** The cores in this mains lead are colored in accordance with the following code:

| | Europe | America |
|----------------|----------------|-------------------------|
| Ground | Green & yellow | Green or green & yellow |
| Neutral | Blue | White |
| Live | Brown | Black |

In case the colors of the cores do not correspond to the colors of the connection points on your plug, please proceed as follows:

- the green or green and yellow core must be connected to the connection point marked with the letter E or with the symbol  or colored in green or in green - yellow;
- the blue (or white) core must be connected to the connection point marked with the letter N or colored in black;
- the brown (or black) core must be connected to the connection point marked with the letter L or colored in red.

Working conditions

| | | | | |
|---------------------------------------------------------------------|---------------------------------------------------------------|--------|--------|---------|
| Working Position | Lighting fixture: max. tilting $\pm 90^\circ$ from horizontal | | | |
| Ambient temperature, t_a at the place of installation and storage | Minimum 10°C , maximum $+40^\circ\text{C}$ | | | |
| Humidity at the place of installation and storage | 25-80% (not condensing) | | | |
| Minimum distances from inflammable surfaces | Top | Back | Sides | Front |
| | 0,2 m. | 0,1 m. | 0,1 m. | 0,75 m. |

The luminaire should never be OPERATED close to inflammable materials. The ones indicated in the above table are the minimum distances recommended. Other requirements for safe use are:

- A. Do not cover the apertures of the luminaire housing. They are essential for correct ventilation
- B. Use only original accessories and spares from De Sisti Lighting.
- C. Before hanging the luminaire ensure that the suspension point (or the stand) is properly rated to accept the luminaire weight.
- D. In case of pole operated use, fit only a P.O. stirrup from De Sisti Lighting.
- E. A suitable secondary safety suspension device (safety cable, chain or equivalent) must be fitted between the suspension point and the eyelet at the front of the body

WARNING : DO NOT MOUNT THE LUMINAIRE ON A NORMALLY FLAMMABLE SURFACE.

6. INSTALLATION INSTRUCTIONS

The following procedure should be adopted:

Before connecting the luminaire to the electrical mains ensure that:

- A. Earth line is present on the power socket.
- B. The mains voltage is within the rated range of the luminaire (see technical data on the rating label)
- C. The front safety shield is present and in good condition. It consists of a Fresnel lens made by borosilicate un-toughened glass, with a Diameter = 150 mm , thickness = 5 mm type (3 min)



WARNINGS :

- Do not operate the product if the ambient temperature exceeds 40°C
- Provide a minimum clearance of 0,1m (4 in.) around fans and air vents.
- Shields, lenses safety or dichroic glasses shall be changed if they have become visibly damaged to such an extent that their effectiveness is impaired, for example by cracks or deep scratches.
- The luminaire shall only be used complete with its protective shield

- D. Applying power: never connect to dimmer power. Install a power plug on the power cable using the following pin assignment:

1 : Neutral

2 : Live Green/Yellow : Ground - This fixture must be connected to ground.

Make sure the local power voltage is within the range specified. If so; connect the power cable and turn the power on.

- E. Stand Alone operation:

Using the navigation buttons and display readout (refer to the "Local Menu" chapter)navigate to Manual and set the desired intensity (for additional operations see "Local Menu" chapter)

- F. DMX operation:

Connect DMX cable.

Navigate to Address mode (Addr) and set the desired address, (refer to the "Local Menu" chapter). Connect to DMX controller (refer to the "Channel Setting" in the "Local Menu" chapter) and Use it.

7. LOCAL MENU

The SUPER LED F10 VW has a GRAPHIC DISPLAY backlight, with two local knobs, each one having a push/click function in addition to the rotation:



KNOB 1

It is as a DEFAULT the CCT Variation Knob, By rotating it clockwise the CCT Changes from 2.750°K up to 6.900 °K. If such a knob is kept pushed, it provides a FAST ACTION on the KNOB 2 which is normally the DIMMING



Display

It is a Graphic, backlit LCD Display. It contains all the relevant information for the product setup and performances, such as CCT, DMX Address, DMX Level, LED Temperature and local dimming. When the local knobs are not used for more than 5 seconds the display back illumination will go OFF and the display itself will go in STAND BY Mode. It will go ON again anytime a KNOB is activated.

KNOB 2

It is as a DEFAULT the DIMMING Variation Knob, By rotating it clockwise the Dimming of the Light Changes from Up to Full Light Output. If such a knob is pushed, it has the selection or enter function to, for instance, enter into a Menu

DEFAULT SETTINGS ARE INDICATED IN BOLD LETTERS ON THE FOLLOWING TABLE:

The following are the BASIC FUNCTIONS and COMMANDS that are provided on the LOCAL MENU of the LED FRESNEL. The unit is provided with a USER MENU accessible instantly on the product.

1st menu displaved



2nd menu displaved



Exolanation of each menu function

DMX ADDRESS

This Function is to SET the **DMX address** from 1 to 512
The Product is delivered with a default setting of the DMX address at 1.

As indicated next to each picture, it is required to reach the DMX addr Menu, select the preferred base DMX Address and Select it.

Once the **DMX Address** is SET, in order to return to the **MAIN MENU**, it is necessary to rotate **KNOB 2** counter-clock-wise to return to the **EXIT** item and then select it by pressing **KNOB 2** itself.

| DMX CIRCUITS Function | Base | Base + 1 | Base + 2 | | Base + 3 | | | | | | | | | | | | | | | | | | | | | | | | | | | | | | | | | | | | | |
|------------------------------------------------------------------|-----------------|----------|---------------------------------------------------------------------------------------------------------------|---------------------------------------------------------|-------------------------------------------------------------------------------------------------------------------------------------------------------------------------------------------------------------------------------------------------------------------------------------------------------------------------------------------------------------------------------------------------------------------------------------------------------------------------------------------------------------------------------------------------------------------------------------------------------------------------------------------------------------------------------------------------------------------|------------|-----|------|----|----|-----|---------|-----|-----|---------|-----|-----|---------|-----|-----|---------|-----|-----|---------|-----|-----|---------|-----|-----|---------|-----|-----|---------|-----|-----|---------|-----|-----|---------|------|--|---------|
| | Dimmer (16 Bit) | | CCT adjustment | | CCT Mode Setting | | | | | | | | | | | | | | | | | | | | | | | | | | | | | | | | | | | | | |
| | Gross | Fine | | | | | | | | | | | | | | | | | | | | | | | | | | | | | | | | | | | | | | | | |
| These two DMX Circuits must be set in 16 Bit Mode on the console | | | | | | | | | | | | | | | | | | | | | | | | | | | | | | | | | | | | | | | | | | |
| | | | LINEAR MODE DMX Base + 3 set from 0 to 50% | STEP MODE DMX Base + 3 set from 51 to 100% | | | | | | | | | | | | | | | | | | | | | | | | | | | | | | | | | | | | | | |
| | | | In LINEAR MODE the increment for each 1% of DMX Level increase is approximately 41,5°K, starting from 2.750°K | | | | | | | | | | | | | | | | | | | | | | | | | | | | | | | | | | | | | | | |
| | | | | | <table border="1"> <thead> <tr> <th>DMX values</th> <th>CCT</th> </tr> <tr> <th>from</th> <th>to</th> </tr> </thead> <tbody> <tr><td>0%</td><td>10%</td><td>2.750°K</td></tr> <tr><td>11%</td><td>20%</td><td>2.880°K</td></tr> <tr><td>21%</td><td>30%</td><td>3.000°K</td></tr> <tr><td>31%</td><td>40%</td><td>3.200°K</td></tr> <tr><td>41%</td><td>50%</td><td>3.500°K</td></tr> <tr><td>51%</td><td>60%</td><td>4.000°K</td></tr> <tr><td>61%</td><td>70%</td><td>4.500°K</td></tr> <tr><td>71%</td><td>80%</td><td>5.000°K</td></tr> <tr><td>81%</td><td>90%</td><td>5.600°K</td></tr> <tr><td>91%</td><td>99%</td><td>6.000°K</td></tr> <tr><td>100%</td><td></td><td>6.900°K</td></tr> </tbody> </table> | DMX values | CCT | from | to | 0% | 10% | 2.750°K | 11% | 20% | 2.880°K | 21% | 30% | 3.000°K | 31% | 40% | 3.200°K | 41% | 50% | 3.500°K | 51% | 60% | 4.000°K | 61% | 70% | 4.500°K | 71% | 80% | 5.000°K | 81% | 90% | 5.600°K | 91% | 99% | 6.000°K | 100% | | 6.900°K |
| DMX values | CCT | | | | | | | | | | | | | | | | | | | | | | | | | | | | | | | | | | | | | | | | | |
| from | to | | | | | | | | | | | | | | | | | | | | | | | | | | | | | | | | | | | | | | | | | |
| 0% | 10% | 2.750°K | | | | | | | | | | | | | | | | | | | | | | | | | | | | | | | | | | | | | | | | |
| 11% | 20% | 2.880°K | | | | | | | | | | | | | | | | | | | | | | | | | | | | | | | | | | | | | | | | |
| 21% | 30% | 3.000°K | | | | | | | | | | | | | | | | | | | | | | | | | | | | | | | | | | | | | | | | |
| 31% | 40% | 3.200°K | | | | | | | | | | | | | | | | | | | | | | | | | | | | | | | | | | | | | | | | |
| 41% | 50% | 3.500°K | | | | | | | | | | | | | | | | | | | | | | | | | | | | | | | | | | | | | | | | |
| 51% | 60% | 4.000°K | | | | | | | | | | | | | | | | | | | | | | | | | | | | | | | | | | | | | | | | |
| 61% | 70% | 4.500°K | | | | | | | | | | | | | | | | | | | | | | | | | | | | | | | | | | | | | | | | |
| 71% | 80% | 5.000°K | | | | | | | | | | | | | | | | | | | | | | | | | | | | | | | | | | | | | | | | |
| 81% | 90% | 5.600°K | | | | | | | | | | | | | | | | | | | | | | | | | | | | | | | | | | | | | | | | |
| 91% | 99% | 6.000°K | | | | | | | | | | | | | | | | | | | | | | | | | | | | | | | | | | | | | | | | |
| 100% | | 6.900°K | | | | | | | | | | | | | | | | | | | | | | | | | | | | | | | | | | | | | | | | |



CHANNEL SETTING (RESOLUTION & FUNCTION)

This function is to SET THE DIMMING RESOLUTION either at 8 bits or at 16 bits. Select DMX resol by rotating and pushing KNOB2, the following choices are available:
 - 8 bits resolution (the display will show 8 bit). The fixture utilizes 1 DMX Circuit for the Light Dimming, which is the BASE CIRCUIT set in the ADDRESS.
 - 16 bits: 16 bits resolution (the display will show 16 bit and this is the default setting). The fixture utilizes 2 DMX Circuits:
 The Base Circuit set in the address is the Coarse Dimming, the second Circuit (Base +1) is the Fine Dimming.
 Of course the benefit of the 16 bits function the corresponding circuits on the DMX Lighting Board shall also be set at 16 bits.
 The DMX channels Base +2 and Base +3 are dedicated to the CCT Variation Control as described previously.

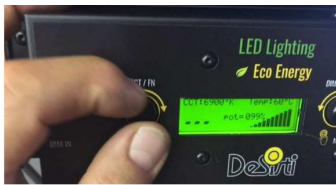


When the DISPLAY is in STAND BY Mode, please rotate KNOB 2 to act on the LIGHT INTENSITY Dimming. Clock Wise to increase the level and Counter Clock Wise to decrease it. Fine control:

For faster Dimming Control keep KNOB 1 pressed and rotate KNOB 2:
 1 full TURN of the KNOB 2 = 40% Dimming Variation

LOCAL DIMMING CONTROL

This function is to LOCALLY DIM THE LED INTENSITY from 0 to 100% (Product is delivered with default setting of the Dimmer at 0) the right knob is doing the dimming action and it goes with a fine tuning in normal condition, or a fast dimming when rotating KNOB 2 while keeping KNOB 1 pressed in



LOCAL CORRELATED COLOR TEMPERATURE CONTROL

This function is to LOCALLY ADJUST the CORRELATED COLOR TEMPERATURE from 2.750°K to 6.900°K (Product is delivered with default setting of the CCT at 2750°K)

The rotation of KNOB 1 will determine CCT increments according to the following table (STEP MODE)

If a continuous CCT Adjustment is required (LINEAR MODE) it is necessary to operate through a DMX Console: please see DMX parameters above

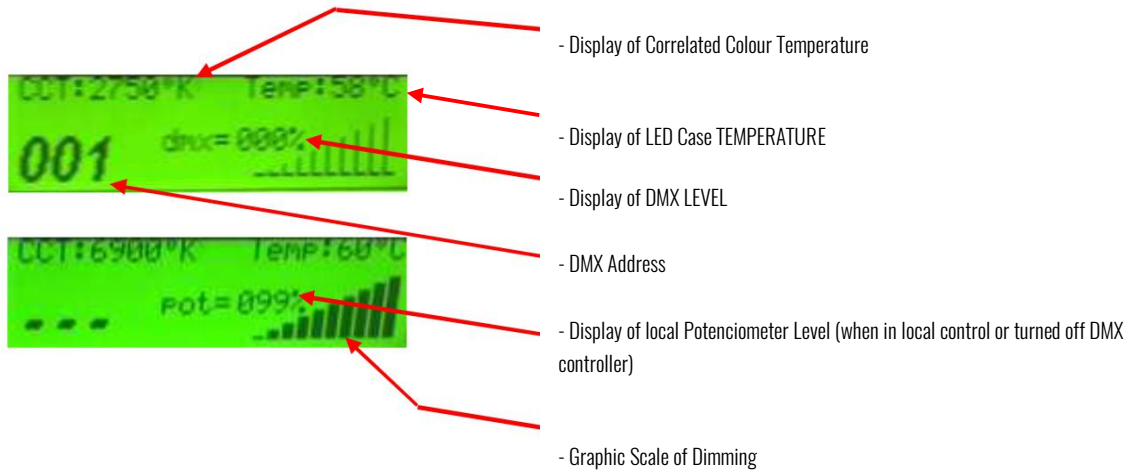
| CCT |
|---------|
| 2.750°K |
| 2.880°K |
| 3.000°K |
| 3.200°K |
| 3.500°K |
| 4.000°K |
| 4.500°K |
| 5.000°K |
| 5.600°K |
| 6.000°K |
| 6.900°K |



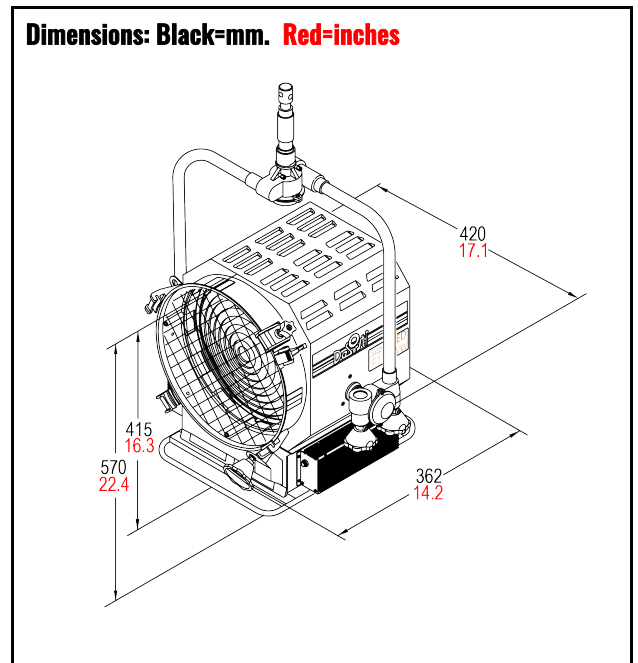
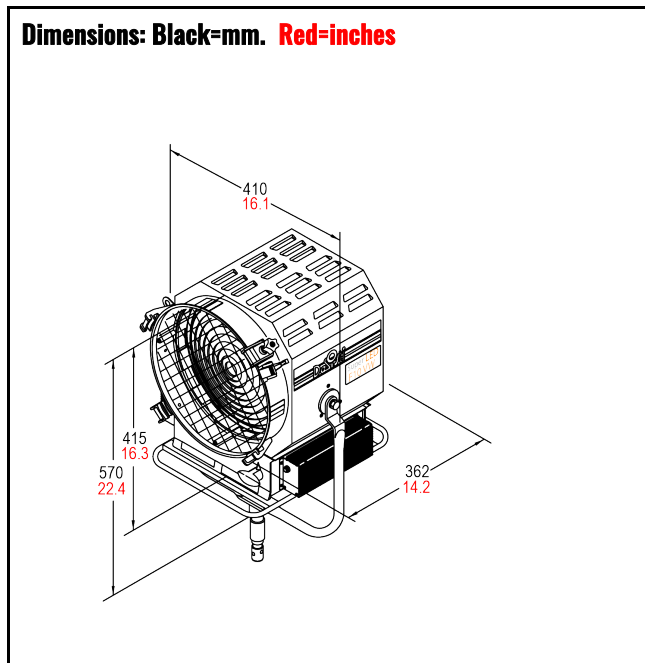
LOCAL OR REMOTE CONTROL SETTINGS

The LED Fresnel has the facility to block the LOCAL DIMMING and CCT SETTINGS and maintain it when the POWER is turned off and than on again. This allows for the LIGHT to be TUNED and FOCUSED locally and its dimming plus CCT level can be blocked, so that for instance a system lighting a SET can be operated by a remote switch or simple brakers by TURNING POWER ON. The machine is set to Auto save OFF as default: in this condition the Fixture can be controlled locally until a DMX device is connected to it. Once the Console will be acting it will take priority over any local control. To turn the Auto sve ON please follow these instructions:
 - rotate KNOB 2 and select Auto save OFF
 - press KNOB 2 to highlight the status of Auto save, in this case OFF
 - rotate KNOB 2 to turn the status of Auto save to ON and press it
 - leave the settings in this condition: the light will ignore any DMX Control. In this mode any local dimming setting will be maintained and will be automatically recalled after power off. when turnig the power on again.

INFORMATION PROVIDED ON THE DISPLAY



8. DIMENSIONS



9. PERIODIC INSPECTION & MAINTENANCE

This product requires very little routine maintenance, if any, but has special cleaning instructions: Disconnect fixture from power and allow it to cool for 10 min.

1. Vacuum or gently blow away any dust from fan blades and grills
2. Very gently clean the LED with Isopropyl alcohol.
3. Clean the lenses with a soft damp cloth.
4. Check the condition of the safety shield (see chapter: Installation Instructions) before every use.
5. Check Power supply cable and DMX control cable proper conditions

10. SAFETY STANDARDS

Europe: The product conforms the Applicable European Directives & Standards

Low Voltage Directive: **73/23/EEC (as amended by 93/68/EEC)**

EMC Directive: **89/336/EEC (as amended by 92/31/EEC & by 93/68/EEC)**

European Standards: **EN 60598-2-17, EN 60598-1, EN 55015, EN 61547**

Disposing of this product:

Help preserve the environment! Ensure that this product is recycled at the end of its life.

This product is in compliance with the RoHS and WEEE directives.