

**SOFT
LED**



DeSisti

2 available versions: Vari-White (VW) LED Version from 2800°K to 6600°K or single color Fixed White 3200°K or 5600°K

- *Wider softer beam*
- *High output*
- *Fully tunable*
- *Large aperture*
- *Ideal for multiple camera use*

- *Extremely high CRI and TLCI*
- *Manual or Pole operation available*
- *High efficiency silent passive cooling*

- *Self-contained PSU*
- *Easy connection*
- *Rugged and lightweight housing*
- *100% Flicker free operation*
- *No Pixel effect*

The De Sisti SoftLED Series offers a versatile soft source for studio and on location applications.



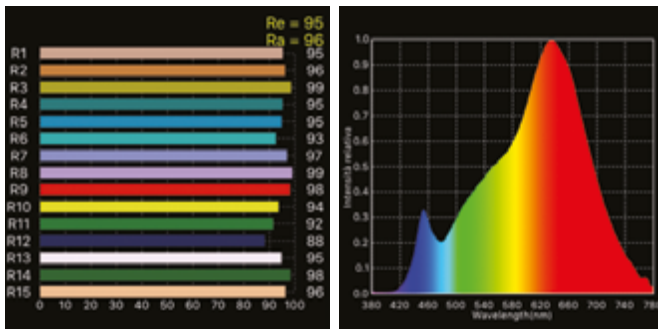
Available in 4 different sizes and wattages with self-contained PSU (no external unit needed)

Paint your scene in the white of your choice

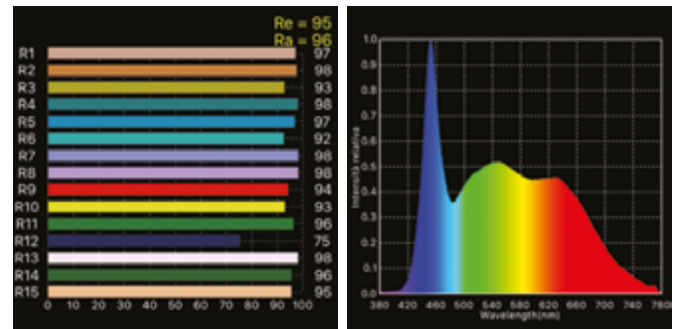
The SoftLED VW Series allows you to select specific color temperatures from 2800°K to 6600°K with CRI values >95 and enhanced spectrum color rendition.

TLCI value is higher than 96 which is a near-perfect performance with no color correction necessary.

For single white applications, the fixed white version is available in 3200°K or 5600°K.



Soft Vari-White Spectrum and R1-R15 histogram at 2700°K



Soft Vari-White Spectrum and R1-R15 histogram at 6500°K

The De Sisti SoftLED Series welcomes the new soft sources for studio and on location applications.



Available in 3 new different sizes and wattages with self-contained PSU (no external unit needed)

Versatility and output

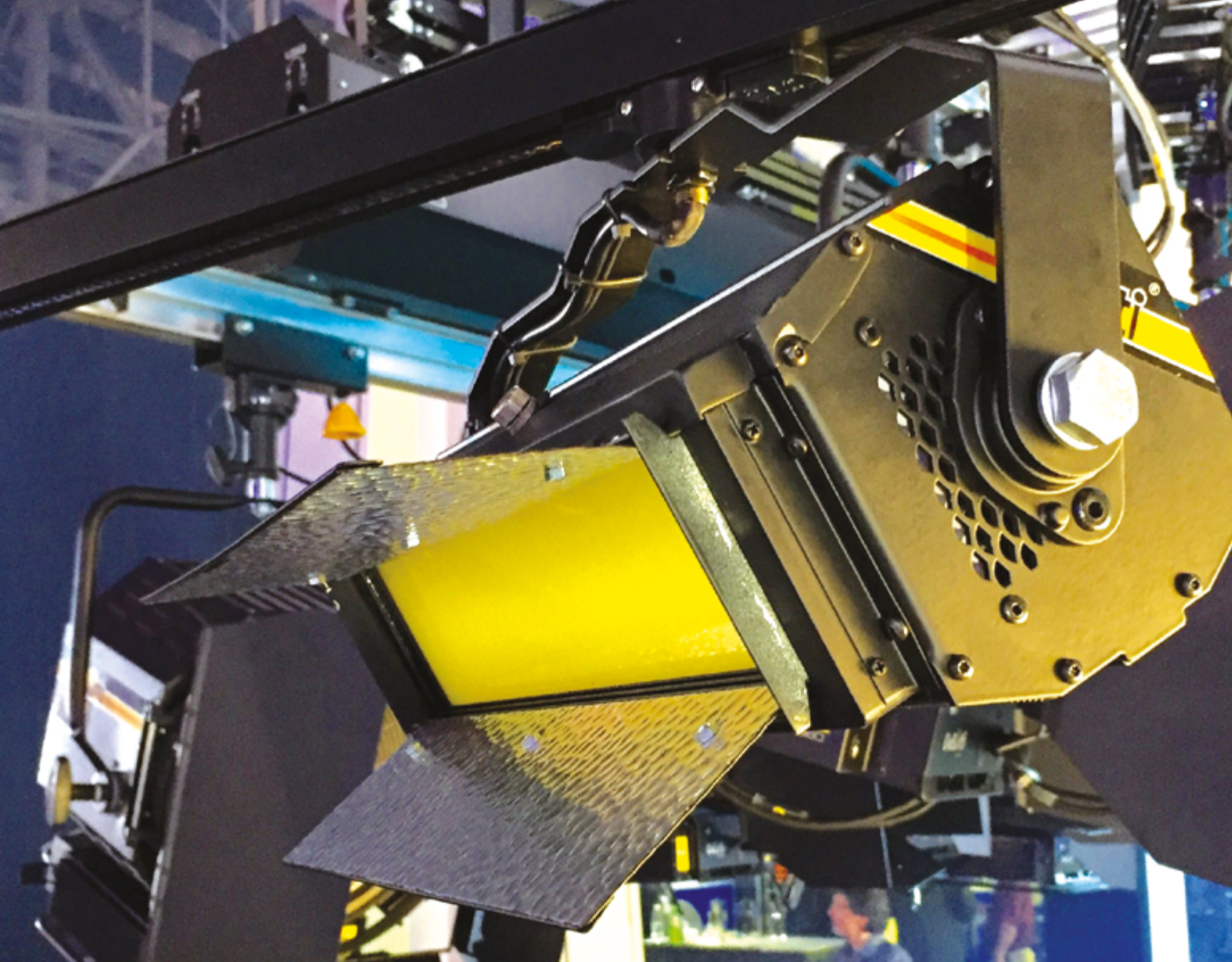
De Sisti SoftLED come in a wide range of sizes with enough power and output to allow you to have the proper fixtures for your set needs.

The rugged and lightweight Aluminum extrusion housing is made with a black oxidized low glare finish . This housing is highly impact resistant while still maintaining a user friendly feel.

Honeycombs and intensifier accessories work perfectly to shape and control the beam spread. DMX daisy chaining and Power Pass Through features allow for quicker installations of the lighting system.

DeSisti SoftLED 1 is available with D Track (Data/Power) adapters.





Functionality and Flexibility

The SoftLED is a 100% flicker free system with a universal power supply unit 90-250V that works in every condition and frame rate.

DMX (or local) control of the Light intensity from 0 to 100% with smooth transition and theatrical quality dimming.

High efficiency, silent passive heat management. Thermal stabilization of the LED operating temperature is managed by an internal thermal sensor and CPU, variable fan speed and heat sink to maintain the LEDs at optimal constant temperature.

Available with either positive lock manual yokes for comfort and ease of handling, or pole operated yokes for pan and tilt adjustment.





Photo by: Francesco Francia Model: Greta Galizi

EXCELLENT LIGHT EMISSION WITH FULL CONTROL IN YOUR HANDS. A beautifully EVEN DISTRIBUTION and quality projection with precise reference white. No pixel effect from the LED

// SoftLED1

Power to Led 60W

// P.O. VERSION
 Mod. S1VW.PO Vari-White
 Mod. S1T.PO Tungsten
 Mod. S1D.PO Daylight

// M.O. VERSION
 Mod. S1VW.MO Vari-White
 Mod. S1T.MO Tungsten
 Mod. S1D.MO Daylight



CHARACTERISTICS & PERFORMANCE DATA

DESCRIPTION	VALUE	
☛ Power to LED	60W Flicker Free	
☛ Power Consumption	Europe 72W @ 230 V 50-60 Hz	America 75W @ 120 V 50-60 Hz
	This product uses a 5-pin XLR for DMX input and output. Use a shielded data cables. Do not overload the daisy chain. Up to a maximum of 32 devices can be used on a single DMX chain.	
☛ DMX Data link USITT DMX512-A	2 for Remote Phosphors 4 for Vari-White	
☛ LED BARS Lifetime	50.000 hours with 70% Lumen Maintenance.	
☛ Protection Type	IP 22	
☛ Max. Housing Surface Temperature	70° C	
☛ Weight of Fixture with yoke	M.O.	P.O.
	3 kg. 6.6 lbs	4,2 kg. 9.2 lbs
☛ PFC Power Supply Integrated		

// SOFT LED 1



Vari-White at C.C.T. (Correlated Color Temperature) balanced to 2,800°K - 60W (CRI>95 - TLCI>96)

Illumination center values at the following distances

	2 mt 6.6 ft	3 mt 9.8 ft	5 mt 16.4 ft
SL1 VW at 2,800°K w/o Front Accessories Central Light Intensity (Candle Power)	1,593 cd 398 lux 37 FC	177 lux 16 FC	64 lux 6 FC
SL1 VW at 2,800°K with Medium Black H.Comb Central Light Intensity (Candle Power)	1,360 cd 340 lux 32 FC	151 lux 14 FC	54 lux 5 FC
SL1 VW at 2,800°K with Narrow Black H.Comb Central Light Intensity (Candle Power)	1,303 cd 326 lux 30 FC	145 lux 13 FC	52 lux 5 FC

Vari-White at C.C.T. (Correlated Color Temperature) balanced to 6,500°K - 60W (CRI>95 - TLCI>96)

Illumination center values at the following distances

	2 mt 6.6 ft	3 mt 9.8 ft	5 mt 16.4 ft
SL1 VW at 6,500°K w/o Front Accessories Central Light Intensity (Candle Power)	2,052 cd 513 lux 48 FC	228 lux 21 FC	82 lux 8 FC
SL1 VW at 6,500°K with Medium Black H.Comb Central Light Intensity (Candle Power)	1,752 cd 438 lux 41 FC	195 lux 18 FC	70 lux 7 FC
SL1 VW at 6,500°K with Narrow Black H.Comb Central Light Intensity (Candle Power)	1,679 cd 420 lux 39 FC	187 lux 17 FC	67 lux 6 FC

C.C.T. (Correlated Color Temperature) balanced to match 3,200°K TUNGSTEN LAMPS - 60W (CRI>95 - TLCI>96)
Illumination center values at the following distances

	2 mt 6.6 ft	3 mt 9.8 ft	5 mt 16.4 ft
SL1 Tungsten w/o Front Accessories Central Light Intensity (Candle Power)	1,653 cd 413 lux 38 FC	184 lux 17 FC	66 lux 6 FC
SL1 Tungsten with Medium Black H.Comb Central Light Intensity (Candle Power)	1,412 cd 353 lux 33 FC	157 lux 15 FC	56 lux 5 FC
SL1 Tungsten with Narrow Black H.Comb Central Light Intensity (Candle Power)	1,352 cd 338 lux 31 FC	150 lux 14 FC	54 lux 5 FC

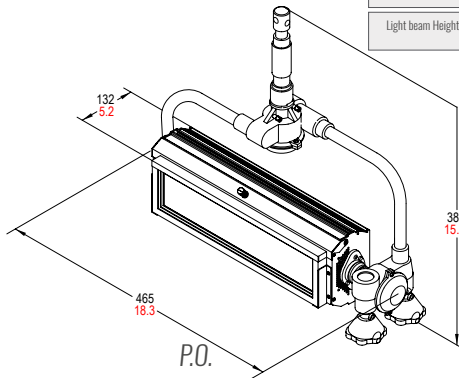
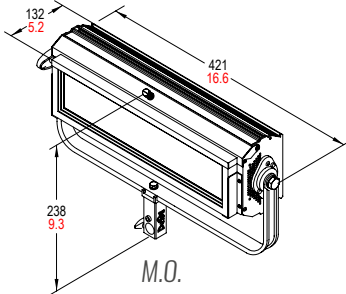
C.C.T. (Correlated Color Temperature) balanced to match 5,600°K DAYLIGHT LAMPS - 60W (CRI>95 - TLCI>96)

Illumination center values at the following distances

	2 mt 6.6 ft	3 mt 9.8 ft	5 mt 16.4 ft
SL1 Daylight w/o Front Accessories Central Light Intensity (Candle Power)	1,943 cd 486 lux 45 FC	216 lux 20 FC	78 lux 7 FC
SL1 Daylight with Medium Black H.Comb Central Light Intensity (Candle Power)	1,660 cd 415 lux 39 FC	184 lux 17 FC	66 lux 6 FC
SL1 Daylight with Narrow Black H.Comb Central Light Intensity (Candle Power)	1,590 cd 397 lux 37 FC	177 lux 16 FC	64 lux 6 FC

BEAM COVERAGE ON SOFT LED 1 - 60W

Light beam Width with Beam Angle w/o accessories	110°	5,71 mt 18.7 ft	8,57 mt 28.1 ft	14,28 mt 46.9 ft
Light beam Height with Beam Angle w/o accessories	96°	4,44 mt 14.6 ft	6,66 mt 21.9 ft	11,11 mt 36.4 ft
Light beam Width with Beam Angle with Medium Black H.Comb	60°	2,31 mt 7.6 ft	3,46 mt 11.4 ft	5,77 mt 18.9 ft
Light beam Height with Beam Angle with Medium Black H.Comb	55°	2,08 mt 6.8 ft	3,12 mt 10.2 ft	5,21 mt 17.1 ft
Light beam Width with Beam Angle with Narrow Black H.Comb	35°	1,26 mt 4.1 ft	1,89 mt 6.2 ft	3,15 mt 10.3 ft
Light beam Height with Beam Angle with Narrow Black H.Comb	35°	1,26 mt 4.1 ft	1,89 mt 6.2 ft	3,15 mt 10.3 ft



PHOTOMETRIC DATA

// SoftLED 1XL

Power to Led 120W

// P.O. VERSION
 Mod. S1XLVW.PO Vari-White
 Mod. S1XLT.PO Tungsten
 Mod. S1XLD.PO Daylight



// M.O. VERSION
 Mod. S1XLVW.MO Vari-White
 Mod. S1XLT.MO Tungsten
 Mod. S1XLD.MO Daylight



CHARACTERISTICS & PERFORMANCE DATA

DESCRIPTION	VALUE	
☛ Power to LED	120W Flicker Free	
☛ Power Consumption	Europe	America
	140W @ 230 V 50-60 Hz	150W @ 120 V 50-60 Hz
☛ DMX Data link USITT DMX512-A	This product uses a 5-pin XLR for DMX input and output. Use a shielded data cables. Do not overload the daisy chain. Up to a maximum of 32 devices can be used on a single DMX chain.	
☛ DMX Channels	2 for Remote Phosphors 4 for Vari-White	
☛ LED BARS Lifetime	50.000 hours with 70% Lumen Maintenance.	
☛ Protection Type	IP 22	
☛ Max. Housing Surface Temperature	70° C	
☛ Weight of Fixture with yoke	M.O.	P.O.
	4,1 kg.	5,3 kg.
☛ PFC Power Supply Integrated	9.0 lbs	11.7 lbs

// SOFT LED 1XL



Vari-White at C.C.T. (Correlated Color Temperature) balanced to 2,800°K - 120W (CRI>95 - TLCI>96)
Illumination center values at the following distances

	2 mt 6.6 ft	3 mt 9.8 ft	5 mt 16.4 ft
STXL VW at 2,800°K w/o Front Accessories Central Light Intensity (Candle Power)	4.103 cd 1,026 lux 95 FC	456 lux 42 FC	164 lux 15 FC
STXL VW at 2,800°K with Medium Black H.Comb Central Light Intensity (Candle Power)	3.504 cd 876 lux 81 FC	389 lux 36 FC	140 lux 13 FC
STXL VW at 2,800°K with Narrow Black H.Comb Central Light Intensity (Candle Power)	3.356 cd 839 lux 78 FC	373 lux 35 FC	134 lux 12 FC

Vari-White at C.C.T. (Correlated Color Temperature) balanced to 6,500°K - 120W (CRI>95 - TLCI>96)
Illumination center values at the following distances

	2 mt 6.6 ft	3 mt 9.8 ft	5 mt 16.4 ft
STXL VW at 6,500°K w/o Front Accessories Central Light Intensity (Candle Power)	5.449 cd 1,362 lux 127 FC	605 lux 56 FC	218 lux 20 FC
STXL VW at 6,500°K with Medium Black H.Comb Central Light Intensity (Candle Power)	4.653 cd 1,163 lux 108 FC	517 lux 48 FC	186 lux 17 FC
STXL VW at 6,500°K with Narrow Black H.Comb Central Light Intensity (Candle Power)	4.457 cd 1,114 lux 104 FC	495 lux 46 FC	178 lux 17 FC

C.C.T. (Correlated Color Temperature) balanced to match 3,200°K TUNGSTEN LAMPS - 120W (CRI>95 - TLCI>96)
Illumination center values at the following distances

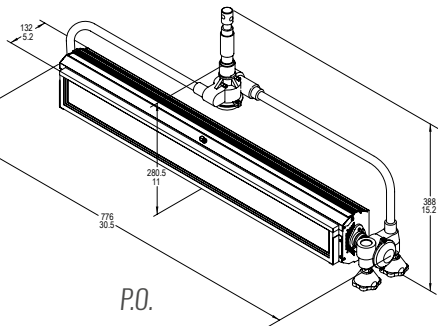
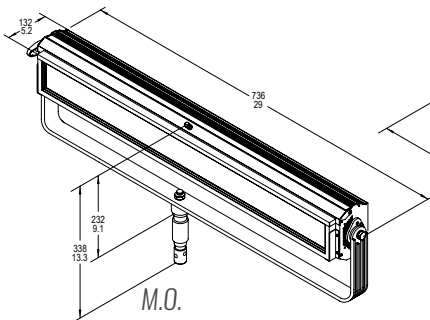
	2 mt 6.6 ft	3 mt 9.8 ft	5 mt 16.4 ft
STXL Tungsten w/o Front Accessories Central Light Intensity (Candle Power)	4.280 cd 1,070 lux 99 FC	476 lux 44 FC	171 lux 16 FC
STXL Tungsten with Medium Black H.Comb Central Light Intensity (Candle Power)	3.655 cd 914 lux 85 FC	406 lux 38 FC	146 lux 14 FC
STXL Tungsten with Narrow Black H.Comb Central Light Intensity (Candle Power)	3.501 cd 875 lux 81 FC	389 lux 36 FC	140 lux 13 FC

C.C.T. (Correlated Color Temperature) balanced to match 5,600°K DAYLIGHT LAMPS - 120W (CRI>95 - TLCI>96)
Illumination center values at the following distances

	2 mt 6.6 ft	3 mt 9.8 ft	5 mt 16.4 ft
STXL Daylight w/o Front Accessories Central Light Intensity (Candle Power)	5.436 cd 1,359 lux 126 FC	604 lux 56 FC	217 lux 20 FC
STXL Daylight with Medium Black H.Comb Central Light Intensity (Candle Power)	4.642 cd 1,161 lux 108 FC	516 lux 48 FC	186 lux 17 FC
STXL Daylight with Narrow Black H.Comb Central Light Intensity (Candle Power)	4.447 cd 1,112 lux 103 FC	494 lux 46 FC	178 lux 17 FC

BEAM COVERAGE ON SOFT LED 1XL - 120W

Light beam Width with Beam Angle w/o accessories	98°	4.60 mt 15.1 ft	6.90 mt 22.6 ft	11.50 mt 37.7 ft
Light beam Height with Beam Angle w/o accessories	60°	2.31 mt 7.6 ft	3.46 mt 11.4 ft	5.77 mt 18.9 ft
Light beam Width with Beam Angle with Medium Black H.Comb	60°	2.31 mt 7.6 ft	3.46 mt 11.4 ft	5.77 mt 18.9 ft
Light beam Height with Beam Angle with Medium Black H.Comb	50°	1.87 mt 6.1 ft	2.80 mt 9.2 ft	4.66 mt 15.3 ft
Light beam Width with Beam Angle with Narrow Black H.Comb	35°	1.26 mt 4.1 ft	1.89 mt 6.2 ft	3.15 mt 10.3 ft
Light beam Height with Beam Angle with Narrow Black H.Comb	30°	1.07 mt 3.5 ft	1.61 mt 5.3 ft	2.68 mt 8.8 ft



PHOTOMETRIC DATA

// SoftLED2

Power to Led 120W

// P.O. VERSION
 Mod. S2VW.PO Vari-White
 Mod. S2T.PO Tungsten
 Mod. S2D.PO Daylight

// M.O. VERSION
 Mod. S2VW.MO Vari-White
 Mod. S2T.MO Tungsten
 Mod. S2D.MO Daylight



CHARACTERISTICS & PERFORMANCE DATA

DESCRIPTION	VALUE	
➤ Power to LED	120W Flicker Free	
➤ Power Consumption	Europe	America
	140W @ 230 V 50-60 Hz	150W @ 120 V 50-60 Hz
➤ DMX Data link USITT DMX512-A	This product uses a 5-pin XLR for DMX input and output. Use a shielded data cables. Do not overload the daisy chain. Up to a maximum of 32 devices can be used on a single DMX chain.	
➤ DMX Channels	2 for Remote Phosphors 4 for Vari-White	
➤ LED BARS Lifetime	50.000 hours with 70% Lumen Maintenance.	
➤ Protection Type	IP 22	
➤ Max. Housing Surface Temperature	70° C	
➤ Weight of Fixture with yoke	M.O.	P.O.
	4,1 kg.	5,3 kg.
➤ PFC Power Supply Integrated	9,0 lbs	11,7 lbs

// SOFT LED 2

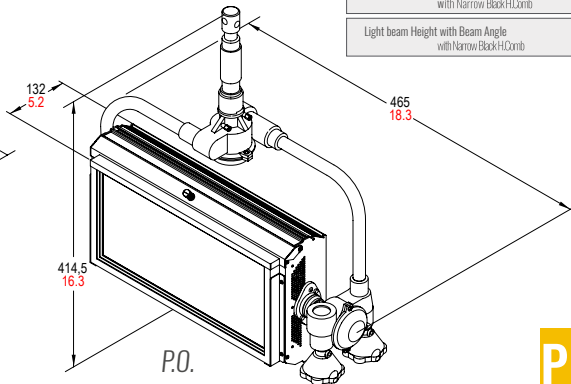
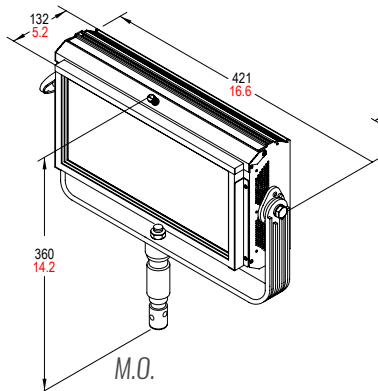


Vari-White at C.C.T. (Correlated Color Temperature) balanced to 2,800°K - 120W (CRI-95 - TlCl-96)
Illumination center values at the following distances

		2 mt 6.6 ft	3 mt 9.8 ft	5 mt 16.4 ft
SL2VW at 2,800°K w/o Front Accessories Central Light intensity (Candle Power)	3,933 cd	983 lux 91 FC	437 lux 41 FC	157 lux 15 FC
SL2VW at 2,800°K with Medium Black H.Comb Central Light intensity (Candle Power)	3,359 cd	840 lux 78 FC	373 lux 35 FC	134 lux 12 FC
SL2VW at 2,800°K with Narrow Black H.Comb Central Light intensity (Candle Power)	3,217 cd	804 lux 75 FC	357 lux 33 FC	129 lux 12 FC

Vari-White at C.C.T. (Correlated Color Temperature) balanced to 6,500°K - 120W (CRI-95 - TlCl-96)
Illumination center values at the following distances

		2 mt 6.6 ft	3 mt 9.8 ft	5 mt 16.4 ft
SL2VW at 6,500°K w/o Front Accessories Central Light intensity (Candle Power)	5,139 cd	1,285 lux 119 FC	571 lux 53 FC	206 lux 19 FC
SL2VW at 6,500°K with Medium Black H.Comb Central Light intensity (Candle Power)	4,389 cd	1,097 lux 102 FC	488 lux 45 FC	176 lux 16 FC
SL2VW at 6,500°K with Narrow Black H.Comb Central Light intensity (Candle Power)	4,204 cd	1,051 lux 98 FC	467 lux 43 FC	168 lux 16 FC



C.C.T. (Correlated Color Temperature) balanced to match 3,200°K TUNGSTEN LAMPS - 120W (CRI-95 - TlCl-96)
Illumination center values at the following distances

		2 mt 6.6 ft	3 mt 9.8 ft	5 mt 16.4 ft
SL2 Tungsten w/o Front Accessories Central Light intensity (Candle Power)	4,092 cd	1,023 lux 95 FC	455 lux 42 FC	164 lux 15 FC
SL2 Tungsten with Medium Black H.Comb Central Light intensity (Candle Power)	3,494 cd	874 lux 81 FC	388 lux 36 FC	140 lux 13 FC
SL2 Tungsten with Narrow Black H.Comb Central Light intensity (Candle Power)	3,347 cd	837 lux 78 FC	372 lux 35 FC	134 lux 12 FC

C.C.T. (Correlated Color Temperature) balanced to match 5,600°K DAYLIGHT LAMPS - 120W (CRI-95 - TlCl-96)
Illumination center values at the following distances

		2 mt 6.6 ft	3 mt 9.8 ft	5 mt 16.4 ft
SL2 Daylight w/o Front Accessories Central Light intensity (Candle Power)	4,853 cd	1,213 lux 113 FC	539 lux 50 FC	194 lux 18 FC
SL2 Daylight with Medium Black H.Comb Central Light intensity (Candle Power)	4,389 cd	1,097 lux 102 FC	488 lux 45 FC	176 lux 16 FC
SL2 Daylight with Narrow Black H.Comb Central Light intensity (Candle Power)	4,204 cd	1,051 lux 98 FC	467 lux 43 FC	168 lux 16 FC

BEAM COVERAGE ON SOFT LED 2 - 120W

Light beam Width with Beam Angle w/o accessories	110°	5,71 mt 18.7 ft	8,57 mt 28.1 ft	14,28 mt 46.9 ft
Light beam Height with Beam Angle w/o accessories	96°	4,44 mt 14.6 ft	6,66 mt 21.9 ft	11,11 mt 36.4 ft
Light beam Width with Beam Angle with Medium Black H.Comb	60°	2,31 mt 7.6 ft	3,46 mt 11.4 ft	5,77 mt 18.9 ft
Light beam Height with Beam Angle with Medium Black H.Comb	55°	2,08 mt 6.8 ft	3,12 mt 10.2 ft	5,21 mt 17.1 ft
Light beam Width with Beam Angle with Narrow Black H.Comb	35°	1,26 mt 4.1 ft	1,89 mt 6.2 ft	3,15 mt 10.3 ft
Light beam Height with Beam Angle with Narrow Black H.Comb	35°	1,26 mt 4.1 ft	1,89 mt 6.2 ft	3,15 mt 10.3 ft

PHOTOMETRIC DATA

// SoftLED 2XL

Power to Led 180W

// P.O. VERSION
 Mod. S2XLVW.PO Vari-White
 Mod. S2XLT.PO Tungsten
 Mod. S2XLD.PO Daylight

// M.O. VERSION
 Mod. S2XLVW.MO Vari-White
 Mod. S2XLT.MO Tungsten
 Mod. S2XLD.MO Daylight



CHARACTERISTICS & PERFORMANCE DATA

DESCRIPTION	VALUE	
➤ Power to LED	180W Flicker Free	
➤ Power Consumption	Europe 200W @ 230 V 50-60 Hz	America 205W @ 120 V 50-60 Hz
	This product uses a 5-pin XLR for DMX input and output. Use a shielded data cables. Do not overload the daisy chain. Up to a maximum of 32 devices can be used on a single DMX chain.	
➤ DMX Data link USITT DMX512-A	2 for Remote Phosphors 4 for Vari-White	
➤ LED BARS Lifetime	50.000 hours with 70% Lumen Maintenance.	
➤ Protection Type	IP 22	
➤ Max. Housing Surface Temperature	70° C	
➤ Weight of Fixture with yoke	M.O. 5,5 kg	P.O. 6,7 kg.
	PFC Power Supply Integrated 12.1 lbs	14.8 lbs

// SOFT LED 2XL



Vari-White at C.C.T. (Correlated Color Temperature) balanced to 2,800°K - 180W (CRI-95 - TLCi-96)
Illumination center values at the following distances

	2 mt 6.6 ft	3 mt 9.8 ft	5 mt 16.4 ft
S2XL VW at 2,800°K w/o Front Accessories Central Light Intensity (Candle Power)	7,947 cd 1,987 lux 185 FC	883 lux 82 FC	318 lux 30 FC
S2XL VW at 2,800°K with Medium Black H.Comb Central Light Intensity (Candle Power)	6,787 cd 1,697 lux 158 FC	754 lux 70 FC	271 lux 25 FC
S2XL VW at 2,800°K with Narrow Black H.Comb Central Light Intensity (Candle Power)	6,501 cd 1,625 lux 151 FC	722 lux 67 FC	260 lux 24 FC

Vari-White at C.C.T. (Correlated Color Temperature) balanced to 6,500°K - 180W (CRI-95 - TLCi-96)
Illumination center values at the following distances

	2 mt 6.6 ft	3 mt 9.8 ft	5 mt 16.4 ft
S2XL VW at 6,500°K w/o Front Accessories Central Light Intensity (Candle Power)	10,557 cd 2,639 lux 245 FC	1,173 lux 109 FC	422 lux 39 FC
S2XL VW at 6,500°K with Medium Black H.Comb Central Light Intensity (Candle Power)	9,016 cd 2,254 lux 209 FC	1,002 lux 93 FC	361 lux 34 FC
S2XL VW at 6,500°K with Narrow Black H.Comb Central Light Intensity (Candle Power)	8,636 cd 2,159 lux 201 FC	960 lux 89 FC	345 lux 32 FC

C.C.T. (Correlated Color Temperature) balanced to match 3,200°K TUNGSTEN LAMPS - 180W (CRI-95 - TLCi-96)
Illumination center values at the following distances

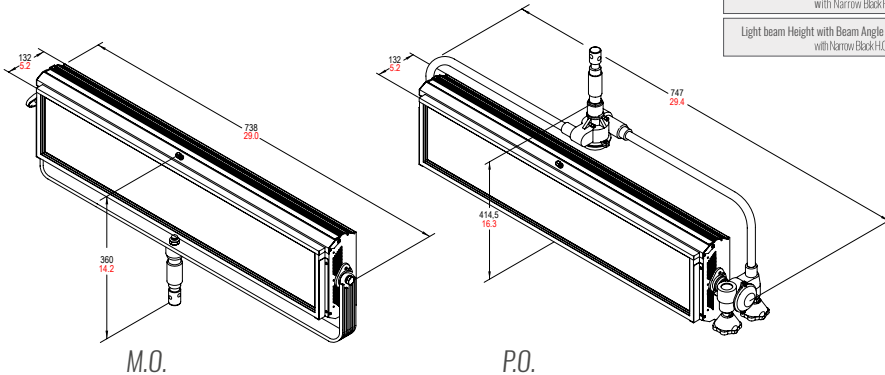
	2 mt 6.6 ft	3 mt 9.8 ft	5 mt 16.4 ft
S2XL Tungsten w/o Front Accessories Central Light Intensity (Candle Power)	8,289 cd 2,072 lux 193 FC	921 lux 83 FC	332 lux 31 FC
S2XL Tungsten with Medium Black H.Comb Central Light Intensity (Candle Power)	7,079 cd 1,770 lux 164 FC	787 lux 73 FC	283 lux 26 FC
S2XL Tungsten with Narrow Black H.Comb Central Light Intensity (Candle Power)	6,780 cd 1,695 lux 157 FC	753 lux 70 FC	271 lux 25 FC

C.C.T. (Correlated Color Temperature) balanced to match 5,600°K DAYLIGHT LAMPS - 180W (CRI-95 - TLCi-96)
Illumination center values at the following distances

	2 mt 6.6 ft	3 mt 9.8 ft	5 mt 16.4 ft
S2XL Daylight w/o Front Accessories Central Light Intensity (Candle Power)	10,530 cd 2,633 lux 245 FC	1,170 lux 109 FC	421 lux 39 FC
S2XL Daylight with Medium Black H.Comb Central Light Intensity (Candle Power)	8,993 cd 2,248 lux 208 FC	999 lux 93 FC	360 lux 33 FC
S2XL Daylight with Narrow Black H.Comb Central Light Intensity (Candle Power)	8,614 cd 2,153 lux 200 FC	957 lux 89 FC	345 lux 32 FC

BEAM COVERAGE ON SOFT LED 2XL - 180W

Light beam Width with Beam Angle w/o accessories	98°	4,60 mt 15.1 ft	6,90 mt 22.6 ft	11,50 mt 37.7 ft
Light beam Height with Beam Angle w/o accessories	60°	2,31 mt 7.6 ft	3,46 mt 11.4 ft	5,77 mt 18.9 ft
Light beam Width with Beam Angle with Medium Black H.Comb	60°	2,31 mt 7.6 ft	3,46 mt 11.4 ft	5,77 mt 18.9 ft
Light beam Height with Beam Angle with Medium Black H.Comb	50°	1,87 mt 6.1 ft	2,80 mt 9.2 ft	4,66 mt 15.3 ft
Light beam Width with Beam Angle with Narrow Black H.Comb	35°	1,26 mt 4.1 ft	1,89 mt 6.2 ft	3,15 mt 10.3 ft
Light beam Height with Beam Angle with Narrow Black H.Comb	30°	1,07 mt 3.5 ft	1,61 mt 5.3 ft	2,68 mt 8.8 ft



PHOTOMETRIC DATA

// SoftLED4

Power to Led 180W

// P.O. VERSION
 Mod. S4VW.PO Vari-White
 Mod. S4T.PO Tungsten
 Mod. S4D.PO Daylight

// M.O. VERSION
 Mod. S4VW.MO Vari-White
 Mod. S4T.MO Tungsten
 Mod. S4D.MO Daylight



CHARACTERISTICS & PERFORMANCE DATA

DESCRIPTION	VALUE	
➤ Power to LED	180W Flicker Free	
➤ Power Consumption	Europe 200W @ 230 V 50-60 Hz	America 205W @ 120 V 50-60 Hz
	This product uses a 5-pin XLR for DMX input and output. Use a shielded data cables. Do not overload the daisy chain. Up to a maximum of 32 devices can be used on a single DMX chain.	
➤ DMX Data link USITT DMX512-A	2 for Remote Phosphors 4 for Vari-White	
➤ LED BARS Lifetime	50.000 hours with 70% Lumen Maintenance.	
➤ Protection Type	IP 22	
➤ Max. Housing Surface Temperature	70° C	
➤ Weight of Fixture with yoke	M.O. 5,5 kg.	P.O. 6,7 kg.
	PFC Power Supply Integrated 12,1 lbs	14,8 lbs

// SOFT LED 4

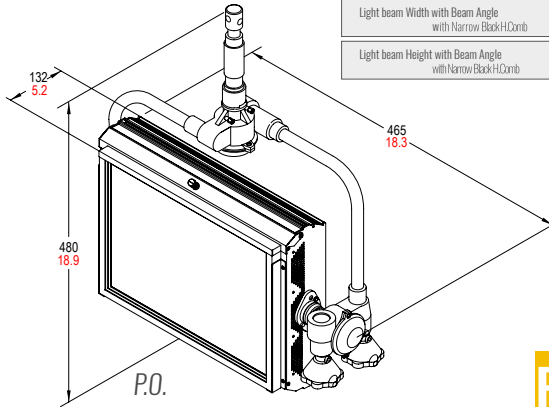
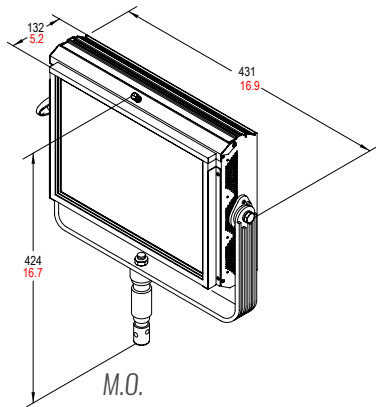


Vari-White at C.C.T. (Correlated Color Temperature) balanced to 2,800°K - 180W (CRI-95 - TLCi-96)
Illumination center values at the following distances

	2 mt 6.6 ft	3 mt 9.8 ft	5 mt 16.4 ft
SL4 VW at 2,800°K w/o Front Accessories Central Light Intensity (Candle Power)	5,850 cd 1,463 lux 136 FC	650 lux 60 FC	234 lux 22 FC
SL4 VW at 2,800°K with Medium Black H.Comb Central Light Intensity (Candle Power)	4,996 cd 1,249 lux 116 FC	555 lux 52 FC	200 lux 19 FC
SL4 VW at 2,800°K with Narrow Black H.Comb Central Light Intensity (Candle Power)	4,785 cd 1,196 lux 111 FC	532 lux 49 FC	191 lux 18 FC

Vari-White at C.C.T. (Correlated Color Temperature) balanced to 6,500°K - 180W (CRI-95 - TLCi-96)
Illumination center values at the following distances

	2 mt 6.6 ft	3 mt 9.8 ft	5 mt 16.4 ft
SL4 VW at 6,500°K w/o Front Accessories Central Light Intensity (Candle Power)	7,767 cd 1,942 lux 180 FC	863 lux 80 FC	311 lux 29 FC
SL4 VW at 6,500°K with Medium Black H.Comb Central Light Intensity (Candle Power)	6,633 cd 1,658 lux 154 FC	737 lux 68 FC	265 lux 25 FC
SL4 VW at 6,500°K with Narrow Black H.Comb Central Light Intensity (Candle Power)	6,353 cd 1,588 lux 148 FC	706 lux 66 FC	254 lux 24 FC



C.C.T. (Correlated Color Temperature) balanced to match 3,200°K TUNGSTEN LAMPS - 180W (CRI-95 - TLCi-96)
Illumination center values at the following distances

	2 mt 6.6 ft	3 mt 9.8 ft	5 mt 16.4 ft
SL4 Tungsten w/o Front Accessories Central Light Intensity (Candle Power)	6,102 cd 1,526 lux 142 FC	678 lux 63 FC	244 lux 23 FC
SL4 Tungsten with Medium Black H.Comb Central Light Intensity (Candle Power)	5,211 cd 1,303 lux 121 FC	579 lux 54 FC	208 lux 19 FC
SL4 Tungsten with Narrow Black H.Comb Central Light Intensity (Candle Power)	4,992 cd 1,248 lux 116 FC	555 lux 52 FC	200 lux 19 FC

C.C.T. (Correlated Color Temperature) balanced to match 5,600°K DAYLIGHT LAMPS - 180W (CRI-95 - TLCi-96)
Illumination center values at the following distances

	2 mt 6.6 ft	3 mt 9.8 ft	5 mt 16.4 ft
SL4 Daylight w/o Front Accessories Central Light Intensity (Candle Power)	7,749 cd 1,937 lux 180 FC	861 lux 80 FC	310 lux 29 FC
SL4 Daylight with Medium Black H.Comb Central Light Intensity (Candle Power)	6,618 cd 1,654 lux 154 FC	735 lux 68 FC	265 lux 25 FC
SL4 Daylight with Narrow Black H.Comb Central Light Intensity (Candle Power)	6,339 cd 1,585 lux 148 FC	704 lux 65 FC	254 lux 24 FC

BEAM COVERAGE ON SOFT LED 4 - 180W

Light beam Width with Beam Angle w/o accessories	110°	5,71 mt 18.7 ft	8,57 mt 28.1 ft	14,28 mt 46.9 ft
Light beam Height with Beam Angle w/o accessories	96°	4,44 mt 14.6 ft	6,66 mt 21.9 ft	11,11 mt 36.4 ft
Light beam Width with Beam Angle with Medium Black H.Comb	60°	2,31 mt 7.6 ft	3,46 mt 11.4 ft	5,77 mt 18.9 ft
Light beam Height with Beam Angle with Medium Black H.Comb	55°	2,08 mt 6.8 ft	3,12 mt 10.2 ft	5,21 mt 17.1 ft
Light beam Width with Beam Angle with Narrow Black H.Comb	35°	1,26 mt 4.1 ft	1,89 mt 6.2 ft	3,15 mt 10.3 ft
Light beam Height with Beam Angle with Narrow Black H.Comb	35°	1,26 mt 4.1 ft	1,89 mt 6.2 ft	3,15 mt 10.3 ft

PHOTOMETRIC DATA

// SoftLED8

Power to Led 360W

// P.O. VERSION
 Mod. S8VW.PO Vari-White
 Mod. S8T.PO Tungsten
 Mod. S8D.PO Daylight

// M.O. VERSION
 Mod. S8VW.MO Vari-White
 Mod. S8T.MO Tungsten
 Mod. S8D.MO Daylight



CHARACTERISTICS & PERFORMANCE DATA

DESCRIPTION	VALUE	
➤ Power to LED	360W Flicker Free	
➤ Power Consumption	Europe	America
	400W @ 230 V 50-60 Hz	400W @ 120 V 50-60 Hz
➤ DMX Data link USITT DMX512-A	This product uses a 5-pin XLR for DMX input and output. Use a shielded data cables. Do not overload the daisy chain. Up to a maximum of 32 devices can be used on a single DMX chain.	
➤ DMX Channels	2 for Remote Phosphors 4 for Vari-White	
➤ LED BARS Lifetime	50.000 hours with 70% Lumen Maintenance.	
➤ Protection Type	IP 22	
➤ Max. Housing Surface Temperature	70° C	
➤ Weight of Fixture with yoke ➤ PFC Power Supply Integrated	M.O.	P.O.
	11 kg. 24.2 lbs	12.3 kg 27.1 lbs

// SOFT LED 8



Vari-White at C.C.T. (Correlated Color Temperature) balanced to 2,800°K - 360W (CRI>95 - TLCI>96)
Illumination center values at the following distances

	2 mt 6.6 ft	3 mt 9.8 ft	5 mt 16.4 ft
SL8 VW at 2,800°K w/o Front Accessories Central Light Intensity (Candle Power)	14,319 cd 3,580 lux 333 FC	1,591 lux 148 FC	573 lux 53 FC
SL8 VW at 2,800°K with Medium Black H.Comb Central Light Intensity (Candle Power)	12,228 cd 3,057 lux 284 FC	1,359 lux 126 FC	489 lux 45 FC
SL8 VW at 2,800°K with Narrow Black H.Comb Central Light Intensity (Candle Power)	11,713 cd 2,928 lux 272 FC	1,301 lux 121 FC	469 lux 44 FC

Vari-White at C.C.T. (Correlated Color Temperature) balanced to 6,500°K - 360W (CRI>95 - TLCI>96)
Illumination center values at the following distances

	2 mt 6.6 ft	3 mt 9.8 ft	5 mt 16.4 ft
SL8 VW at 6,500°K w/o Front Accessories Central Light Intensity (Candle Power)	18,720 cd 4,680 lux 435 FC	2,080 lux 193 FC	749 lux 70 FC
SL8 VW at 6,500°K with Medium Black H.Comb Central Light Intensity (Candle Power)	15,987 cd 3,997 lux 371 FC	1,776 lux 165 FC	639 lux 59 FC
SL8 VW at 6,500°K with Narrow Black H.Comb Central Light Intensity (Candle Power)	15,313 cd 3,828 lux 356 FC	1,701 lux 158 FC	613 lux 57 FC

C.C.T. (Correlated Color Temperature) balanced to match 3,200°K TUNGSTEN LAMPS - 360W (CRI>95 - TLCI>96)
Illumination center values at the following distances

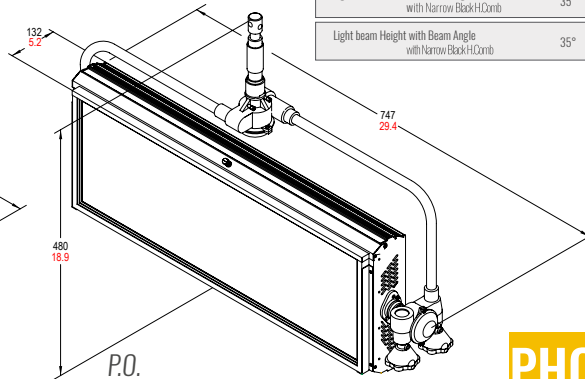
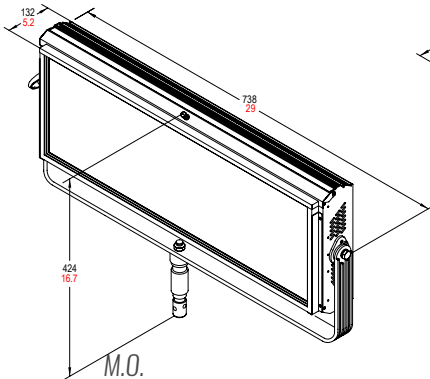
	2 mt 6.6 ft	3 mt 9.8 ft	5 mt 16.4 ft
SL8 Tungsten w/o Front Accessories Central Light Intensity (Candle Power)	14,898 cd 3,725 lux 346 FC	1,655 lux 154 FC	596 lux 55 FC
SL8 Tungsten with Medium Black H.Comb Central Light Intensity (Candle Power)	12,723 cd 3,181 lux 296 FC	1,414 lux 131 FC	509 lux 47 FC
SL8 Tungsten with Narrow Black H.Comb Central Light Intensity (Candle Power)	12,187 cd 3,047 lux 283 FC	1,354 lux 126 FC	487 lux 45 FC

C.C.T. (Correlated Color Temperature) balanced to match 5,600°K DAYLIGHT LAMPS - 360W (CRI>95 - TLCI>96)
Illumination center values at the following distances

	2 mt 6.6 ft	3 mt 9.8 ft	5 mt 16.4 ft
SL8 Daylight w/o Front Accessories Central Light Intensity (Candle Power)	19,854 cd 4,964 lux 461 FC	2,206 lux 205 FC	794 lux 74 FC
SL8 Daylight with Medium Black H.Comb Central Light Intensity (Candle Power)	16,955 cd 4,239 lux 394 FC	1,894 lux 175 FC	678 lux 63 FC
SL8 Daylight with Narrow Black H.Comb Central Light Intensity (Candle Power)	16,241 cd 4,060 lux 377 FC	1,805 lux 168 FC	650 lux 60 FC

BEAM COVERAGE ON SOFT LED 8 - 360W

Light beam Width with Beam Angle w/o accessories	110°	5,71 mt 18.7 ft	8,57 mt 28.1 ft	14,28 mt 46.9 ft
Light beam Height with Beam Angle w/o accessories	96°	4,44 mt 14.6 ft	6,66 mt 21.9 ft	11,11 mt 36.4 ft
Light beam Width with Beam Angle with Medium Black H.Comb	60°	2,31 mt 7.6 ft	3,46 mt 11.4 ft	5,77 mt 18.9 ft
Light beam Height with Beam Angle with Medium Black H.Comb	55°	2,08 mt 6.8 ft	3,12 mt 10.2 ft	5,21 mt 17.1 ft
Light beam Width with Beam Angle with Narrow Black H.Comb	35°	1,26 mt 4.1 ft	1,89 mt 6.2 ft	3,15 mt 10.3 ft
Light beam Height with Beam Angle with Narrow Black H.Comb	35°	1,26 mt 4.1 ft	1,89 mt 6.2 ft	3,15 mt 10.3 ft



PHOTOMETRIC DATA

// SoftLED 8XL

Power to Led 400W

// M.O. VERSION

Mod. S8XLVW.MO Vari-White
 Mod. S8XLT.MO Tungsten
 Mod. S8XLD.MO Daylight

// P.O. VERSION
 Mod. S8XLVW.PO Vari-White
 Mod. S8XLT.PO Tungsten
 Mod. S8XLD.PO Daylight



CHARACTERISTICS & PERFORMANCE DATA

DESCRIPTION	VALUE	
➤ Power to LED	400W Flicker Free	
➤ Power Consumption	Europe	America
	450W @ 230 V 50-60 Hz	460W @ 120 V 50-60 Hz
➤ DMX Data link USITT DMX512-A	This product uses a 5-pin XLR for DMX input and output. Use a shielded data cables. Do not overload the daisy chain. Up to a maximum of 32 devices can be used on a single DMX chain.	
➤ DMX Channels	2 for Remote Phosphors 4 for Vari-White	
➤ LED BARS Lifetime	50.000 hours with 70% Lumen Maintenance.	
➤ Protection Type	IP 22	
➤ Max. Housing Surface Temperature	70° C	
➤ Weight of Fixture with yoke ➤ PFC Power Supply Integrated	M.O.	P.O.
	19,8 kg. 43,7 lbs	22,1 kg 48,7 lbs

// SOFT LED 8XL



Vari-White at C.C.T. (Correlated Color Temperature) balanced to 2,800°K - 400W (CRI>95 - TlCl<96)
Illumination center values at the following distances

	2 mt 6.6 ft	3 mt 9.8 ft	5 mt 16.4 ft
SBXL VW at 2,800°K w/o Front Accessories Central Light Intensity (Candle Power)	17,370 cd 4,343 lux 403 FC	1,930 lux 179 FC	695 lux 65 FC
SBXL VW at 2,800°K with Medium Black H.Comb Central Light Intensity (Candle Power)	14,834 cd 3,708 lux 345 FC	1,648 lux 153 FC	593 lux 55 FC
SBXL VW at 2,800°K with Narrow Black H.Comb Central Light Intensity (Candle Power)	14,209 cd 3,552 lux 330 FC	1,579 lux 147 FC	568 lux 53 FC

Vari-White at C.C.T. (Correlated Color Temperature) balanced to 6,500°K - 400W (CRI>95 - TlCl<96)
Illumination center values at the following distances

	2 mt 6.6 ft	3 mt 9.8 ft	5 mt 16.4 ft
SBXL VW at 6,500°K w/o Front Accessories Central Light Intensity (Candle Power)	23,724 cd 5,931 lux 551 FC	2,636 lux 245 FC	949 lux 88 FC
SBXL VW at 6,500°K with Medium Black H.Comb Central Light Intensity (Candle Power)	20,260 cd 5,065 lux 471 FC	2,251 lux 209 FC	810 lux 75 FC
SBXL VW at 6,500°K with Narrow Black H.Comb Central Light Intensity (Candle Power)	19,406 cd 4,852 lux 451 FC	2,156 lux 200 FC	776 lux 72 FC

C.C.T. (Correlated Color Temperature) balanced to match 3,200°K TUNGSTEN LAMPS - 400W (CRI>95 - TlCl<96)
Illumination center values at the following distances

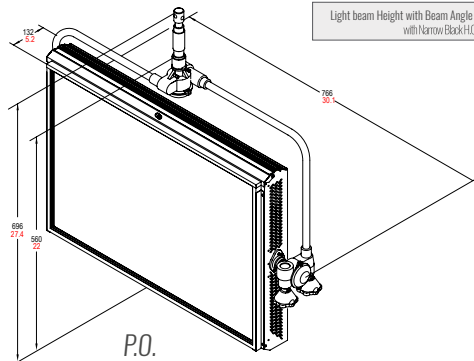
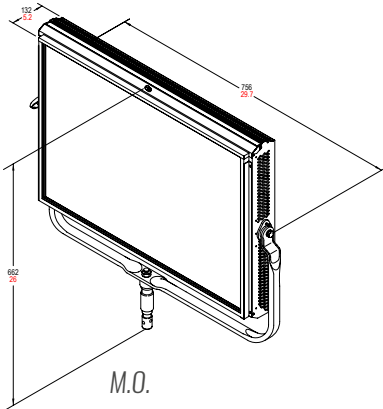
	2 mt 6.6 ft	3 mt 9.8 ft	5 mt 16.4 ft
SBXL Tungsten w/o Front Accessories Central Light Intensity (Candle Power)	18,206 cd 4,552 lux 423 FC	2,023 lux 188 FC	728 lux 68 FC
SBXL Tungsten with Medium Black H.Comb Central Light Intensity (Candle Power)	15,548 cd 3,887 lux 361 FC	1,728 lux 160 FC	622 lux 58 FC
SBXL Tungsten with Narrow Black H.Comb Central Light Intensity (Candle Power)	14,893 cd 3,723 lux 346 FC	1,655 lux 154 FC	596 lux 55 FC

C.C.T. (Correlated Color Temperature) balanced to match 5,600°K DAYLIGHT LAMPS - 400W (CRI>95 - TlCl<96)
Illumination center values at the following distances

	2 mt 6.6 ft	3 mt 9.8 ft	5 mt 16.4 ft
SBXL Daylight w/o Front Accessories Central Light Intensity (Candle Power)	22,219 cd 5,555 lux 516 FC	2,469 lux 229 FC	889 lux 83 FC
SBXL Daylight with Medium Black H.Comb Central Light Intensity (Candle Power)	18,975 cd 4,744 lux 441 FC	2,108 lux 196 FC	759 lux 71 FC
SBXL Daylight with Narrow Black H.Comb Central Light Intensity (Candle Power)	18,175 cd 4,544 lux 422 FC	2,019 lux 188 FC	727 lux 68 FC

BEAM COVERAGE ON SOFT LED 8XL - 400W

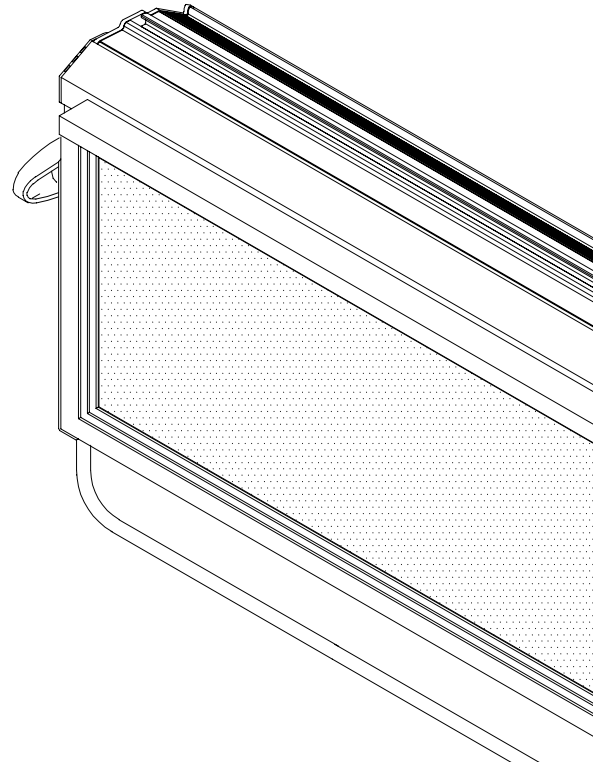
Light beam Width with Beam Angle w/o accessories	92°	4.14 mt 13.6 ft	6.21 mt 20.4 ft	10.36 mt 34.0 ft
Light beam Height with Beam Angle w/o accessories	60°	2.31 mt 7.6 ft	3.46 mt 11.4 ft	5.77 mt 18.9 ft
Light beam Width with Beam Angle with Medium Black H.Comb	60°	2.31 mt 7.6 ft	3.46 mt 11.4 ft	5.77 mt 18.9 ft
Light beam Height with Beam Angle with Medium Black H.Comb	50°	1.87 mt 6.1 ft	2.80 mt 9.2 ft	4.65 mt 15.3 ft
Light beam Width with Beam Angle with Narrow Black H.Comb	35°	1.26 mt 4.1 ft	1.89 mt 6.2 ft	3.15 mt 10.3 ft
Light beam Height with Beam Angle with Narrow Black H.Comb	30°	1.07 mt 3.5 ft	1.61 mt 5.3 ft	2.68 mt 8.8 ft

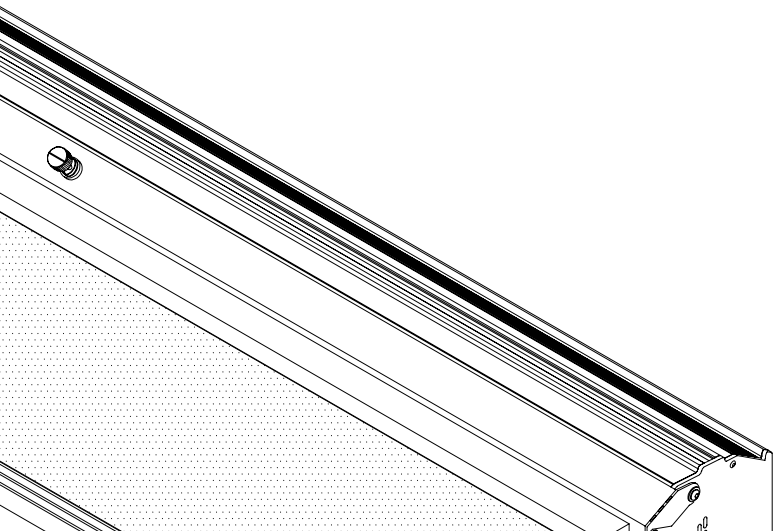


PHOTOMETRIC DATA

ACCESSORIES

- *BLACK Honeycomb for NEW SOFT LED fixtures, 1/4" black honeycomb, NARROW.*
 - *BLACK Honeycomb for NEW SOFT LED fixtures, 1/2" black honeycomb, MEDIUM.*
 - *Intensifier for SoftLED fixtures*
 - *Colorframe for SoftLED fixtures*
 - *Remote Phosphors Panel for SoftLED P*
 - *Manual Operated Stirrup with or w/o B.S. Spiggot*
 - *Pole Operated Stirrup with or w/o B.S. Spiggot*
-

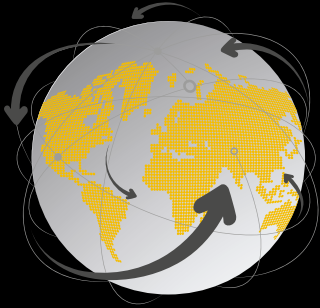




DeSisti







ITALY

Tel. +39-06-902901
Fax +39-06-90231051
desisti@desisti.it

ASIA

Tel. +65-6745-1811
Fax +65-6844-3633
info@desisti.tv

USA

Tel. +1-908-317-0020
Fax +1-908-317-0021
desisti@desistiusa.com

SPAIN

Tel. +34-91-304-6617
Fax +34-91-304-9201
jgines@desiberica-desisti.com

UNITED KINGDOM

Tel. +44-(0)-7785-233073
Fax +44-1932-843931
nick@desistilighting.co.uk