

// SOFT LED 8



Vari-White at C.C.T. (Correlated Color Temperature) balanced to 2,800°K - 360W (CRI>95 - TLDI>96)

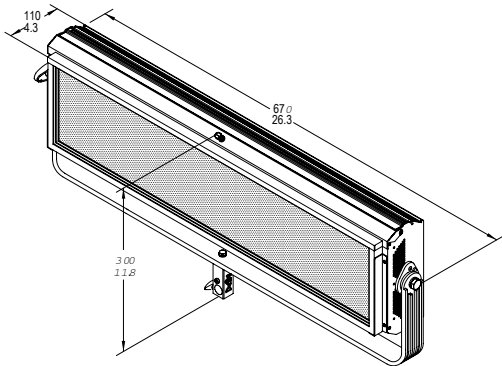
Illumination center values at the following distances

	2 mt 6.6 ft	3 mt 9.8 ft	5 mt 16.4 ft
SL8 VW at 2,800°K w/o Front Accessories Central Light Intensity (Candle Power)	9,900 cd 2,475 lux 229.9 FC	1,100 lux 102.2 FC	396 lux 36.8 FC
SL8 VW at 2,800°K with Medium Black H.Comb Central Light Intensity (Candle Power)	6,930 cd 1,733 lux 161 FC	770 lux 71.5 FC	277 lux 25.7 FC
SL8 VW at 2,800°K with Narrow Black H.Comb Central Light Intensity (Candle Power)	5,643 cd 1,411 lux 131.1 FC	627 lux 58.3 FC	226 lux 21 FC

Vari-White at C.C.T. (Correlated Color Temperature) balanced to 6,500°K - 360W (CRI>95 - TLDI>96)

Illumination center values at the following distances

	2 mt 6.6 ft	3 mt 9.8 ft	5 mt 16.4 ft
SL8 VW at 6,500°K w/o Front Accessories Central Light Intensity (Candle Power)	10,800 cd 2,700 lux 250.8 FC	1,200 lux 111.5 FC	432 lux 40.1 FC
SL8 VW at 6,500°K with Medium Black H.Comb Central Light Intensity (Candle Power)	7,560 cd 1,890 lux 175.6 FC	840 lux 78 FC	302 lux 28.1 FC
SL8 VW at 6,500°K with Narrow Black H.Comb Central Light Intensity (Candle Power)	6,156 cd 1,539 lux 143 FC	684 lux 63.5 FC	246 lux 22.9 FC



C.C.T. (Correlated Color Temperature) balanced to match 3,200°K TUNGSTEN LAMPS - 360W (CRI>97)

Illumination center values at the following distances

	2 mt 6.6 ft	3 mt 9.8 ft	5 mt 16.4 ft
SL8 Tungsten w/o Front Accessories Central Light Intensity (Candle Power)	9,000 cd 2,250 lux 209 FC	1,000 lux 92.9 FC	360 lux 33.4 FC
SL8 Tungsten with Medium Black H.Comb Central Light Intensity (Candle Power)	6,300 cd 1,575 lux 146.3 FC	700 lux 65 FC	252 lux 23.4 FC
SL8 Tungsten with Narrow Black H.Comb Central Light Intensity (Candle Power)	5,130 cd 1,283 lux 119.2 FC	570 lux 53 FC	205 lux 19 FC

C.C.T. (Correlated Color Temperature) balanced to match 5,600°K DAYLIGHT LAMPS - 360W (CRI>92)

Illumination center values at the following distances

	2 mt 6.6 ft	3 mt 9.8 ft	5 mt 16.4 ft
SL8 Daylight w/o Front Accessories Central Light Intensity (Candle Power)	9,900 cd 2,475 lux 229.9 FC	1,100 lux 102.2 FC	396 lux 36.8 FC
SL8 Daylight with Medium Black H.Comb Central Light Intensity (Candle Power)	6,930 cd 1,733 lux 161 FC	770 lux 71.5 FC	277 lux 25.7 FC
SL8 Daylight with Narrow Black H.Comb Central Light Intensity (Candle Power)	5,643 cd 1,411 lux 131.1 FC	627 lux 58.3 FC	226 lux 21 FC

BEAM COVERAGE ON SOFT LED 8 - 360W

Light beam Width with Beam Angle w/o accessories	110.0°	5.71 mt 18.7 ft	8.57 mt 28.1 ft	14.28 mt 46.8 ft
Light beam Height with Beam Angle w/o accessories	100.0°	4.77 mt 15.6 ft	7.15 mt 23.4 ft	11.92 mt 39.1 ft
Light beam Width with Beam Angle with Medium Black H.Comb	60.0°	2.31 mt 7.6 ft	3.46 mt 11.3 ft	5.77 mt 18.9 ft
Light beam Height with Beam Angle with Medium Black H.Comb	55.0°	2.08 mt 6.8 ft	3.12 mt 10.2 ft	5.21 mt 17.1 ft
Light beam Width with Beam Angle with Narrow Black H.Comb	35.0°	1.26 mt 4.1 ft	1.89 mt 6.2 ft	3.15 mt 10.3 ft
Light beam Height with Beam Angle with Narrow Black H.Comb	35.0°	1.26 mt 4.1 ft	1.89 mt 6.2 ft	3.15 mt 10.3 ft

PHOTOMETRIC DATA
PRELIMINARY INFORMATION