

# SOFT LED 4 VW + C



DATASHEET

DeSisti

# SOFT LED 4 VW +C

## LED Softlight 250W - CRI>95

White light, with Tunable Correlated Color Temperature from 2.800 to 6.600°K with addition of RGBA Phosphor color LEDs

### OVERVIEW

The SOFT LED 4 VW +Color is the DE SISTI answer to the increasing demand of COMPACT FIXTURES for SOFTLIGHTING offering the possibility to color the scene and use effects without compromising the quality of the white light emission.

The same Bi-Color White Leds of the appreciated Vari-white range are being utilized but now with a new addition of red, green, blue and amber leds production unmatched White Color output with supreme color saturation. The color chips are also revolutionary as they are phosphors based which allows color stability through all the situations and through lifetime of the LED.

It provides a super even - soft beam projection and the following main features:

- a controlled Beam and SOFT White Source, ideal for multiple camera use in the studio, with more effective control of the beam projection and effective Honeycombs
- a beautiful EVEN DISTRIBUTION and a real quality projection with precise reference white.
- NO PIXEL EFFECT from the LED (which is a problem from many other Brand's LED PANELS in the market).
- Contained Size, reduced weight and exceptional efficiency for energy savings and lit Talent comfort.
- Choice of Manual or Pole operation, the full dimming is through DMX and the LEDs are supplied with DC throughout the 0 to 100% dimming range, for a full FLICKER FREE operation and super smooth cross fades.
- The unit is self contained and requires no other external power supplies or devices....both Mains and DMX connections are DAISY Chainable.

MODEL	DESCRIPTION
S4VW+C.MO	SoftLED 4 VW + Color - Tunable White +RGBA, Manual Operated
S4VW+C.PO	SoftLED 4 VW + Color - Tunable White +RGBA, Pole Operated



### WHAT'S INSIDE

#### FIXTURE HEAD

POWERCON IN & OUT PANEL CONNECTORS.  
XLR 5 Pin DMX IN & OUT PANEL CONNECTORS.  
250W LED engine with White LEDs (CCT) from 2.800°K till 6.600 °K and Red, Green, Blu and Amber phoshors based  
Built In Universal Power Supply 90-250V  
50/60Hz DMX controlled.

#### YOKES

##### Manual Operated Versions

Mod. S4MO.110.40 M.O. stirrup with 28,57 mm. spigot (B.S. 1-1/8"), with top end for "C" clamp

##### Pole Operated Versions

Mod. S4MO.110.40 P.O. yoke with 28,57 mm. spigot (B.S. 1-1/8"), with top end for "C" clamp

#### ACCESSORIES

Mod. S4DIF Diffuser Panel for SOFT LED 4

#### CABLES

Mod. 5403.135 3 mt. (9.8 ft) detachable Blue POWERCON power cable with bare ends.

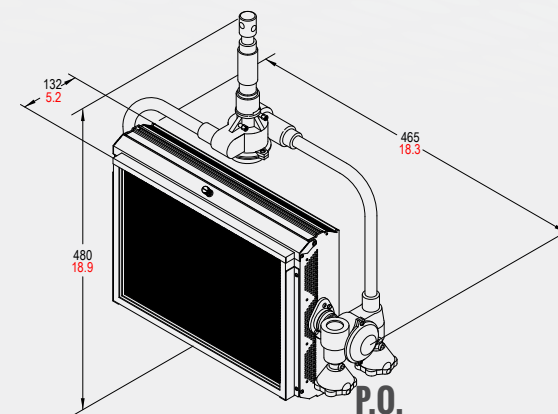
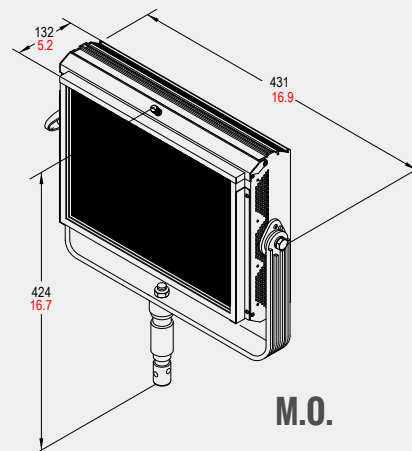
DMX cable is not included, to be ordered separately

# SOFT LED 4 VW + C

## FEATURES

<b>Power to LED</b>	250W - DC current to the LED - flicker free
<b>Rated Voltage &amp; PFC</b>	90-250V 50-60Hz PFC 0,96
<b>Power consumption</b>	275W @ 230V   275W @120V
<b>Power Connection</b>	powerCON IN & OUT
<b>DMX Data link USITT DMX512-A</b>	5-pin XLR for DMX in & out. Use shielded data cables. Do not overload the daisy chain. Up to a maximum of 32 devices can be used on a single DMX chain.
<b>DMX Channels</b>	9: Master Dimmer, Mode Selection, CCT Control, Hue/Gel Selection/X coordinate/Red/+Green, Saturation/Source Selection/Y coordinate/Green/-Green, Blu, Amber, Warm White/Filter or Color correction selection in VW mode, Cold White/ CCT selection in VW mode, Strobe
<b>LED BOARDS Lifetime</b>	50.000 hours with 70% Lumen Maintenance. The LED BOARDS are tested and certified up to LM80
<b>CCT</b>	Tunable from 2.800°K to 6.600°K + RGBA color and color correction mode
<b>CRI / TLCI</b>	96 / 96
<b>Protection Type</b>	IP22
<b>Max. Housing Surface Temperature</b>	70° C
<b>Weight of Fixture with yoke (integrated PSU)</b>	<b>M.O.</b> 5,5 Kg (12.1 lb) <b>P.O.</b> 6,7 Kg (14.8 lb)

## DIMENSION



## FEATURES

Vari-White CCT technology with a range from 2.800°K to 6.600°K and revolutionary phosphors based color LEDs to allow color stability in every situation

Rugged and Lightweight Aluminium extrusion housing with Black Oxidation low glare finishing

High efficiency, silent passive heat management. Thermal stabilization of the LED operating temperature is managed by an internal thermal sensor and CPU, variable fan speed and heat sink to maintain the LEDs at optimal constant temperature.

DMX (or local) control of the Light intensity from 0 to 100% with smooth transition and theatrical quality dimming...flicker free at any dimming level.

100% flicker free system with universal Power Supply unit 90-250V to work in every condition and frame rate compatible with the New ULTRA HD cameras.

Available with either positive lock manual yokes for comfort and ease of handling, or pole operated yokes.

The accessories are secure regardless of the orientation of the fixture. Accessories have been designed for one hand installation.

Honeycombs and intensifier accessories work perfectly to shape and control the beam spread.

DMX daisy chaining and Power Pass Through features allow for quicker installations of the lighting system.

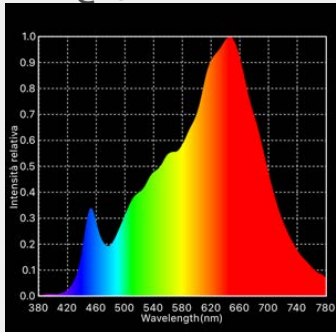
De Sisti S4 VW+Color is controlled through 7 modes

- 1) Standard 6 color mixing
- 2) Preset Gels + Referral source
- 3) Variwhite mode + 4 colors
- 4) Variwhite mode + color correction (+/- green +/- Cyan....)
- 5) Hue Saturation intensity
- 6) X, Y coordinates (extremely precise as based on 4 colors instead only RGB)
- 7) Effects

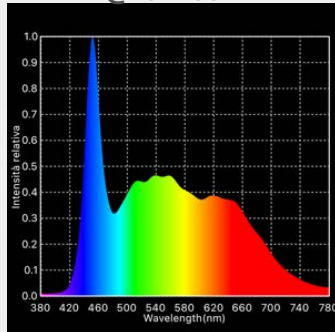
# SOFT LED 4 VW + C

## SPECTRUM

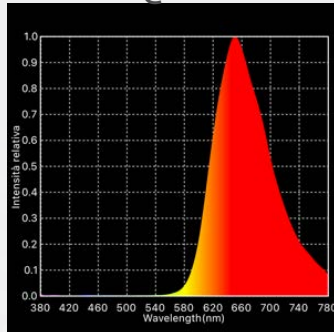
@FULL WARM



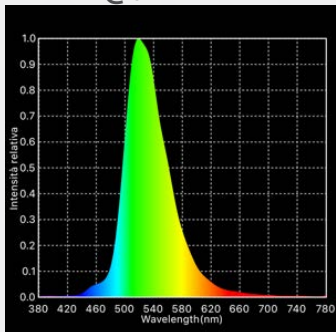
@FULL COLD



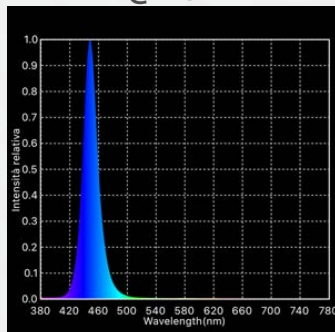
@RED



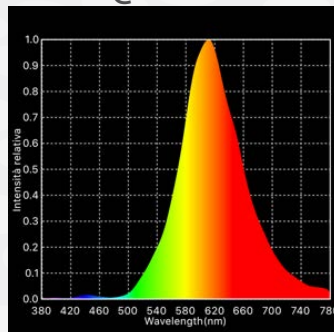
@GREEN



@BLU



@AMBER



## PHOTOMETRICS

Vari-White+ Color at C.C.T. (Correlated Color Temperature) balanced to 3.200°K - 250W (CRI>94 - TLCI>95)

Illumination center values at the following distances

2 mt	3 mt	5 mt
6.6 ft	9.8 ft	16.4 ft

S4 VW+C at 3.200°K w/o Front Accessories Central Light intensity (Candle Power)	6.062 cd	1.515 lux 141 FC	674 lux 63 FC	242 lux 23 FC
S4 VW+C at 3.200°K with Medium Black H.Comb Central Light intensity (Candle Power)	5.177 cd	1.294 lux 120 FC	575 lux 53 FC	207 lux 19 FC
S4 VW+C at 3.200°K with Narrow Black H.Comb Central Light intensity (Candle Power)	4.958 cd	1.240 lux 115 FC	551 lux 51 FC	198 lux 18 FC

Vari-White at C.C.T. (Correlated Color Temperature) balanced to 5.600°K - 250W (CRI>94 - TLCI>95)

Illumination center values at the following distances

2 mt	3 mt	5 mt
6.6 ft	9.8 ft	16.4 ft

S4 VW+C at 5.600°K w/o Front Accessories Central Light intensity (Candle Power)	7.749 cd	1.937 lux 180 FC	861 lux 80 FC	310 lux 29 FC
S4 VW+C at 5.600°K with Medium Black H.Comb Central Light intensity (Candle Power)	6.618 cd	1.654 lux 154 FC	735 lux 68 FC	265 lux 25 FC
S4 VW+C at 5.600°K with Narrow Black H.Comb Central Light intensity (Candle Power)	6.339 cd	1.585 lux 147 FC	704 lux 65 FC	254 lux 24 FC

Light beam Width with Beam Angle w/o accessories	110°	5,71 mt 18.7 ft	8,57 mt 28.1 ft	14,28 mt 46.9 ft
Light beam Height with Beam Angle w/o accessories	96°	4,44 mt 14.6 ft	6,66 mt 21.9 ft	11,11 mt 36.4 ft
Light beam Width with Beam Angle with Medium Black H.Comb	60°	2,31 mt 7.6 ft	3,46 mt 11.4 ft	5,77 mt 18.9 ft
Light beam Height with Beam Angle with Medium Black H.Comb	55°	2,08 mt 6.8 ft	3,12 mt 10.2 ft	5,21 mt 17.1 ft
Light beam Width with Beam Angle with Narrow Black H.Comb	35°	1,26 mt 4.1 ft	1,89 mt 6.2 ft	3,15 mt 10.3 ft
Light beam Height with Beam Angle with Narrow Black H.Comb	35°	1,26 mt 4.1 ft	1,89 mt 6.2 ft	3,15 mt 10.3 ft

# SOFT LED 4 VW + C

## OPTIONALS & ACCESSORIES

<b>S4VW+C.XO.DIN</b>	adder code to order DIN Spigot
<b>S4-HCN</b>	BLACK Honeycomb for SOFT LED 4 fixtures, 1/4" black honeycomb, NARROW.
<b>S4-HCM</b>	BLACK Honeycomb for SOFT LED 4 units, 1/2" black honeycomb, MEDIUM.
<b>S4-IN</b>	Intensifier for SOFT LED 4 fixtures
<b>S4-CF</b>	Color Frame for SOFT LED 4 fixtures
<b>S4-CYC</b>	Cyclorama HOOD for asymmetrical emission of SOFT LED 4 fixtures to illuminate backgrounds & cycs.
<b>S4MO.110.40</b>	Manual Operated Stirrup with B.S. spigot for SOFT LED 4 fixtures
<b>S4MO.220.40</b>	Manual Operated stirrup (w/o spigot) for SOFT LED 4 fixtures
<b>S4PO.110.40</b>	Pole Operated Stirrup with B.S. spigot for SOFT LED 4 fixtures
<b>S4PO.300.40</b>	Pole Operated Stirrup with DIN spigot for SOFT LED 4 fixtures