

SOFT LED 4



DATASHEET

DeSisti

SOFT LED 4

LED Softlight 180W - CRI>95
White light, either Tungsten or Daylight balanced

OVERVIEW

The SOFT LED 4 180W is the DE SISTI answer to the increasing demand of COMPACT FIXTURES for SOFTLIGHTING.

It is available with a FIXED WHITE CCT either Tungsten balanced or Daylight balanced (CRI>95)

It provides a super even - soft beam projection and the following main features:

- a controlled Beam and SOFT White Source, ideal for multiple camera use in the studio, with more effective control of the beam projection and effective Honeycombs
- a beautiful EVEN DISTRIBUTION and a real quality projection with precise reference white.
- NO PIXEL EFFECT from the LED (which is a problem from many other Brand's LED PANELS in the market).
- Contained Size, reduced weight and exceptional efficiency for energy savings and lit Talent comfort.
- Choice of Manual or Pole operation, the full dimming is through DMX and the LEDs are supplied with DC throughout the 0 to 100% dimming range, for a full FLICKER FREE operation and super smooth cross fades.
- The unit is self contained and requires no other external power supplies or devices....both Mains and DMX connections are DAISY Chainable.

MODEL	DESCRIPTION
S4T.MO	SoftLED 4 T - Tungsten CCT, Manual Operated
S4T.PO	SoftLED 4 T - Tungsten CCT, Pole Operated
S4D.MO	SoftLED 4 D - Daylight CCT, Manual Operated
S4D.PO	SoftLED 4 D - Daylight CCT, Pole Operated



WHAT'S INSIDE

FIXTURE HEAD

POWERCON IN & OUT PANEL CONNECTORS.
XLR 5 Pin DMX IN & OUT PANEL CONNECTORS.
180W LED engine
Built In Universal Power Supply 90-250V
50/60Hz DMX controlled.

YOKES

Manual Operated Versions

Mod. S4MO.110.40 M.O. stirrup with 28,57 mm. spigot (B.S. 1-1/8"), with top end for "C" clamp

Pole Operated Versions

Mod. S4MO.110.40 P.O. yoke with 28,57 mm. spigot (B.S. 1-1/8"), with top end for "C" clamp

ACCESSORIES

Mod. S4DIF Diffuser Panel for SOFT LED 4

CABLES

Mod. 5403.135 3 mt. (9.8 ft) detachable Blue POWERCON power cable with bare ends.

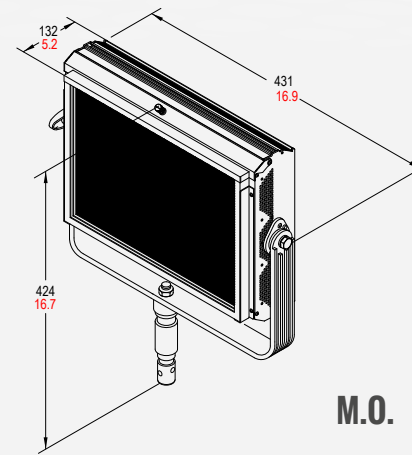
DMX cable is not included, to be ordered separately

SOFT LED 4

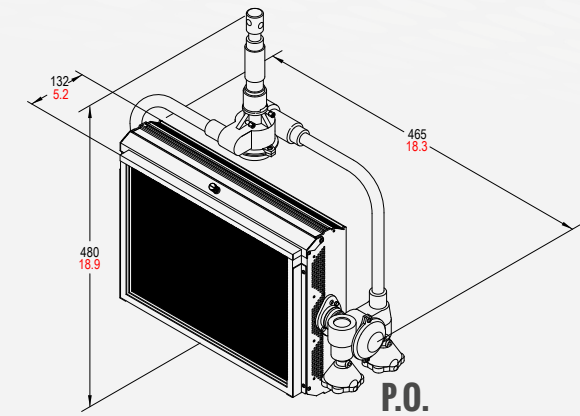
FEATURES

Power to LED	180W - DC current to the LED - flicker free
Rated Voltage & PFC	90-250V 50-60Hz PFC 0,96
Power consumption	200W @ 230V 205W @120V
Power Connection	powerCON IN & OUT
DMX Data link USITT DMX512-A	5-pin XLR for DMX in & out. Use shielded data cables. Do not overload the daisy chain. Up to a maximum of 32 devices can be used on a single DMX chain.
DMX Channels	1 @ 8bit 2 @ 16bit
LED BOARDS Lifetime	50.000 hours with 70% Lumen Maintenance. The LED BOARDS are tested and certified up to LM80
CCT	T: 3.200°K D: 5.600°K
CRI / TLCI	T: 96 / 96 D: 96 / 96
Protection Type	IP22
Max. Housing Surface Temperature	70° C
Weight of Fixture with yoke (integrated PSU)	M.O. 5,5 Kg (12.1 lb) P.O. 6,7 Kg (14.8 lb)

DIMENSION



M.O.



P.O.

FEATURES

Rugged and Lightweight Aluminium extrusion housing with Black Oxidation low glare finishing

High efficiency, silent passive heat management. Thermal stabilization of the LED operating temperature is managed by an internal thermal sensor and CPU, variable fan speed and heat sink to maintain the LEDs at optimal constant temperature.

DMX (or local) control of the Light intensity from 0 to 100% with smooth transition and theatrical quality dimming...flicker free at any dimming level.

100% flicker free system with universal Power Supply unit 90-250V to work in every condition and frame rate.

The accessories are secure regardless of the orientation of the fixture. Accessories have been designed for one hand installation.

Available with either positive lock manual yokes for comfort and ease of handling, or pole operated yokes which can be used via the lighting pole for Panning and Tilting the lights as well as manually, since the mechanical activators are equipped with clutches.

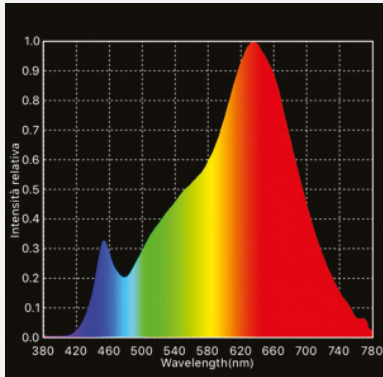
Honeycombs and intensifier accessories work perfectly to shape and control the beam spread.

DMX daisy chaining and Power Pass Through features allow for quicker installations of the lighting system.

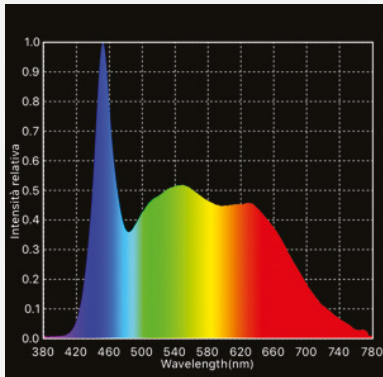
SOFT LED 4

SPECTRUM

TUNGSTEN CCT



DAYLIGHT CCT



PHOTOMETRICS

C.C.T. (Correlated Color Temperature) balanced to match 3.200°K TUNGSTEN LAMPS - 180W (CRI>95 - TLCI>96)

Illumination center values at the following distances

2 mt 6.6 ft	3 mt 9.8 ft	5 mt 16.4 ft
----------------	----------------	-----------------

SL4 Tungsten w/o Front Accessories Central Light intensity (Candle Power)	6.102 cd	1.526 lux 142 FC	678 lux 63 FC	244 lux 23 FC
SL4 Tungsten with Medium Black H.Comb Central Light intensity (Candle Power)	5.211 cd	1.303 lux 121 FC	579 lux 54 FC	208 lux 19 FC
SL4 Tungsten with Narrow Black H.Comb Central Light intensity (Candle Power)	4.992 cd	1.248 lux 116 FC	555 lux 52 FC	200 lux 19 FC

C.C.T. (Correlated Color Temperature) balanced to match 5.600°K DAYLIGHT LAMPS - 180W (CRI>95 - TLCI>96)

Illumination center values at the following distances

2 mt 6.6 ft	3 mt 9.8 ft	5 mt 16.4 ft
----------------	----------------	-----------------

SL4 Daylight w/o Front Accessories Central Light intensity (Candle Power)	7.749 cd	1.937 lux 180 FC	861 lux 80 FC	310 lux 29 FC
SL4 Daylight with Medium Black H.Comb Central Light intensity (Candle Power)	6.618 cd	1.654 lux 154 FC	735 lux 68 FC	265 lux 25 FC
SL4 Daylight with Narrow Black H.Comb Central Light intensity (Candle Power)	6.339 cd	1.585 lux 98 FC	704 lux 65 FC	254 lux 24 FC

BEAM COVERAGE ON SOFT LED 4 - 180W

Light beam Width with Beam Angle w/o accessories	110°	5,71 mt 18.7 ft	8,57 mt 28.1 ft	14,28 mt 46.9 ft
Light beam Height with Beam Angle w/o accessories	96°	4,44 mt 14.6 ft	6,66 mt 21.9 ft	11,11 mt 36.4 ft
Light beam Width with Beam Angle with Medium Black H.Comb	60°	2,31 mt 7.6 ft	3,46 mt 11.4 ft	5,77 mt 18.9 ft
Light beam Height with Beam Angle with Medium Black H.Comb	55°	2,08 mt 6.8 ft	3,12 mt 10.2 ft	5,21 mt 17.1 ft
Light beam Width with Beam Angle with Narrow Black H.Comb	35°	1,26 mt 4.1 ft	1,89 mt 6.2 ft	3,15 mt 10.3 ft
Light beam Height with Beam Angle with Narrow Black H.Comb	35°	1,26 mt 4.1 ft	1,89 mt 6.2 ft	3,15 mt 10.3 ft

SOFT LED 4

OPTIONALS & ACCESSORIES

S4PX.X0.DIN	<i>add code to order DIN Spigot</i>
S4-HCN	<i>BLACK Honeycomb for SOFT LED 4 fixtures, 1/4" black honeycomb, NARROW.</i>
S4-HCM	<i>BLACK Honeycomb for SOFT LED 4 units, 1/2" black honeycomb, MEDIUM.</i>
S4-IN	<i>Intensifier for SOFT LED 4 fixtures</i>
S4-CF	<i>Color Frame for SOFT LED 4 fixtures</i>
S4-CYC	<i>Cyclorama HOOD for asymmetrical emission of SOFT LED 4 fixtures to illuminate backgrounds & cycs.</i>
S4MO.110.40	<i>Manual Operated Stirrup with B.S. spigot for SOFT LED 4 fixtures</i>
S4MO.220.40	<i>Manual Operated stirrup (w/o spigot) for SOFT LED 4 fixtures</i>
S4PO.110.40	<i>Pole Operated Stirrup with B.S. spigot for SOFT LED 4 fixtures</i>
S4PO.300.40	<i>Pole Operated Stirrup with DIN spigot for SOFT LED 4 fixtures</i>