

// SOFT LED 1



Vari-White at C.C.T. (Correlated Color Temperature) balanced to 2,800°K - 60W (CRI>95 - TlCl>96)

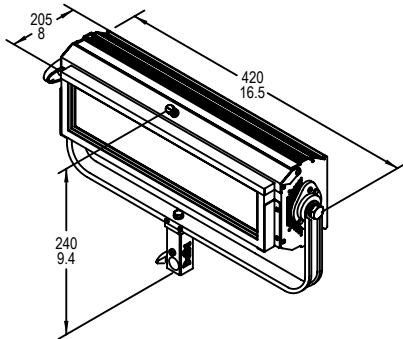
Illumination center values at the following distances

	2 mt 6.6 ft	3 mt 9.8 ft	5 mt 16.4 ft
SL1 VW at 2,800°K w/o Front Accessories Central Light Intensity (Candle Power)	990 cd 248 lux 23 FC	110 lux 10.2 FC	40 lux 3.7 FC
SL1 VW at 2,800°K with Medium Black H.Comb Central Light Intensity (Candle Power)	693 cd 173 lux 16 FC	77 lux 7.1 FC	28 lux 2.6 FC
SL1 VW at 2,800°K with Narrow Black H.Comb Central Light Intensity (Candle Power)	567 cd 142 lux 13.2 FC	63 lux 5.8 FC	23 lux 2.1 FC

Vari-White at C.C.T. (Correlated Color Temperature) balanced to 6,500°K - 60W (CRI>95 - TlCl>96)

Illumination center values at the following distances

	2 mt 6.6 ft	3 mt 9.8 ft	5 mt 16.4 ft
SL1 VW at 6,500°K w/o Front Accessories Central Light Intensity (Candle Power)	1,107 cd 277 lux 25.7 FC	123 lux 11.4 FC	44 lux 4.1 FC
SL1 VW at 6,500°K with Medium Black H.Comb Central Light Intensity (Candle Power)	774 cd 194 lux 18 FC	86 lux 8 FC	31 lux 2.9 FC
SL1 VW at 6,500°K with Narrow Black H.Comb Central Light Intensity (Candle Power)	630 cd 158 lux 14.7 FC	70 lux 6.5 FC	25 lux 2.3 FC



C.C.T. (Correlated Color Temperature) balanced to match 3,200°K TUNGSTEN LAMPS - 60W (CRI>97)

Illumination center values at the following distances

	2 mt 6.6 ft	3 mt 9.8 ft	5 mt 16.4 ft
SL1 Tungsten w/o Front Accessories Central Light Intensity (Candle Power)	900 cd 225 lux 20.9 FC	100 lux 9.3 FC	36 lux 3.3 FC
SL1 Tungsten with Medium Black H.Comb Central Light Intensity (Candle Power)	630 cd 158 lux 14.7 FC	70 lux 6.5 FC	25 lux 2.3 FC
SL1 Tungsten with Narrow Black H.Comb Central Light Intensity (Candle Power)	513 cd 128 lux 11.9 FC	57 lux 5.3 FC	21 lux 1.9 FC

C.C.T. (Correlated Color Temperature) balanced to match 5,600°K DAYLIGHT LAMPS - 60W (CRI>92)

Illumination center values at the following distances

	2 mt 6.6 ft	3 mt 9.8 ft	5 mt 16.4 ft
SL1 Daylight w/o Front Accessories Central Light Intensity (Candle Power)	990 cd 248 lux 23 FC	110 lux 10.2 FC	40 lux 3.7 FC
SL1 Daylight with Medium Black H.Comb Central Light Intensity (Candle Power)	693 cd 173 lux 16 FC	77 lux 7.1 FC	28 lux 2.6 FC
SL1 Daylight with Narrow Black H.Comb Central Light Intensity (Candle Power)	567 cd 142 lux 13.2 FC	63 lux 5.8 FC	23 lux 2.1 FC

BEAM COVERAGE ON SOFT LED 1 - 60W

Light beam Width with Beam Angle w/o accessories	110.0°	5.71 mt 18.7 ft	8.57 mt 28.1 ft	14.28 mt 46.8 ft
Light beam Height with Beam Angle w/o accessories	96.0°	4.44 mt 14.5 ft	6.66 mt 21.8 ft	11.11 mt 36.4 ft
Light beam Width with Beam Angle with Medium Black H.Comb	60.0°	2.31 mt 7.6 ft	3.46 mt 11.3 ft	5.77 mt 18.9 ft
Light beam Height with Beam Angle with Medium Black H.Comb	55.0°	2.08 mt 6.8 ft	3.12 mt 10.2 ft	5.21 mt 17.1 ft
Light beam Width with Beam Angle with Narrow Black H.Comb	35.0°	1.26 mt 4.1 ft	1.89 mt 6.2 ft	3.15 mt 10.3 ft
Light beam Height with Beam Angle with Narrow Black H.Comb	35.0°	1.26 mt 4.1 ft	1.89 mt 6.2 ft	3.15 mt 10.3 ft

PHOTOMETRIC DATA
PRELIMINARY INFORMATION