

Piccoletto Color



DATASHEET

DeSisti

Piccoletto Color

The Miniature LED Fresnel 35W - COLOR TUNABLE

360° Hue and 0-100% Saturation with Tunable Correlated Color Temperature from 1.650 to 8.000°K

OVERVIEW

Piccoletto in Italian translates to Very Small. It was the nickname given to Mario De Sisti the beloved founder of DeSisti by the Cinecittà Studio gaffers in the 1950's when Mario started working at age ten. The Piccoletto commemorates Mario DeSisti's exceptional career and achievements in the professional lighting industry as a designer and innovator.

The Piccoletto name is engraved with Mario's personal handwriting to help preserve his legacy as the genius behind one of the leading international lighting brands in the World.

Mario De Sisti → Piccoletto

The PICCOLETTO is a high efficiency Fresnel lens spotlight using a Hive Lighting 5 COLOR CHIP LED ARRAY and with an enhanced CRI (Color Rendering Index) higher than 95 for appropriate chromacity performances. The PICCOLETTO provides the ability to tune in 360° HUE with 0-100% Saturation and to tune the Correlated Color Temperature from a minimum of 1.650°K to a maximum of 8.000°K with an enhanced CRI (Color Rendering Index) higher than 95 at any CCT within the range.

The fixture combines the classical SPOT/FLOOD beam control on an equivalent FOCUS RANGE to a conventional lamp Fresnel, with an excellent barn door cutting

MODEL	DESCRIPTION
100C.F	Piccoletto C DMX - 5 Colors LED, Manual Operated
100C.FT	Piccoletto C DMX - 5 colors LED, Track mount



WHAT'S INSIDE

FIXTURE HEAD

80 mm. (3-5/32") diameter Fresnel lens
Remote DMX/ RDM Control and Bluetooth
2 m. power cord 3x0,5 sqmm. bare ends
XLR 5 Pin DMX IN & OUT PANEL CONNECTORS.
35W high output HIVE LED 5 colors array
Tunable CCT from 1.650°K till 8.000 °K
Built In Universal Power Supply 90-250V
50/60Hz DMX controlled.

YOKES

Manual Operated Versions

Mod. 100.110.40 M.O. stirrup with with 16 mm.
(5/8") Receiver (Socket)

Track Mount Versions

M.O. stirrup with hole to accept track adapter mounting.
DMX and Mains Cables are guided on the yoke and with bare ends to mount on track adapter

ACCESSORIES

Mod. 106.100 four leaf rotating barndoor
Mod. 107.100 color frame

DMX cable is not included, to be ordered separately

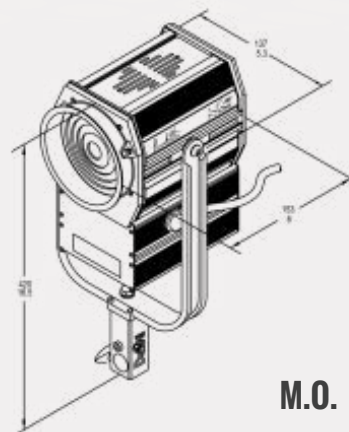


Piccoletto Color

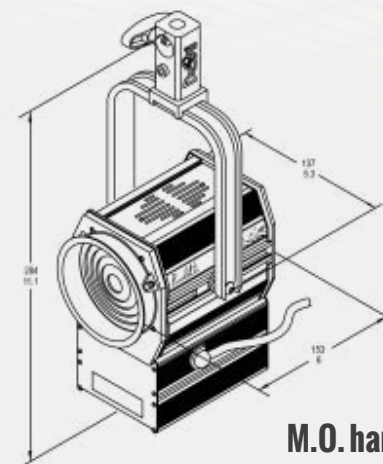
FEATURES

Power to LED	35W - DC current to the LED - flicker free
Rated Voltage & PFC	90-250V 50-60Hz PFC 0,96
Power consumption	40W @ 230V 40W @120V
Power Cable	2 m. power cord 3x0,5 sqmm
DMX Data link USITT DMX512-A	5-pin XLR for DMX in & out. Use shielded data cables. Do not overload the daisy chain. Up to a maximum of 32 devices can be used on a single DMX chain.
DMX Channels	4: Dimmer/Light Intensity, CCT Control, Saturation Level, Hue
LED ARRAY Lifetime	50.000 hours with 70% Lumen Maintenance. The LED ARRAYS are tested and certified up to LM80
CCT	Tunable from 1.650°K to 8.000°K
CRI / TLCI	CRI>95 TLCI:96
Protection Type	IP22
Max. Housing Surface Temperature	60° C
Weight of Fixture included yoke	0,95 Kg (2.1 lb)
Weight of Barndoor	4 leaf 0,1 Kg (0.22 lb)
Weight of Detachable Power Supply 90-250V	0,32 Kg (0.71 lb)
Lens diameter	80mm / 3-5/32"

DIMENSION



M.O.



M.O. hanged

FEATURES

80 mm diameter high quality, shock resistant Borosilicate glass Fresnel lens.

The Lighting Fixture is DMX Controlled for:

- 0 to 100% with a super smooth Dimming
- CCT Control: 1.650°K to 8.000°K
- 0-100% Saturation
- 360° Hue selection.

Rugged and Lightweight aluminium housing with low glare black epoxy powder coating, internal double walls and reinforces, an exact miniature of bigger lights.

By using a combination of primary, secondary and tertiary colored LEDs (Red, Amber, Lime, Cyan and Sapphire) Hive LEDs create a more complete and even spectrum than traditional RGBW. A proprietary algorithm combines the 5 different colors into a brilliant white-balanced light and millions of saturated color combinations.

CCT with a range from 1.650°K to 8.000°K

High efficiency Self Stabilizing Active Cooling: Automatic, thermal stabilization of the LED operating temperature is managed by an internal thermal sensor and CPU, variable speed fan and heat sink to maintain the LED Array's constant temperature at a maximum of 65°C. The hydro dynamic bearing fan operates silently with a very low RPM.
Special Patented Optics for LED Technology.

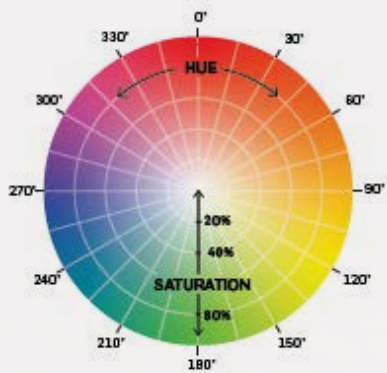
Linear Bearing sliding focus mechanism which guides the LED ENGINE. This ensures smooth operation during focusing, in any tilting position of the fixture.

The accessories are secure regardless of the orientation of the fixture. Accessories have been designed for one hand installation.

Piccoletto Color

PHOTOS

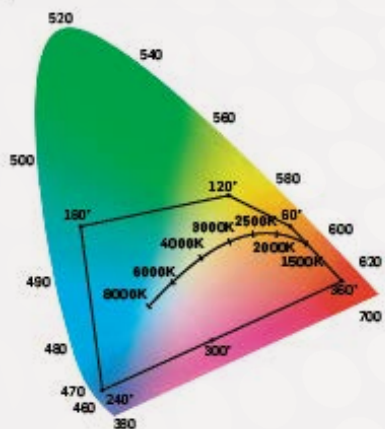
360° HUE & 0-100% SATURATION



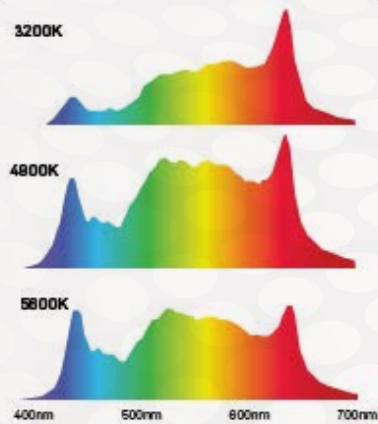
5 CHIP LED COLOR BLENDING



COLOR GAMUT



FULL SPECTRUM



Piccoletto Color

OPTIONALS & ACCESSORIES

106.100	Four leaf rotating barndoor
106.200	Eight way rotating barndoor
107.100	Color frame
5402.503	DMX DAISY CHAIN CABLE 3 mt. (10') LONG, including: - 3 mt. (10') cable terminated with XLR 5 pin Connectors (male and female) at the ends, to allow daisy chain of DMX fixtures.
Mains / DMX Adapter c/W Ass'y	Supply of MAINS / DMX Adapter for E-Track Black, including Assembling onto the Lighting Fixture's Yoke, connections and testing
EUT-225-20-2	E-TRACK Mains/DMX Black Track 2m. Long 7-conductor surface track for three circuits plus data bus, black color
EUT-225-30-2	E-TRACK Mains/DMX Black Track 3 mt. Long 7-conductor surface track for three circuits plus data bus, black color
EUT-225-40-2	E-TRACK Mains/DMX Black Track 4 mt. Long 7-conductor surface track for three circuits plus data bus, black color
EUT-555-2-1206-2	Linear Junction for E-TRACK Mains/DMX Black Straight coupler
EUT-555-2-1201-2	End feed right black for E-TRACK Mains/DMX Black
EUT-555-0-1217-2	End cup black for E-TRACK Mains/DMX Black
EUT-99-075-2	Pendant clip black for suspension by steel wire or pendant rod, incl. M13 x 1 nut material: aluminium anodized or powder coated for E-TRACK Mains/DMX Black
Color option	SPECIAL COLOR ADDER COST Option for PICCOLETTO Choice between - White / Silver / Gold / Chrome Some Functional Parts of the product will remain of the original material color or black painted. Please verify with DE SISTI the exact COLORATION on a sample unit