



# Otello 6 HD VariWhite

Product code: F044G000M

## KEY FEATURES

- Fresnel lens
- HD electronics and LCD display
- Motorized zoom (manual / PO version available)
- Continuously variable CCT from 2.800 to 6.500 K (CRI avg. > 94)
- Electronic 16 bit dimming with 4 selectable curves (Exponential, Logarithmic, Linear and Halo) digitally processed at 20 bit
- Dim-to-Warm function
- Fan setting with 4 different options (Low, Auto, Studio or DMX regulated)
- Guaranteed flicker-free



## SPECIFICATIONS

- CCT proportional control from 2.800 to 6.500 K
- Fresnel lens (diameter: 150 mm / 5.9 in)
- HD electronics and LCD display
- Motorized zoom range from 14° to 81° (manual / PO zoom available)
- Electronic 16 bit dimming with 4 selectable curves (exponential, logarithmic, linear and halo) digitally processed at 20 bit
- Synchronized, random or pulse electronic strobe
- Guaranteed flicker-free operation (20.000 Hz LED refresh rate)
- Fan setting with 4 different options (low, auto, studio or DMX regulated)
- IP rating: 20
- CE approved

## LIGHT SOURCE

- Variable white LEDs module (CRI 92 at 3.200 K - CRI 95 at 5.600 K)
- Average LED lifetime: a minimum of 80% of the initial luminous flux will be maintained after approx. 50.000 hours of usage (50.000 LM80)

## PHYSICAL SIZE

- Length: 425.5 mm (16.76 in)
- Width: 277.7 mm (10.93 in)
- Height: 267.3 mm (10.52 in)
- Height with bracket: 384.2 mm (15.13 in)
- Weight: 9.5 Kg (20.94 lbs)

## CONTROL PROTOCOL AND PROGRAMMING

- USITT DMX512A
- DMX channels (motorized zoom version): 6 / 4
- DMX channels (manual / PO zoom version): 5 / 2 / 1
- Setting, addressing, testing and measurements via LCD display
- RDM (Remote Device Management)

## ELECTRICAL SPECIFICATIONS AND CONNECTIONS

- AC power: 80-264 V, auto-sensing, 50/60 Hz
- Max power consumption (motorized zoom): 200 W
- Max power consumption (manual / PO zoom): 190 W
- Power consumption (motorized zoom): 0.93 A at 230 V, 1.77 A at 115 V -  $\cos\phi$  0.94 min.
- Power consumption (manual / PO zoom): 0.88 A at 230 V, 1.69 A at 115 V -  $\cos\phi$  0.94 min.
- In and Out PowerCon TRUE connectors
- DMX data in/out: 5 pin locking XLR

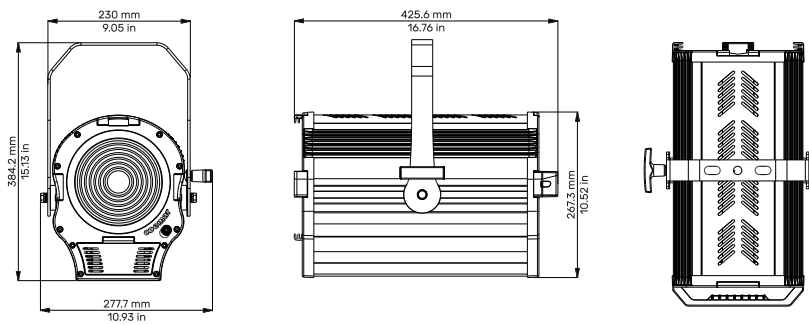
## ACCESSORIES

- 8-leaf barndoor
- Color frame holder

## AVAILABLE VERSIONS

- Pole operated zoom and yoke (F044G010M)
- Manual zoom and yoke (F044G090M)

## DRAWING SIZE



## DMX CHARTS

### Motorized zoom

6 channels	
1	master dimmer
2	dimmer fine
3	white tone
4	strobe effect
5	special functions
6	zoom

4 channels	
1	master dimmer
2	white tone
3	special function
4	zoom

5 channels	
1	master dimmer
2	dimmer fine
3	white tone
4	strobe effect
5	special functions

### Manual / PO zoom

2 channels	
1	master dimmer
2	white tone

1 channel	
1	master dimmer (color temperature settable by display)

## PHOTOMETRIC DATA

The Otello Photometric Data may be downloaded from [www.coemar.com](http://www.coemar.com).

## ACCESSORIES

Code	Description
TBC	8-leaf barndoor
TBC	Color frame holder