

# LEDko D Studio +

Product code:  
F11B000A

Last update:  
26/10/2022



## LEDko D Studio +

### Introducing

● Designed with new electronic and a new OLED display, this spot profile projector is the evolution of the Daylight. The + electronic with advanced LED controller enables a smooth dimming and it offers a higher luminous efficiency, with a color rendering index of the white range greater than 96. Very quick setup of the functions thanks to the potentiometer knob

### Key Features

- Daylight COB LED
- High CRI > 96
- CCT 5.600K
- LED profile spot
- High Lumen flux and flat field
- Swappable lens tube between 5°-90°
- Soft profiling thanks to Fresnel and PC optics (Coemar patent)
- Four blade framing system, each shutter blade is adjustable for radial position and angle
- 360° rotation of lens and framing system
- Body in flame-retardant thermoplastic engineering polymers
- Black, custom color on request (optional)
- Manual (standard) or Pole Operated Pan-Tilt (Optional)
- European Conformity certification

## General

● LED Source	Daylight COB LED
● CCT Range	●●●●● 5.600K
● Color Rendition Average	CRI 96, TLCI 98
● Dimming	Smooth 100% to 0%, 5 Selectable Curves - Exponential, Logarithmic, Linear, Halo and Standard
● Strobe	Synchronized, random or pulse electronic strobe
● Available Optics	Swappable lens tube between 5°-90°
● Camera flicker control/Hz range	Flicker-free operation with LEDs frequency controlled via DMX from 600 to 19.000 Hz
● Calibrated Cob	Yes
● Electronics Type	Guaranteed flicker-free operation (DMX controlled PWM frequency)
● L80 Rating (hours to 80% output)	50.000 Hours
● Pattern projection	Yes
● Pattern size	A or B

## Electrical

● Voltage Input	85-264V, 50/60Hz, auto-sensing
● Power Consumption	200W Maximum - 0.92 A at 230 V, 1.83 A at 115 V - $\cos\phi$ 0,95
● Power Connection	In and Out PowerCON TRUE1 connectors to feed up to 8 (at 230 V) or 4 (at 115 V) fixtures
● Data Connection	In and Out DMX 5 pin locking XLR connectors

## Thermal

● Ambient Operating Temperature	0°C - +40°C (32°F - 104°F)
● Cooling	Ultra-quiet cooling fan, controllable with 4 options: SILENT, STUDIO, AUTO, DMX regulated

## Control

● Control Variants	USITT DMX512A, RDM (Remote Device Management), Wireless (Optional By LumenRadio)
● RDM	DMX Setup, Fixture Status, RDM Commands (only DMX version)
● DMX Channels	5 / 1
● Display	Graphic OLED
● Software upload	Through DMX input (With RDM interface code AC10011A001)

## Physical

● Yoke	Manual (standard) or Pole Operated Pan-Tilt (Optional)
● Materials	Flame-retardant thermoplastic engineering polymers
● Framing System	Four blade framing system, each shutter blade is adjustable for radial position and angle
● High-Impact Resistant	Thermally insulated knobs and shutter handles
● Weight	Body: 6 Kg / 13.23 lbs - With Profile Zoom 28°/40° optic: 8.5 Kg / 18.74 lbs
● Length	Body: 362 mm / 14.25 in - With Profile Zoom 28°/40° optic: 601 mm / 23.66 in
● Height	189 mm / 7.44 in - With bracket: 372 mm / 14.64 in
● Width	212 mm / 8.35 in
● IP Rating	IP20
● Color options	Black, custom color on request (optional)
● Included accessories	1.5 m power cable with PowerCON TRUE1 and bare ends, gobo holder, front barrel

Optics

BC10011A017	Profile Zoom 15°-35°
BC10011A019	Profile Zoom 25°-50°
BC10011A003	Profile Zoom 28°-40°
BC10011A002	Soft Profile Fresnel Zoom 14°-40°
BC10011A001	Soft Profile PC Zoom 11°-38°
BC10011A000	Front Barrel with Burnished Blades
BC10011A041	Lens Tube Profile 5°
BC10011A042	Lens Tube Profile 10°
BC10011A023	Lens Tube Profile 14°
BC10011A012	Lens Tube Profile 19°
BC10011A013	Lens Tube Profile 26°
BC10011A015	Lens Tube Profile 36°
BC10011A016	Lens Tube Profile 50°
BC10011A024	Lens Tube Profile 70°
BC10011A025	Lens Tube Profile 90°

General accessories

ACO4202	4-Leaf Barndoor
BC10011A006	Magnetic Gobo Holder
BC10011A106	Metal Gobo Holder
BC10011A030	Gobo Holder for Glass Gobo
BC10011A010	Iris
BC10011A049	Gobo Holder for Iris Slot
BC10011A047	Hook Clamp, 48-51 mm (Max Load 20 Kg)
BC10011A045	Light Clamp Silver, 48-51 mm (Max 75 Kg)
BC10011A046	Light Clamp Black, 48-51 mm (Max 75 Kg)
BC10011A043	Clamp Silver Flat 13-30 mm/ø15-50 mm (Max 20 Kg)
BC10011A044	Clamp Black Flat 13-30 mm/ø15-50 mm (Max 20 Kg)

Accessories for Profile Zoom

BC10011A028	Donut (190.5 mm)
BC10011A027	Half Top Hat (190.5 mm)
BC10011A029	Top Hat (190.5 mm)
BC10011A040	Color Frame Holder (190.5 mm)

Accessories for Soft Profile Zoom

BC10011A036	Donut (185 mm)
BC10011A035	Half Top Hat (185 mm)
BC10011A037	Top Hat (185 mm)
ACO4204	Color Frame Holder (185 mm)

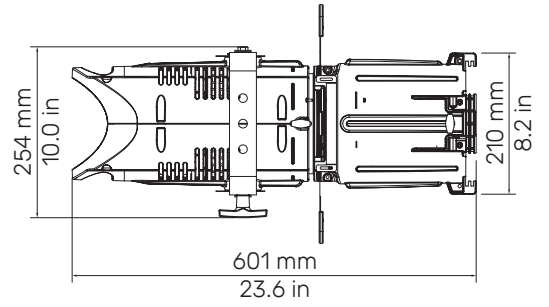
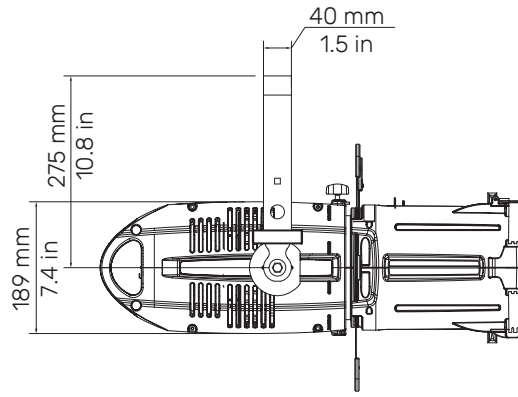
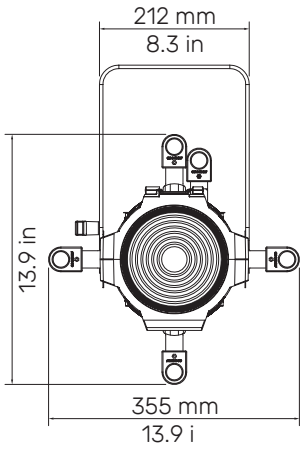
Accessories for Lens Tube

BC10011A032	Donut (159 mm)
BC10011A031	Half Top Hat (159 mm)
BC10011A033	Top Hat (159 mm)
BC10011A021	Color Frame Holder (159 mm)

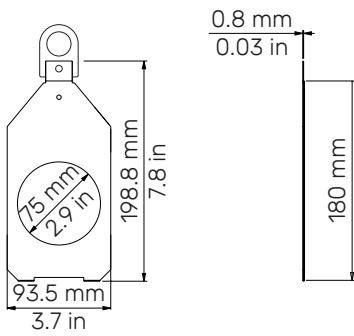
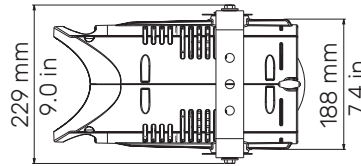
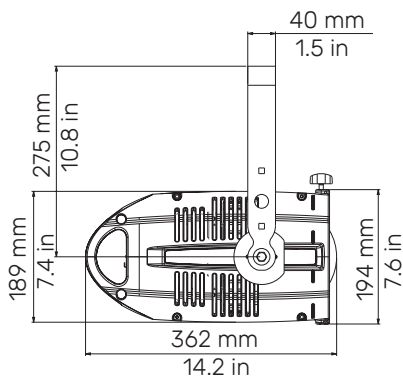
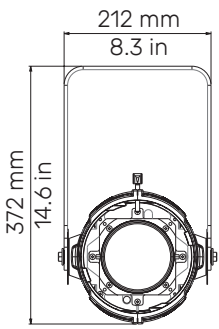
5 Channels  
01 → Master Dimmer  
02 → Spare Channel  
03 → Dimmer Fine  
04 → Strobe Effect  
05 → Special Function

1 Channel  
01 → Master Dimmer

Drawing Size

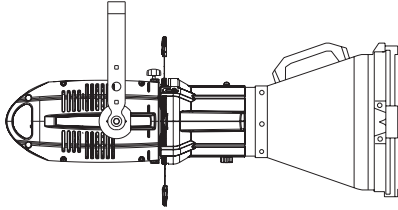
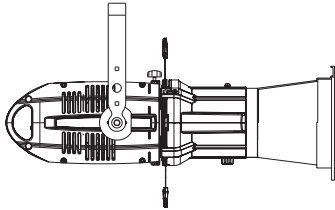
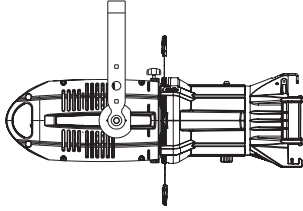
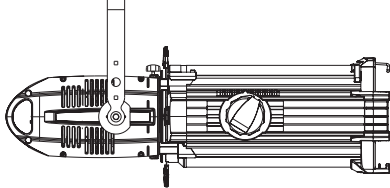
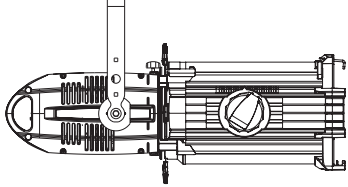
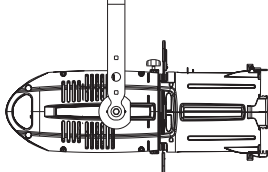


\* with Profile Zoom 28°/40° optic



\*magnetic gobo holder (optional)

LEDko Optics dimensions and weight

Product	Optics	Length	Weight
	Lens Tube Profile 10°	900 mm (35.4 in)	9 Kg (19.8 lbs)
	Lens Tube Profile 14°	750 mm (35.4 in)	9 Kg (19.8 lbs)
	Lens Tube Profile 70°	750 mm (35.4 in)	8.68 Kg (19.14 lbs)
	Lens Tube Profile 19°	670 mm (26.3 in)	9.15 Kg (20.17 lbs)
	Lens Tube Profile 26°	670 mm (26.3 in)	9.05 Kg (19.95 lbs)
	Lens Tube Profile 36°	670 mm (26.3 in)	9.35 Kg (20.60 lbs)
	Lens Tube Profile 50°	670 mm (26.3 in)	9.05 Kg (19.95 lbs)
	Profile Zoom 15°-35°	886 mm (34.9 in)	13.05 Kg (28.77 lbs)
	Profile Zoom 25°-50°	783 mm (30.8 in)	11.2 Kg (24.69 lbs)
	Profile Zoom 28°-40°	601 mm (23.7 in)	8.3 Kg (18.3 lbs)
	Soft Profile Fresnel Zoom 14°-40°	601 mm (23.7 in)	7.75 Kg (17.09 lbs)
	Soft Profile PC Zoom 11°-38°	601 mm (23.7 in)	8.25 Kg (18.19 lbs)

● Coemar Lighting S.r.l.

Via Carpenedolo, 90  
46043, Castiglione delle Stiviere (MN) – Italy

P. +39 0376 1514412

M1. [info@coemar.com](mailto:info@coemar.com)

M2. [service@coemar.com](mailto:service@coemar.com)

W. [coemar.com](http://coemar.com)

P.iva – C.f. 02415330204

