



LEDko D

Product code: **F011F000A (CRI 80) | F011D000A (CRI 90)**

KEY FEATURES

- LED profile spot
- Light source: Daylight COB LED
- Soft profiling thanks to Fresnel and PC optics (Coemar patent)
- Smooth 16 bit dimmer
- Guaranteed flicker-free operation (DMX controlled PWM frequency)
- The fan setting allows three options: low, auto, DMX regulated
- Instant gobos from standard printers



SPECIFICATIONS

- Fixed white CCT: 5.600 K
- Four blade framing system, each shutter blade is adjustable for radial position and angle
- Electronic 16 bit dimming with 3 selectable curves (exponential, logarithmic, linear)
- Synchronized, random or pulse electronic strobe
- Flicker-free operation with LEDs frequency controlled via DMX from 600 to 19.000 Hz
- Fan setting with 3 different options (low, auto, DMX regulated)
- CE approved
- IP rating: 20

LIGHT SOURCE

- Daylight COB LED (CRI 80, TLCI 72 / CRI 90, TLCI 91)
- Average LED lifetime: a minimum of 80% of the initial luminous flux will be maintained after approx. 50.000 hours of usage (50.000 LM80)

PHYSICAL SIZE

- Length: 362 mm (14.2 in)
- Length with Profile Zoom 28°/40° optic: 601 mm (23.6 in)
- Height: 189 mm (7.4 in)
- Height with bracket: 372 mm (14.6 in)
- Width: 212 mm (8.3 in)
- Weight: 6 kg (13.2 lbs)
- Weight with Profile Zoom 28°/40° optic: 8.5 Kg (18.7 lbs)

CONTROL PROTOCOL AND PROGRAMMING

- USITT DMX512A
- DMX channels: 5 / 1
- Setting, addressing, testing and measurements via LEDs display
- RDM (Remote Device Management)

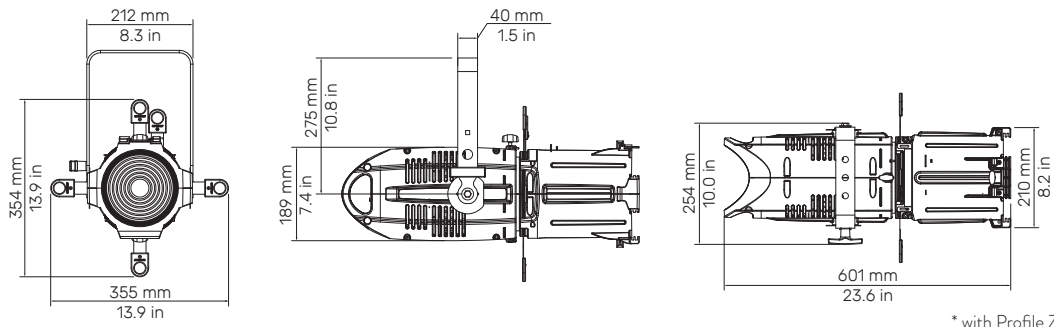
ELECTRICAL SPECIFICATIONS AND CONNECTIONS

- AC power: 85-264 V, auto-sensing, 50/60 Hz
- In and Out PowerCon connectors to feed up to 8 (at 230 V) or 4 (at 115 V) fixtures
- Max power consumption: 200 W
- Power consumption: 0.92 A at 230 V, 1.83 A at 115 V - cosφ 0,95
- DMX data in/out: 5 pin locking XLR

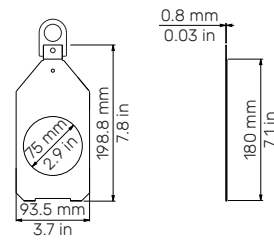
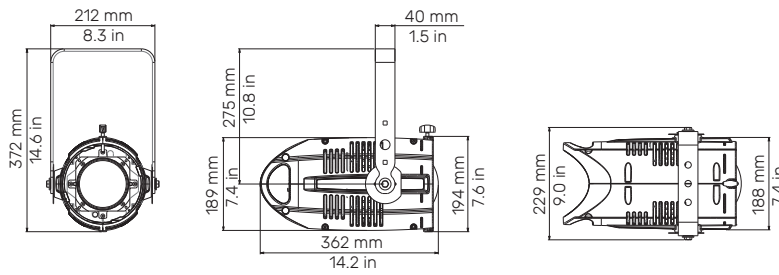
ACCESSORIES

- Color frame
- Magnetic gobo holder
- Metal gobo holder
- Gobo holder for glass gobo
- Gobo holder for iris slot
- Iris
- Donut
- Half top hat
- Top hat
- 4-leaf barndoor
- Flight case
- Optics: Profile/Soft Profile, Zoom Profile, Lens tube (various angles available)

DRAWING SIZE



* with Profile Zoom 28°/40° optic



* magnetic gobo holder (optional)

DMX CHARTS

5 channels	
1	master dimmer
2	spare channel
3	dimmer fine
4	strobe effect
5	special function

1 channel	
1	master dimmer

PHOTOMETRIC DATA

The LEDko Photometric Data may be downloaded from www.coemar.com.

ACCESSORIES

Optics

Code	Description
BC10011A017	Profile Zoom 15°-35°
BC10011A019	Profile Zoom 25°-50°
BC10011A003	Profile Zoom 28°-40°
BC10011A002	Soft Profile Fresnel Zoom 14° - 40°
BC10011A001	Soft Profile PC Zoom 11° - 38°
BC10011A200	Front barrel with burnished blades
BC10011A041*	Profile 5°, Lens Tube
BC10011A042*	Profile 10°, Lens Tube
BC10011A023*	Profile 14°, Lens Tube
BC10011A012*	Profile 19°, Lens Tube
BC10011A013*	Profile 26°, Lens Tube
BC10011A015*	Profile 36°, Lens Tube
BC10011A016*	Profile 50°, Lens Tube
BC10011A024*	Profile 70°, Lens Tube
BC10011A025*	Profile 90°, Lens Tube

Accessories for Profile Zoom

Code	Description
BC10011A028	Donut (190.5 mm)
BC10011A027	Half Top Hat (190.5 mm)
BC10011A029	Top Hat (190.5 mm)
BC10011A040	Color frame holder (190.5 mm)

Accessories for Soft Profile

Code	Description
BC10011A036	Donut (185 mm)
BC10011A035	Half Top Hat (185 mm)
BC10011A037	Top Hat (185 mm)
ACO4204	Color Frame Holder (185 mm)

Accessories for Lens Tube

Code	Description
BC10011A036	Donut (159 mm)
BC10011A035	Half Top Hat (159 mm)
BC10011A037	Top Hat (159 mm)
BC10011A021	Color Frame Holder (159 mm)

General accessories

Code	Description
ACO4202	4 leaf barndoor
BC10011A006	Magnetic gobo holder
BC10011A106	Metal gobo holder
BC10011A030	Gobo holder for glass gobo
BC10011A010	Iris
BC10011A049	Gobo holder for iris slot
BC10011A047	Hook Clamp, 48 - 51 mm (Safe Working Load 20 Kg.)
BC10011A045	Light Clamp silver, 48 - 51 mm (Safe Working Load 75 Kg.)
BC10011A046	Light Clamp black, 48 - 51 mm (Safe Working Load 75 Kg.)
BC10011A043	Clamp silver flat 13 - 30 mm / ø15 - 50 mm (Safe Working Load: 20 Kg.)
BC10011A044	Clamp black flat 13 - 30 mm / ø15 - 50 mm (Safe Working Load 20 Kg.)