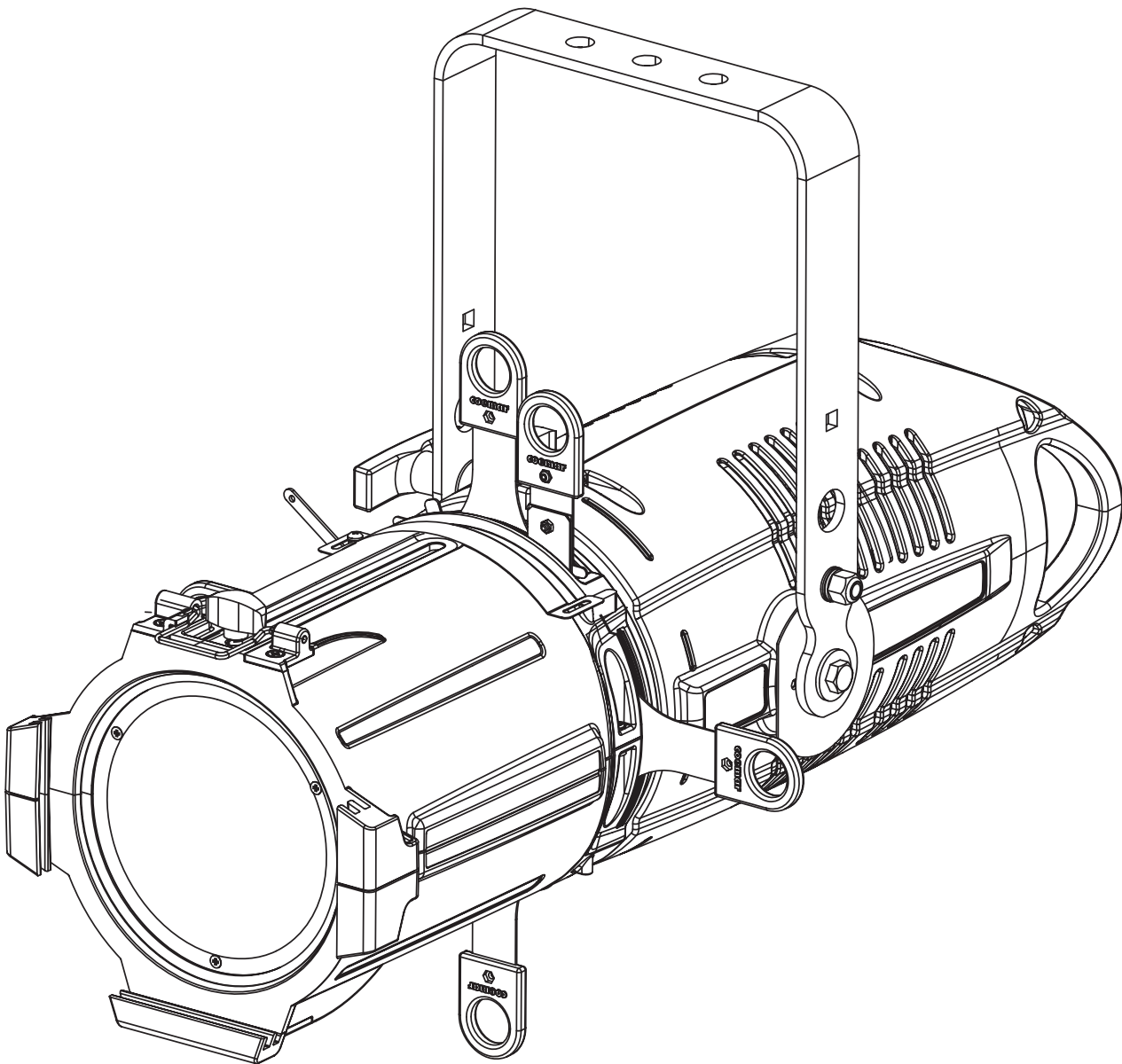


REFLECTION
LEDKO™ Basic



REFLECTION **LEDKO**TM **Basic**

Serial Number:

.....

Purchase date:

.....

Dealer:

.....

Address:

.....

Suburb:

.....

Country:

.....

Phone / Fax:

.....

Please note in the space provided above the relative service information of the model and the retailer from whom you purchased your **LEDko Basic**: this information will assist us in providing spare parts, repairs or in answering any technical enquiries with the utmost speed and accuracy.

WARNING: the security of the fixture is granted only if these instructions are strictly followed; therefore it is absolutely necessary to keep this manual.

Index

1. Packaging and transportation	Pag. 4
1.1 Packaging	Pag. 4
1.2 Transportation	Pag. 4
2. General information	Pag. 4
2.1 Safety informations	Pag. 4
2.2 Warranty conditions	Pag. 5
2.3 EC norms	Pag. 5
3. Product specifications	Pag. 6
3.1 Technical characteristics	Pag. 6
3.2 Dimensions	Pag. 6
3.3 Unit's main components	Pag. 7
3.4 Back panel description	Pag. 8
4. Installation	Pag. 9
4.1 Optical Installation	Pag. 9
4.2 Mechanical installation	Pag. 10
4.3 Safety chain	Pag. 10
4.4 Adjusting unit's tilt	Pag. 10
5. Powering up	Pag. 11
5.1 Operating voltage and frequency	Pag. 11
5.2 Connection to mains power	Pag. 11
6. Turning on the projector	Pag. 12
7. Accessories and spare parts	Pag. 13
8. Maintenance	Pag. 15
8.1 Periodic cleaning	Pag. 15
8.2 Periodic controls	Pag. 15
8.3 Fuses	Pag. 15
9. Accessories and spare parts	Pag. 16

Congratulations on having purchased a **Coemar** product. You have assured yourself of a fixture of the highest quality, both in componentry and in the technology used. We renew our invitation to you to complete the service information on the previous page, to expedite any request for service information or spares (in case of problems encountered either during, or subsequent to, installation). This information will assist in providing prompt and accurate advice from your **Coemar** service centre. Following the instructions and procedures outlined in this manual will ensure the maximum efficiency of this product for years to come.

1. Packaging and transportation

1.1 Packaging

Open the packaging and make sure that no part of the equipment has suffered any damage during the transportation. In case of damage to the fixture, contact your carrier and your supplier immediately by telephone, fax or email, and inform them you will formally notify them in writing through registered letter.

Packing list

Ensure the packaging contains:

- 1 LEDko Basic**
- 1 Instruction manual**
- 1 Main power plugs**

1.2 Transportation

The **LEDko Basic** should be transported in either its original packaging or in an appropriate flight case.

2. General information

2.1 Safety informations

Fire prevention:



- 1.** Never locate the fixture on any flammable surface.
- 2.** Minimum distance from flammable materials: 0,5 m.
- 3.** Minimum distance from the closet illuminable surface: 0,5 m.
- 4.** Replace any blown or damaged fuse only with those of identical values. Refer to the schematic diagram if there is any doubt.
- 5.** Connect the projector to mains power protected by a thermal magnetic circuit breaker.

Prevention from electric shock:



- 1.** Presence of high voltage inside of the fixture. Insulate the projector from mains supply before opening or performing any function which involves touching the inside of the fixture, including lamp replacement.
- 2.** For the connection to the mains, adhere strictly to the guidelines outlined in this manual.

- 3.** The level of technology of **LEDko Basic** requires the use of specialised personnel for all service applications; refer all work to your authorised **Coemar** service centre.
- 4.** A good earth connection is essential for the proper functioning of the projector. Never connect the fixture if there is no earth connection.
- 5.** Main cables must not come into contact with other cables.
- 6.** Do not operate the projector with wet hands or in an area where water is present.
- 7.** The fixture must never be located in an exposed position, or in areas of extreme humidity.

Safety:



- 1.** The projector must always be installed with bolts, clamps, or other fixing devices which are suitably rated to support the weight of the projector.
- 2.** Always use a secondary safety fixing device with chain or steel wire of a suitable rating to sustain the weight of the unit in case of failure of the principal fixing point.
- 3.** The external surfaces of the unit, at various points, may reach 60°C. Never handle the unit until at least 10 minutes have elapsed since the LED was turned off.
- 4.** Never install the fixture in an enclosed area lacking sufficient air flow; the room temperature must not exceed 35°C.
- 5.** The projector contains electronic and electrical components which must under no circumstances be in contact with water, oil or any other liquid. Failure to do so will compromise the proper functioning of the projector.

2.2 Warranty conditions

- 1.** The fixture is under warranty for 36 months from the purchase date against factory deflections.
- 2.** Damage ought to unskillfulness, inappropriate use, or lack of suggested maintenance are excluded from the warranty.
- 3.** Warranty expires when the projector is opened by unauthorized personnel.
- 4.** Warranty doesn't include the replacement of the fixture.
- 5.** Serial number and model of the fixture are necessary to retrieve informations and assistance from the dealer.

2.3 EC Norms

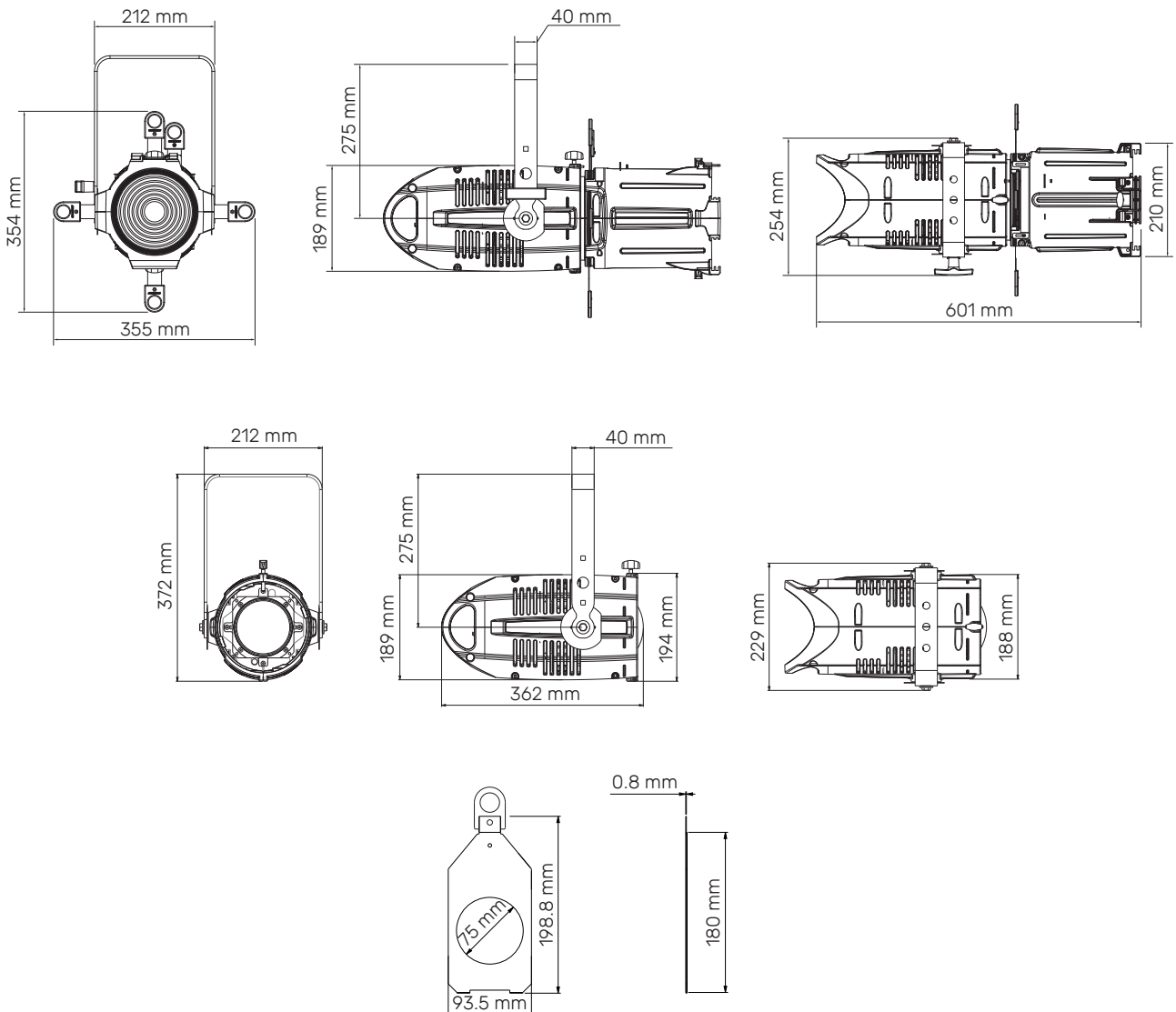
The projector meets all fundamental applicable EC requirements.

3. Product specifications

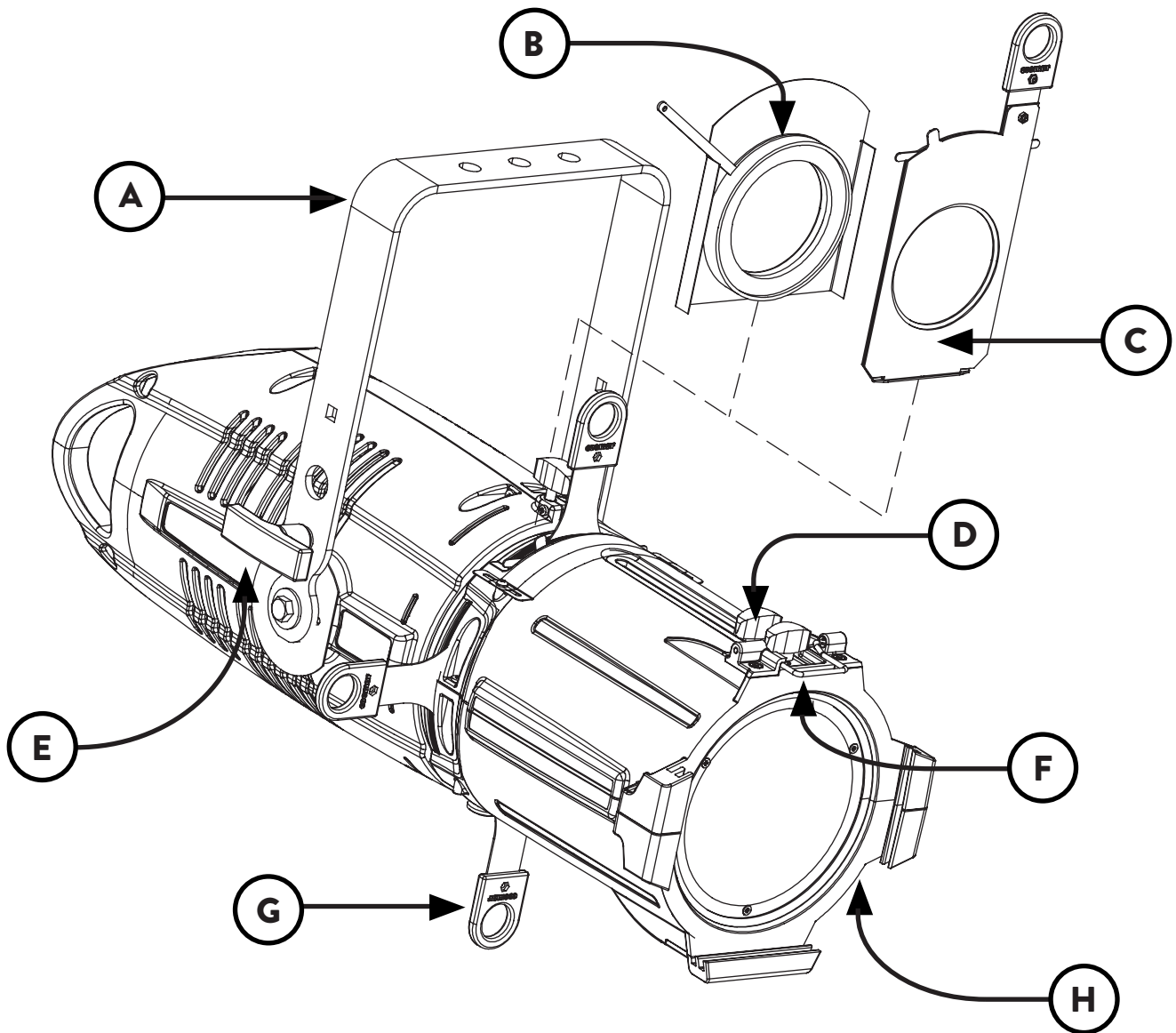
3.1 Technical characteristics

Power supply	90-305 V, auto-sensing, 50/60 Hz
Maximum current	0.6 A at 230 V, 1.27 A at 90 V
Power factor	$\text{Cos}\varphi = 0.96$
Max power consumption	140 W
Color temperature	Tungsten: 3.200 K, Daylight: 5.600 K
Color Rendering Index (CRI)	D and T models: CRI 80, CRI 90
Weight (without optic)	5.8 Kg - 12.8 lbs
Maximum room temperature	+35°C / +95°F
IP rating	20

3.2 Dimensions

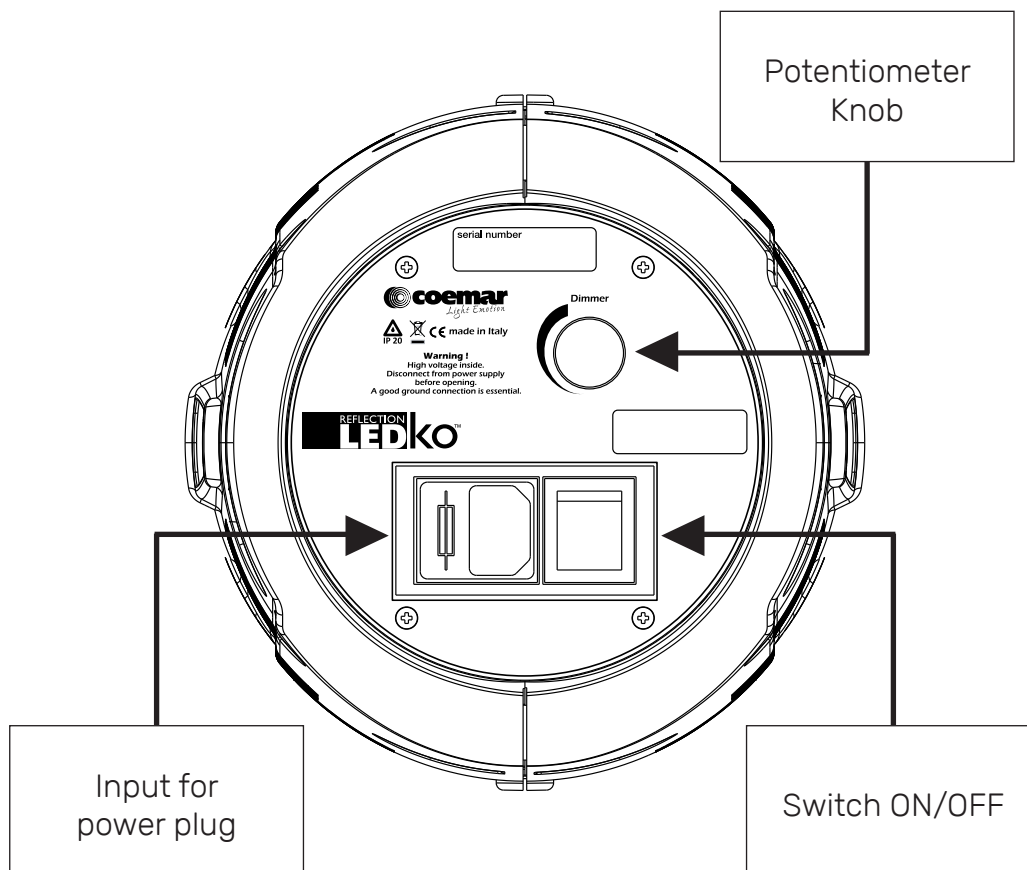


3.3 Unit's main components



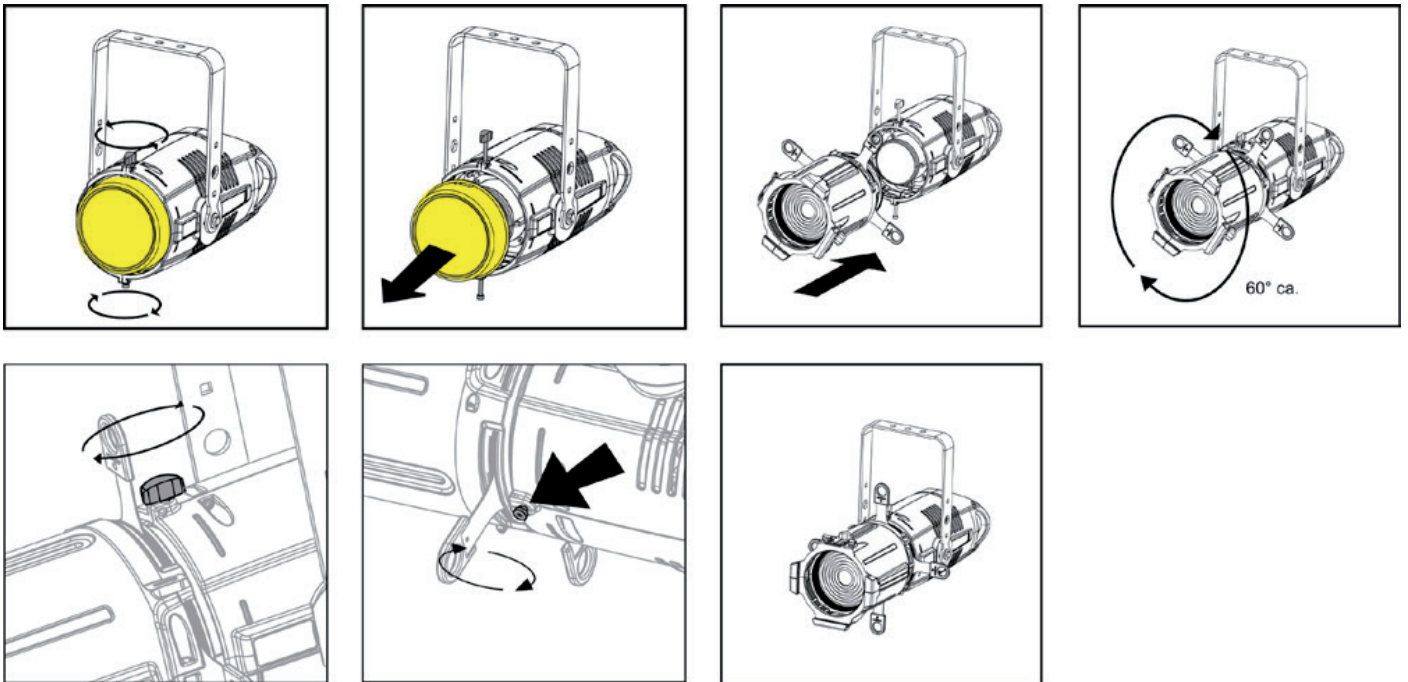
Components description	
A	Adjustable yoke
B	Iris (optional)
C	Gobo holder (optional)
D	Lens adjusting handles
E	Yoke locking handle
F	Gel frame locking spring
G	Profile blade
H	Interchangeable optic

3.4 Back panel description



4. Installation

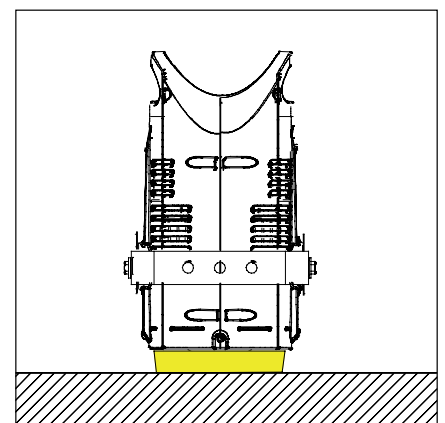
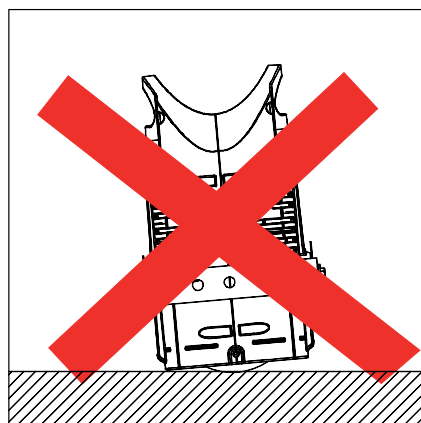
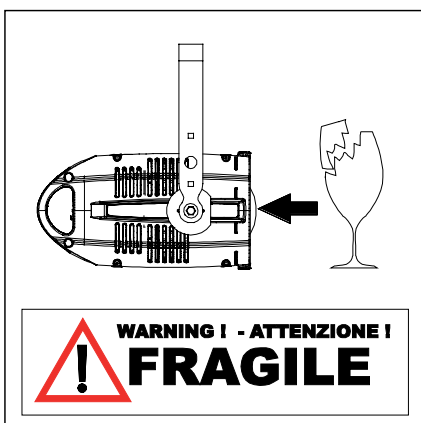
4.1 Optical installation



Remove the frontal cap by loosening the upper and lower screws enough to free the cap itself, set the optic's flange tilted about 60°. Insert the optic's flange into the body's receptacle and turn the optic 60° until it is firmly assembled to the projector body, free to rotate but not free to detach itself from the body. Ensure the optic to the body by tightening the two screws previously loosened.

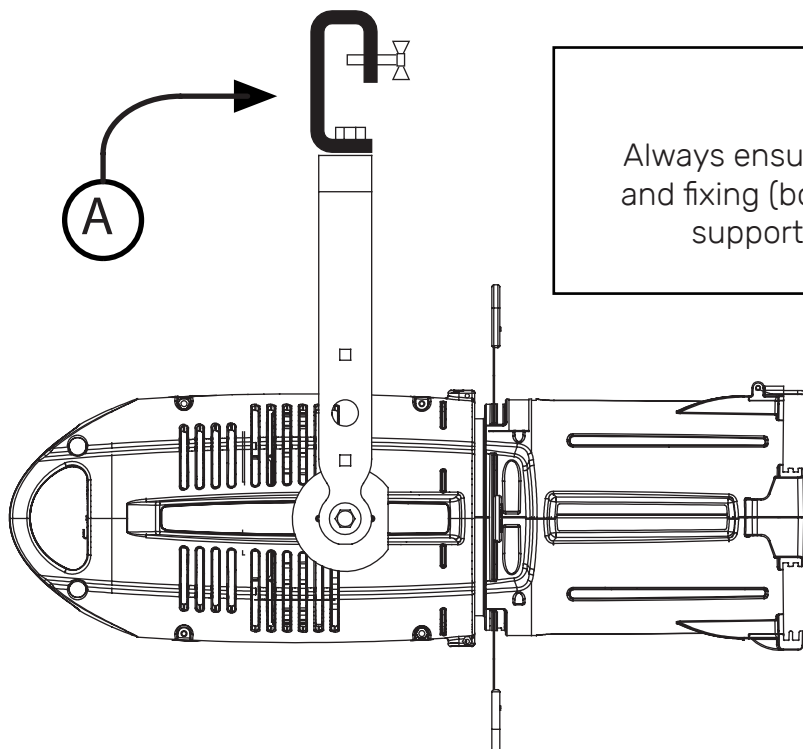
Warning!!

When the protective cap is removed, never lean the fixture facing down.
The front lens can be seriously damaged.



4.2 Mechanical installation

LEDko Basic may be hung from an appropriate structure in any position or on tripod. If hanging the fixture from a lighting truss or similar, we recommend the use of an appropriate clamp "A", as shown in the following diagram.



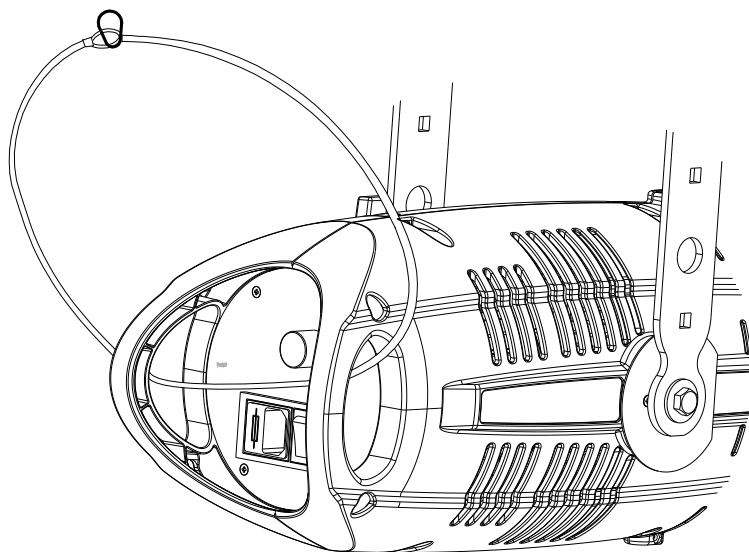
Warning!!

Always ensure that your support structure and fixing (bolts, clamps, etc...) are rated to support the weight of the fixture.

4.3 Safety chain

When hanging **LEDko Basic** it is recommended to use a safety chain, as required by current legislation. The safety chain must pass through the handles of the unit and then attached to the structure.

If using steel cables and chains not **Coemar's** production, make sure they are suitable to support the weight of the unit according to normative UL/ETL (required: the weight of 6 complete devices for at least one hour).



4.4 Adjusting unit's tilt

In order to adjust the tilt of the unit simply loose the side handle adjust the tilt and lock the yoke by tightening the handle again.

5. Powering up

5.1 Operating voltage and frequency

The unit may operate at voltage ranges from 90 to 230 V at a frequency of 50 or 60 Hz. It is not needed to effect any setup procedures: **LEDko Basic** will automatically adjust its operation to suit any frequency or voltage within this range.

5.2 Connection to mains power

Mains cable characteristics

The mains cable provided is thermally resistant, complying to the most recent International standards.

Note: in case of cable replacement, similar cable with comparable thermal resistant qualities must be used exclusively (cable 3 X 1,5 \varnothing external 10 mm, rated 300/500V, tested to 2 KV, operating temperature $-40^{\circ}\text{C} + 180^{\circ}\text{C}$, Coemar cod. CV5311).

Connection to mains power

LEDko Basic is equipped with a power connector IEC.

The max absorption of is reported in the following table:

- 230 V 0.6 A constant during normal exercise.
- 115 V 1.27 A constant during normal exercise.

Warning!!

The use of a thermal/magnetic circuit breaker is recommended. Strict adherence to regulatory norms is strongly recommended.

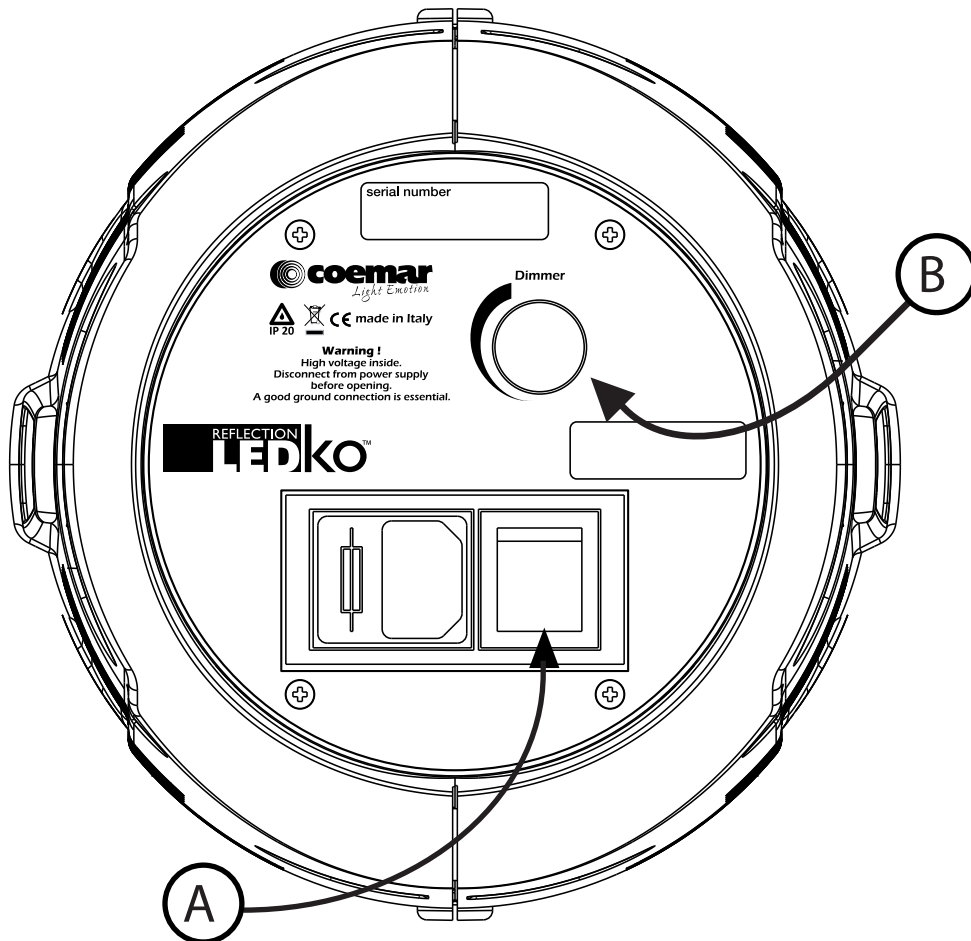
LEDko Basic should not be powered through a dimmer as this may damage the internal switching power supply.

Prior to connecting the device to mains power, ensure that the mains characteristics are within the recommended range for the use of **LEDko Basic**.

All cabling and connections should be carried out by a suitably qualified personnel.

6. Turning the projector on

After following the previous steps, connect the projector to the power supply and press the button "A". Once you connect the projector, use the potentiometer knob "B" to regulate the light output.



7. Accessories and spare parts

LEDko Basic is a very versatile fixture, optional accessories for its customization are available under request:

Accessory name	Code
Front barrel for lens tube with burnished blades	BC10011A200
Profile 5°, lens tube	BC10011A041
Profile 10°, lens tube	BC10011A042
Profile 14°, lens tube	BC10011A023
Profile 19°, lens tube	BC10011A012
Profile 26°, lens tube	BC10011A013
Profile 36°, lens tube	BC10011A015
Profile 50°, lens tube	BC10011A016
Profile 70°, lens tube	BC10011A024
Profile 90°, lens tube	BC10011A025
Profile Zoom 15°- 35°	BC10011A017
Profile Zoom 25°- 50°	BC10011A019
Profile Zoom 28°- 40°	BC10011A003
Soft Profile Fresnel Zoom 14°- 40°	BC10011A002
Soft Profile PC Zoom 11°- 38°	BC10011A001
4 leaf barndoor	AC04202
Gobo frame holder	BC10011A006
Iris	BC10011A010
Donut (190.5 mm)	BC10011A028
Half Top Hat (190.5 mm)	BC10011A027
Top Hat (190.5 mm)	BC10011A029
Color Frame Holder (190 mm)	BC10011A040
Donut (185 mm)	BC10011A036
Half Top Hat (185 mm)	BC10011A035
Top Hat (185 mm)	BC10011A037
Color Frame Holder (185 mm)	AC04204

Donut (159 mm)	BC10011A032
Half Top Hat (159 mm)	BC10011A031
Top Hat (159 mm)	BC10011A033
Colour Frame Holder (159 mm)	BC10011A021
(Gobo Slot) Glass template holder (93.6 mm)	BC10011A030
Hook clamp, 48-51 mm, max. load 20 Kg.	BC10011A047
Light clamp silver, 48-51 mm, max. load 75 Kg.	BC10011A045
Light clamp black, 48-51 mm, max. load 75 Kg.	BC10011A046
Clamp silver, flat 13-30 mm/ø 15-50 mm, max. load 20 Kg.	BC10011A043
Clamp black, flat 13-30 mm/ø 15-50 mm, max. load 20 Kg.	BC10011A044

All the components of **LEDko Basic** are available as spare parts from your **Coemar** dealer or Service. Accurate description of the fixture, model number and type will assist us in providing for your requirements in an efficient and effective manner.

8. Maintenance

8.1 Periodic cleaning

Lenses

Even a thin layer of dust can reduce the luminous output and alter the consistency of the beam. Regularly clean all filters and lenses using a soft cotton cloth, dampened with a special lens cleaning solution.

Cleaning of the unit

Use a soft brush or a common vacuum cleaner or a source of compressed air for removing dust. For the cleaning of the housing use a soft cloth and a non-aggressive cleaner. Check that the internal fans and heat exchanger must be perfectly clean.

8.2 Periodic controls

Mechanical components

Check the correct working of the mechanical parts and, if needed, replace them. Make sure the projector is not mechanically damaged. If necessary, replace the worn parts.

Electrical components

Check all electrical connections, in particular for correct grounding and correct attachment of all extractable connectors. Press the connectors if necessary and reposition as before.

8.3 Fuses

LEDko Basic has a 2 A mains fuse, that in most cases does not need to be replaced.

9. F.A.Q. and answers

The following list shows common issues that may be simply solved. If issues persist, the unit must be repaired by a qualified personnel or just contact your **Coemar** service near you.

Question	Possible solution
LEDko Basic does not emit light	Projector not powered on: <ul style="list-style-type: none">• Make sure the power cord is plugged in or test the input voltage.



Information on disposal of the equipment

The equipment at the end of its useful life must be disposed of at an appropriate recycling center for waste electrical and electronic equipment. The treatment and disposal of environmentally friendly, helps prevent potential negative environmental and health and promote the reuse and / or recycling of materials making up the equipment. Illegal disposal by the user includes the application of administrative sanctions provided by law.



Via Carpenedolo 90
46043 Castiglione delle Stiviere, Mantova, Italy
phone. +39 0376/1514412 - fax +39 0376/1514380
info@coemar.com

Coemar reserves the right to change specifications without prior notice