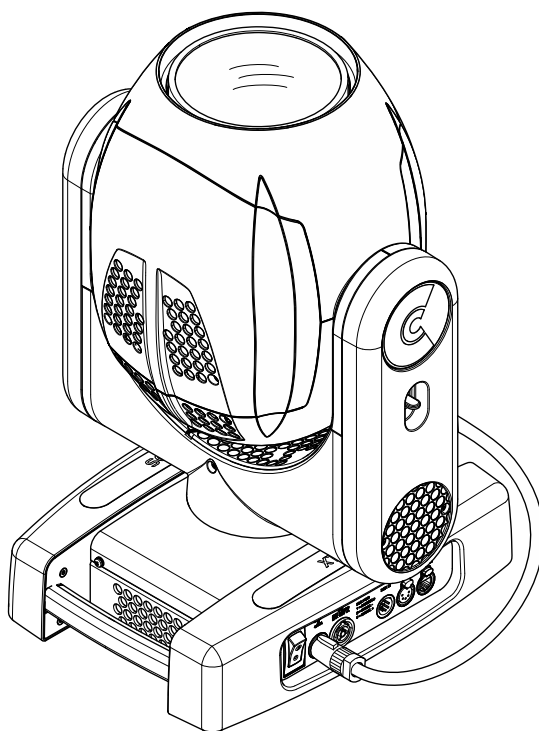


USER INFORMATION



INDEX

Page	Contents
2	1. Safety information
4	2. Unpacking and preparation
7	3. Installation and start-up
7	3.1 Installing the fixture
7	3.2 Connecting to mains supply
8	3.3 Connecting the control signal line: DMX / Art-Net
8	3.4 Switching on the fixture and basic SetUp
10	4. Data Sheet

Congratulations on choosing a Claypaky product!

We thank you for your custom.

Please note that this product, as all the others in the rich Claypaky range, has been designed and made with total quality to ensure excellent performance and best meet your expectations and requirements.

The Xtylos is a compact beam moving light with unique optical and chromatic characteristics, making use of a tailor-made laser source (Patent Application filed). This laser source, lasting for 10,000 hours, is enclosed in a reliable, safe and fully sealed module and it is the powerful engine of an incredible array of colors.

The beam aperture is less than 2° and it can be decreased further to 0.5°. The Xtylos uses laser technology with RGB additive color mixing. In contrast to the subtractive mixing used with discharge lamps, colored light beams are as bright as a white light beam! The range of effects features two gobo wheels - with 7 rotating gobos and 12 fixed gobos (including 7 beam diameter reducers) - a wheel with 3 prisms, and a sixteen facet prism on a dedicated channel which can be overlapped with the prism wheel.

The Xtylos is definitely the most dynamic light on the market. It is the first moving head light with a laser light source, and this opens up new, surprising prospects for the development of the entire entertainment lighting world.

1. SAFETY INFORMATION

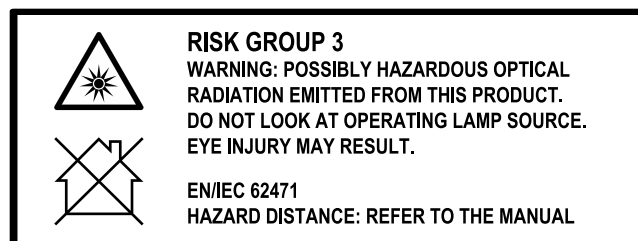
* see at page 12 for other languages

Please read this document carefully and keep it for future reference. CLAY PAKY S.p.A. disclaims any liability for damage to the appliance or property or injury to third parties resulting from installation, use or service that is not carried out in accordance with the instructions in this document and in the instruction manual. The instruction manual may be downloaded from the website www.claypaky.com and must be kept with the appliance. CLAY PAKY S.p.A. reserves the right to modify the instructions and specifications shown in its documentation at any time without notice.

• Installation

Make sure all parts for fixing the luminaire are in a good state of repair. Make sure the point of anchorage is stable before positioning the luminaire. The safety chain must be properly hooked onto the fitting and secured to the framework, so that, if the primary support system fails, the fitting falls as little as possible. If the safety chain gets used, it needs to be replaced with a genuine spare.

• Photobiological safety



This product includes a light source based on laser diodes. It complies with the requirements of clause 4.4 of the laser safety standard IEC 60825-1:2014 (3rd edition), hence:

- It is a "laser product designed to function as conventional luminaire" as defined in the clause 4.4 itself, so it is classified as CLASS 1 LASER PRODUCT according to IEC 60825-1:2014.
- Photobiological risk classification is performed according to the standard IEC 62471:2006, for conventional luminaires, using 2013 ICNIRP exposure limits, resulting in a Risk Group 3 (RG3).

Class 1 Laser product (IEC 60825-1:2014) - RG3 (IEC 62471:2006)

- Possibly hazardous optical radiation emitted from this product.
- Do not look at operating lamp source, closer than the Hazard Distance. Eye injury may result.
- Caution - Use of controls or adjustments or performance of procedures other than those specified herein may result in hazardous light exposure.
- The US Food and Drug Administration (FDA) requires this product to be purchased and operated in the US under the terms of a permit. This permit which is issued by the FDA at no cost is called a variance. See variance document for required procedures.
- All operators must be a legal employee of the variance holder and have completed a simple training course including safety and operation.
- Operators shall control access to the beam within the hazard distance or install the product at the height that will prevent spectators' eyes from being within the hazard distance.
- The luminaire is in excess of the Exempt Risk Group; the viewer-related risk is dependent upon how the user install and use the product.

Hazard distances (depending on settings):

HD = 82ft. 25.0 m.
HD = 70ft. 21.5 m.
HD = 60ft. 18.5 m.
HD = 50ft. 15.0 m.
HD = 26ft. 08.0 m.

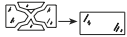
see operating procedure for more information

This Laser Product is designated as Class 1 / RG3 during all procedures of operation.

- Do not operate with personnel exposure shorter than the declared hazard distance due to risk of skin or corneal burns.
- The unit is never to be operated if defective or the covers or seals are damaged.
- No maintenance is required by the user.
- The user must not modify the unit or remove protective covers or housings except for service: potentially hazardous Class 3B Laser light is accessible if service procedures are not followed.
- Service is only to be performed by trained and authorized personnel. Refer to Service Manual for detailed safety information.

**Do not stare at the operating light source**

The luminaire should be positioned so that prolonged staring into the luminaire at a distance closer than 225 m is not expected.



Do not operate without complete light source enclosure in place or when lenses are damaged. Lenses and housing must be mounted and, if visibly damaged, they have to be replaced with genuine spares to avoid exposure to potentially hazardous internal laser light levels.

**Caution, risk of electric shock**

The light source contained in this luminaire shall only be replaced by the manufacturer or his service agent or a similar qualified person.

Connection to mains supply

Connection to the electricity mains must be carried out by a qualified electrical installer. Check that the mains frequency and voltage correspond to those for which the luminaire is designed as given on the electrical data label. This label also gives the input power to which you need to refer to evaluate the maximum number of fittings to connect to the electricity line, in order to avoid overloading.

IMPORTANT: if the luminaire is used in residential environment, in some case might be necessary to adopt appropriate measures to avoid EMI disturbances to broadcast receiver equipment.

**Protection against electrical shock**

Connection must be made to a power supply system fitted with efficient earthing (Class I appliance according to standard EN 60598-1). It is, moreover, recommended to protect the supply lines of the luminaires from indirect contact and/ or shorting to earth by using appropriately sized residual current devices.

Maximum ambient temperature

t_a 40°C

Do not operate the fixture if the ambient temperature (T_a) exceeds 40° C (104° F).

Temperature of the external surface

t_c 60°C

The maximum temperature that can be reached on the external surface of the fitting, in a thermally steady state, is 60°C (140°F).

IP20 protection rating

IP20

The fitting is protected against penetration by solid bodies of over 12mm (0.47") in diameter (first digit 2), but not against dripping water, rain, splashes or jets of water (second digit 0).

**Minimum distance of illuminated objects**

The luminaire needs to be positioned so that the objects hit by the light beam are at least 10 meters (32'10") from the lens of the luminaire. For personnel exposure distances, refer to Hazard Distances declared above.

Minimum distance from flammable materials

The luminaire must be positioned so that any flammable materials are at least 0.2 meters (8") from every point on the surface of the luminaire.

**Light collimation system**

This product contains internal light collimation system. Avoid intense light from any angle.

**This product is intended for the following areas of application:**

studios, stages, theatres, exhibitions, trade fairs, events, theme parks, entertainment venues, architectural lighting and similar.

**Not suitable for household illumination****Not for residential use****Battery**

This product contains a rechargeable battery. To preserve the environment, please dispose the battery at the end of its life according to the regulation in force.

**Disposing**

This product is supplied in compliance with European Directive 2012/19/EU - Waste Electrical and Electronic Equipment (WEEE). To preserve the environment please dispose/recycle this product at the end of its life according to the local regulation.

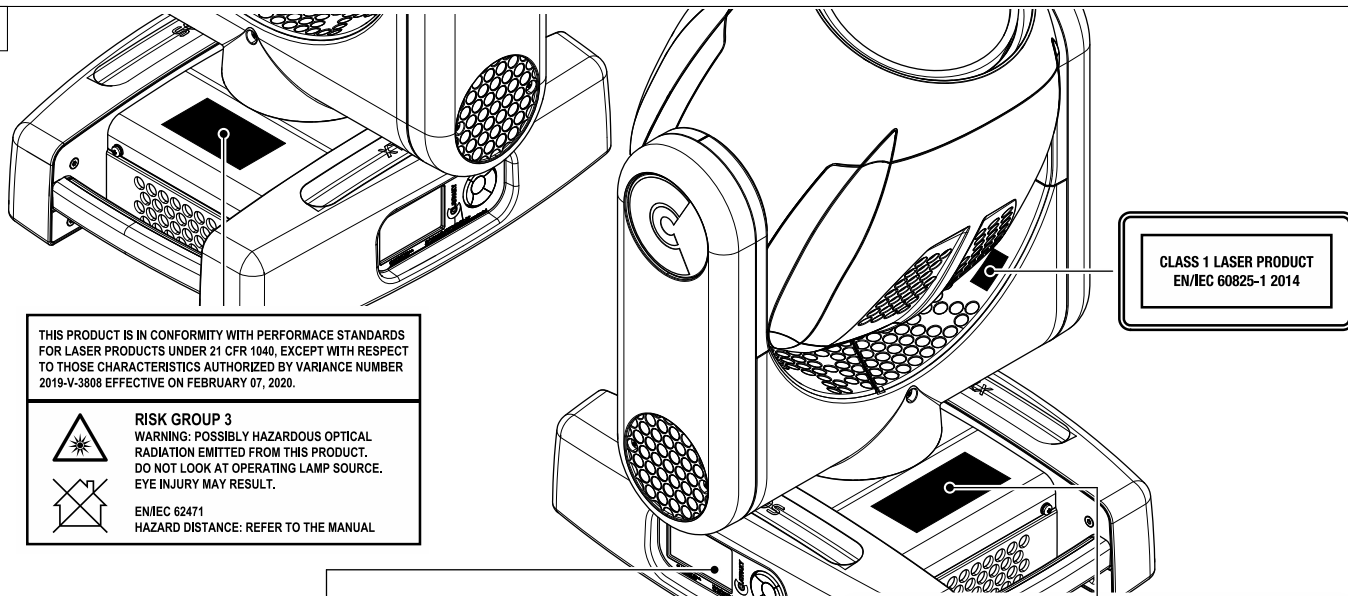


The products to which this manual refers comply with the European Directives pursuant to:

- 2014/35/EU - Safety of electrical equipment supplied at low voltage (LVD)
- 2014/30/EU - Electromagnetic Compatibility (EMC)
- 2011/65/EU - Restriction of the use of certain hazardous substances (RoHS)
- 2009/125/EC - EcoDesign requirements for Energy-related Products (ErP)

2. UNPACKING AND PREPARATION

1



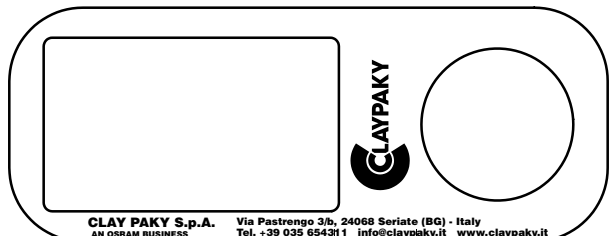
THIS PRODUCT IS IN CONFORMITY WITH PERFORMANCE STANDARDS FOR LASER PRODUCTS UNDER 21 CFR 1040, EXCEPT WITH RESPECT TO THOSE CHARACTERISTICS AUTHORIZED BY VARIANCE NUMBER 2019-V-3808 EFFECTIVE ON FEBRUARY 07, 2020.



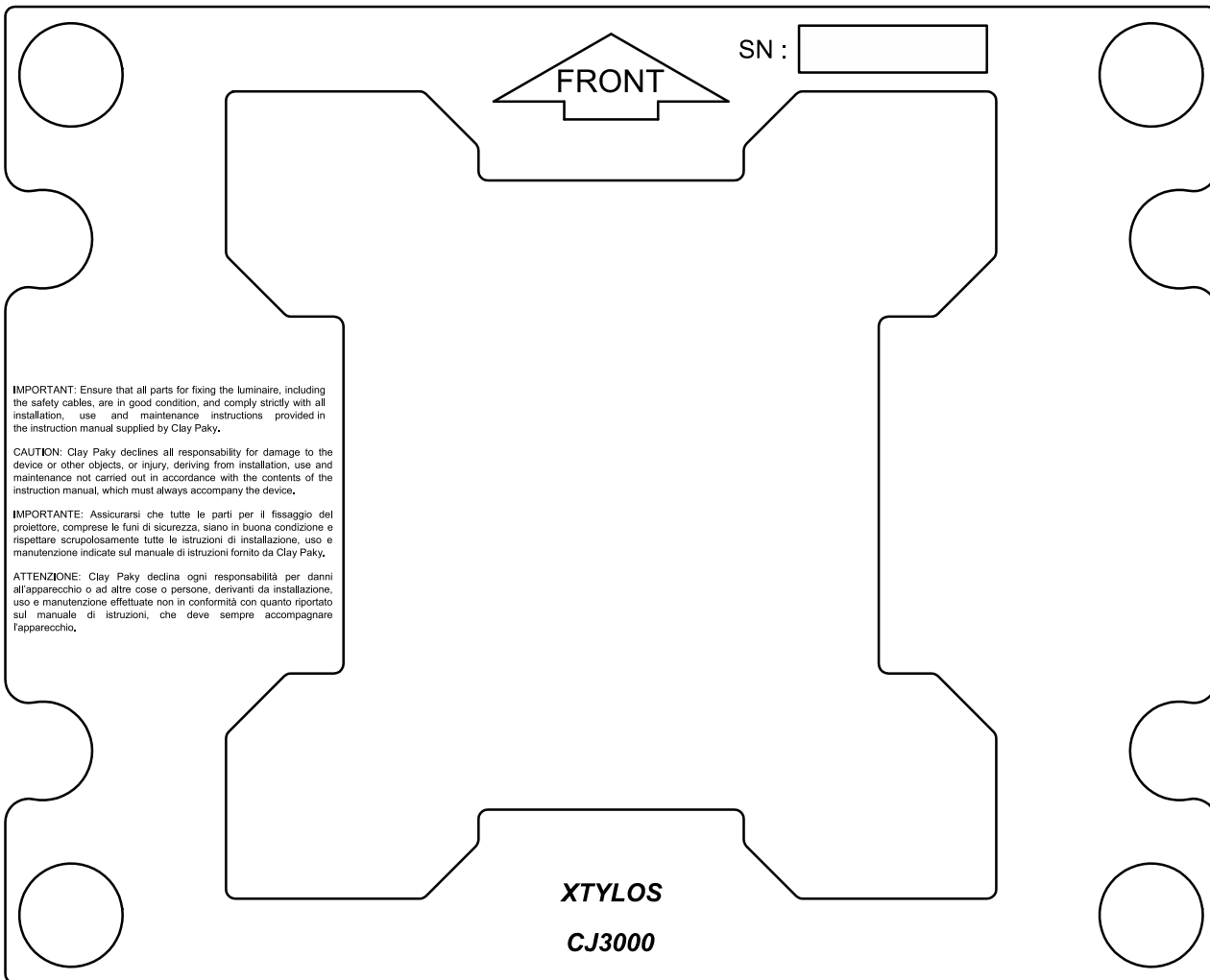
RISK GROUP 3
WARNING: POSSIBLY HAZARDOUS OPTICAL RADIATION EMITTED FROM THIS PRODUCT. DO NOT LOOK AT OPERATING LAMP SOURCE. EYE INJURY MAY RESULT.



ENIEC 62471
HAZARD DISTANCE: REFER TO THE MANUAL



WARNING: MINIMUM DISTANCE OF INFLAMMABLE MATERIALS FROM THE SURFACE 0.20 m.
DO NOT OPERATE WITHOUT COMPLETE LIGHT SOURCE ENCLOSURE IN PLACE OR WHEN LENSES ARE DAMAGED. SERVICE SHOULD BE PERFORMED ONLY BY QUALIFIED PERSONNEL AS DETERMINED BY THE LUMINAIRE MANUFACTURER.
NOT FOR RESIDENTIAL USE.
ATTENTION: LAISSER UNE DISTANCE D'AU MOINS 0,20 m ENTRE LA SOURCE LUMINEUSE ET TOUTE SURFACE COMBUSTIBLE.
NE PAS UTILISER SANS AVOIR INSTALLÉ UNE COUVERTURE COMPLÈTE DE LA LAMPE OU SI LES LENTILLES SONT ENDOMMAGÉES.
LES OPÉRATIONS D'ASSISTANCE ET D'ENTRETIEN DEVRONT ÊTRE EFFECTUÉES EXCLUSIVEMENT PAR DU PERSONNEL QUALIFIÉ CONFORMÉMENT AUX CONSIGNES DU FABRICANT DU LUMINAIRE.
NON INDIQUÉ POUR UN UTILISATION DOMESTIQUE.



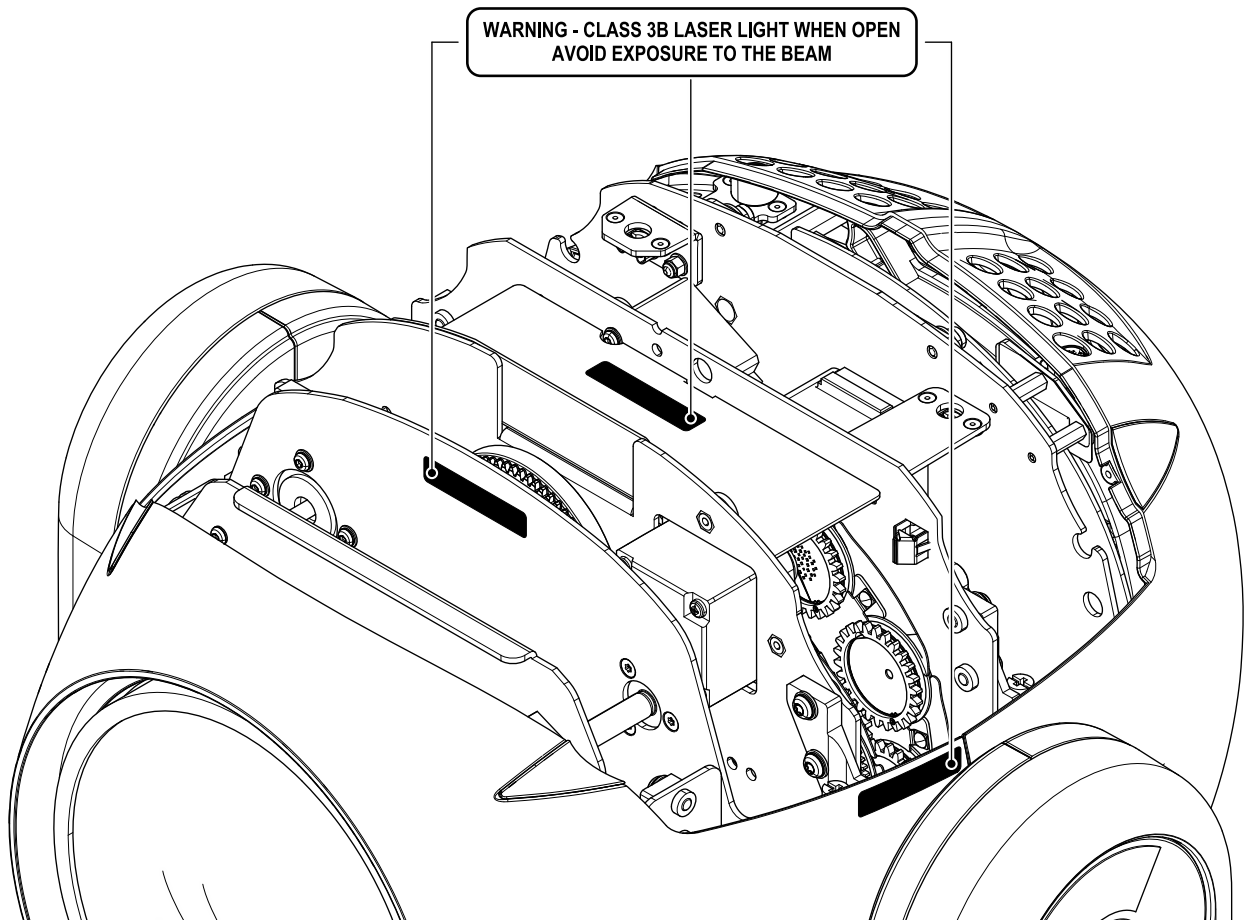
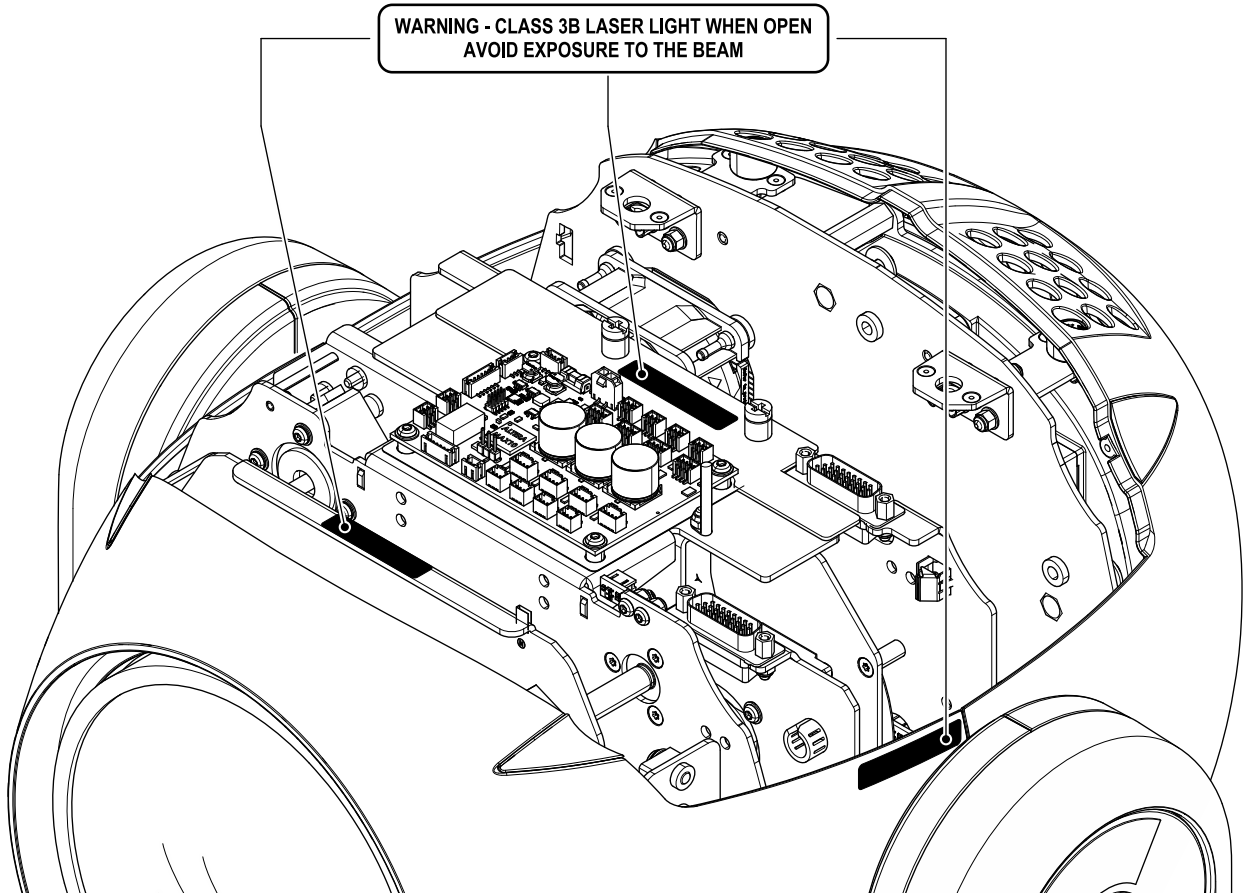
IMPORTANT: Ensure that all parts for fixing the luminaire, including the safety cables, are in good condition, and comply strictly with all installation, use and maintenance instructions provided in the instruction manual supplied by Clay Paky.

CAUTION: Clay Paky declines all responsibility for damage to the device or other objects, or injury, deriving from installation, use and maintenance not carried out in accordance with the contents of the instruction manual, which must always accompany the device.

IMPORTANTE: Assicurarsi che tutte le parti per il fissaggio del proiettore, comprese le funi di sicurezza, siano in buona condizione e rispettare scrupolosamente tutte le istruzioni di installazione, uso e manutenzione indicate sul manuale di istruzioni fornito da Clay Paky.

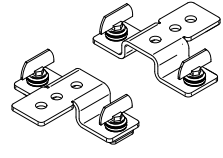
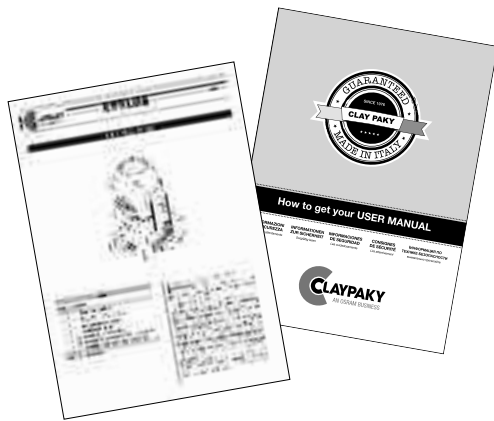
ATTENZIONE: Clay Paky declina ogni responsabilità per danni all'apparecchio o ad altre cose o persone, derivanti da installazione, uso e manutenzione effettuate non in conformità con quanto riportato sul manuale di istruzioni, che deve sempre accompagnare l'apparecchio.

Labeling information - Fig. 1

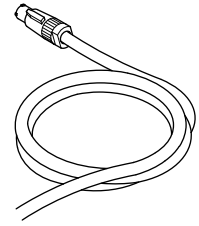


Labeling information - Fig. 2

3

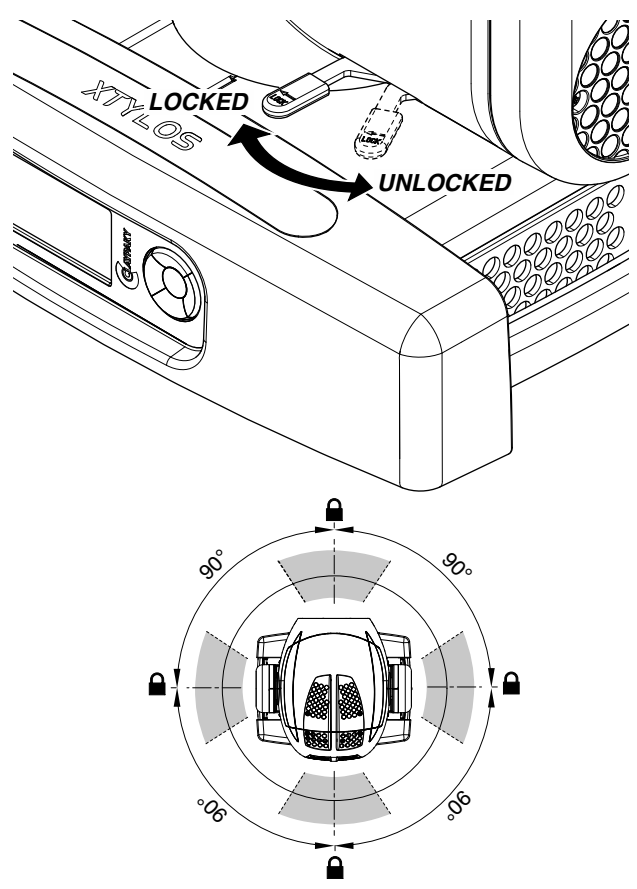


2 x 183102/805



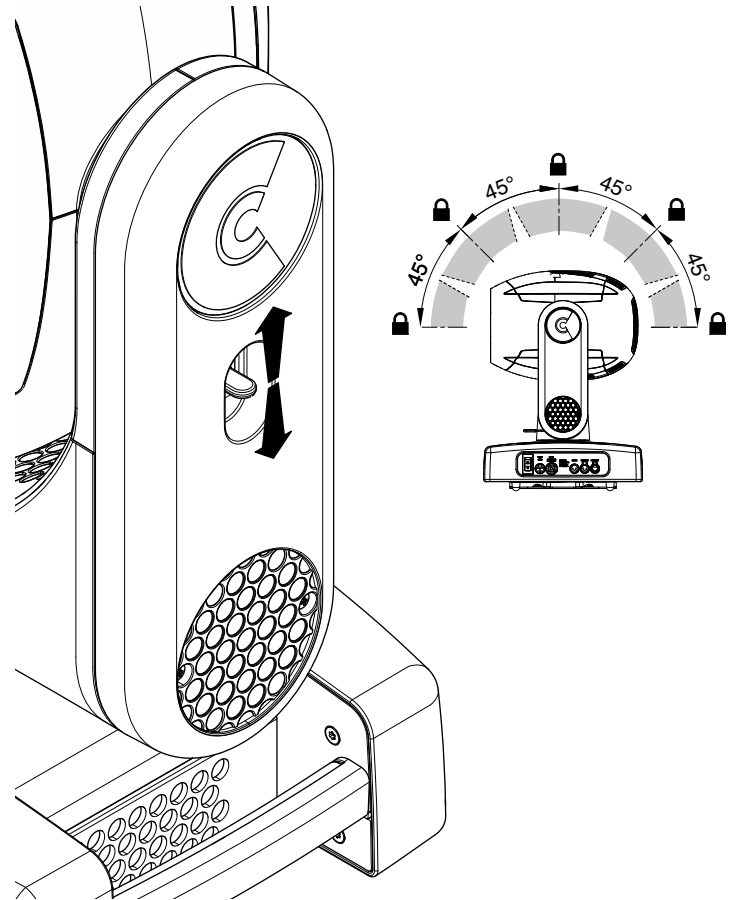
Packing contents - Fig. 3

4



PAN Mechanism Lock and Release (every 90°) - Fig. 4

5

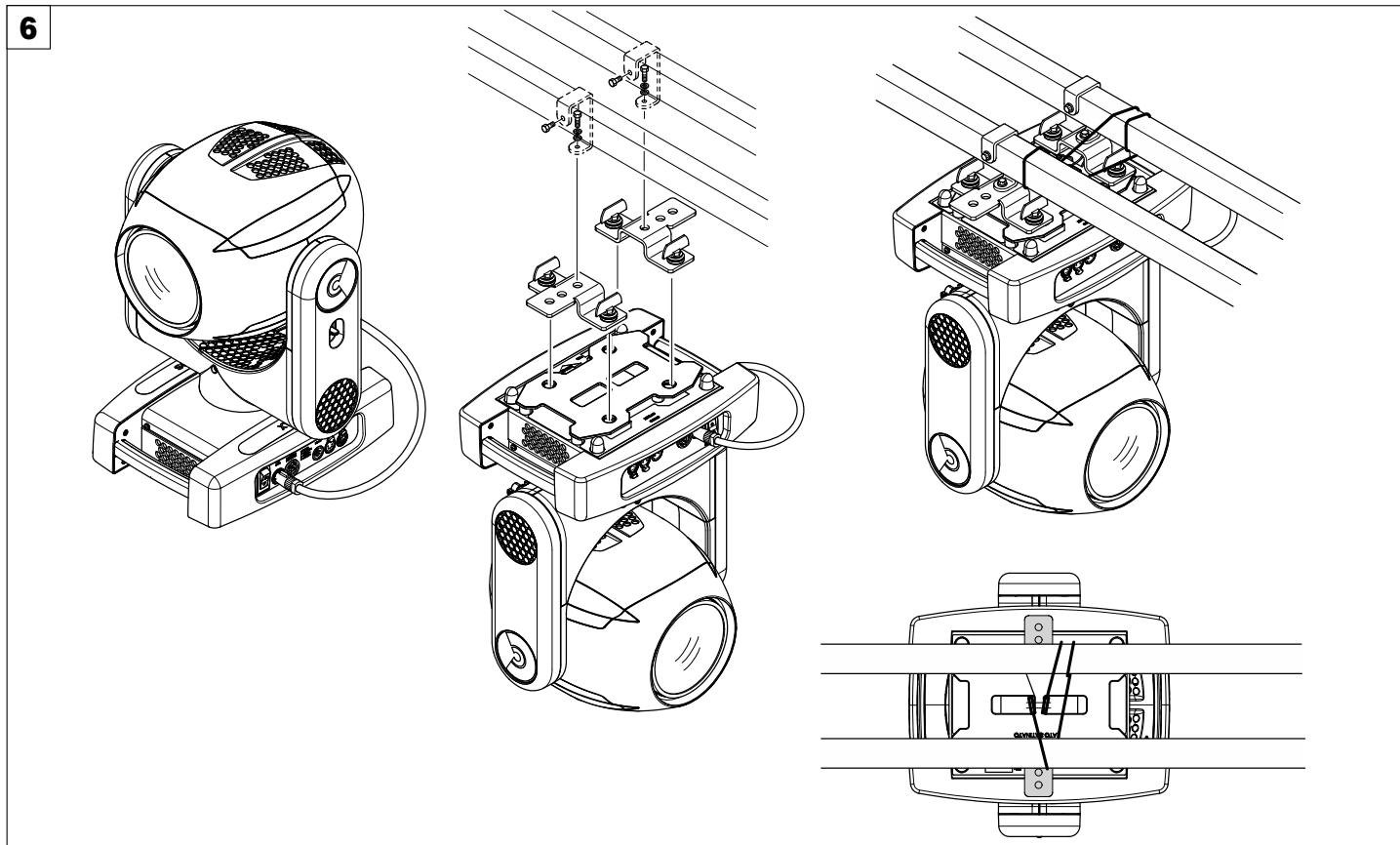


TILT Mechanism Lock and Release (every 45°) - Fig. 5

3. INSTALLATION AND START-UP

3.1 Installing the fixture

WARNING: Operators shall control access to the beam within the hazard distance or install the product at the height that will prevent spectators' eyes from being within the hazard distance.



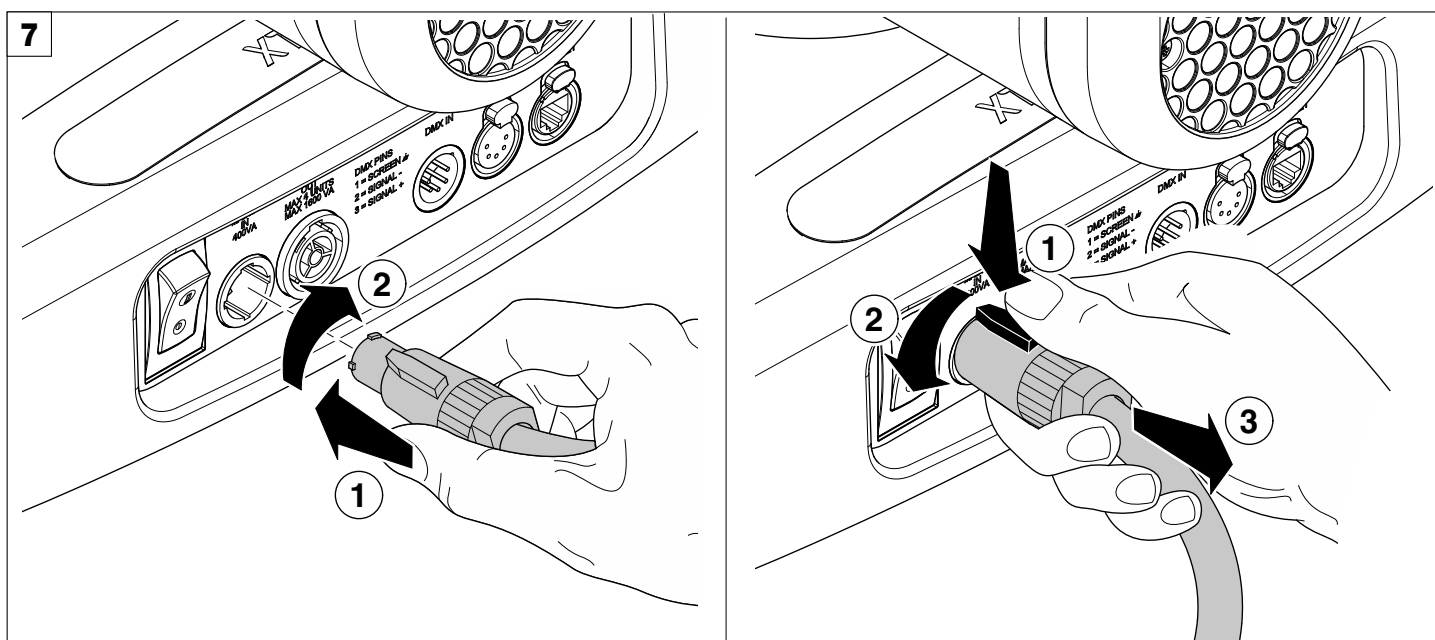
Installing the luminaire - Fig. 6

The luminaire can be installed on the floor resting on special rubber feet, on a truss or on the ceiling or wall.

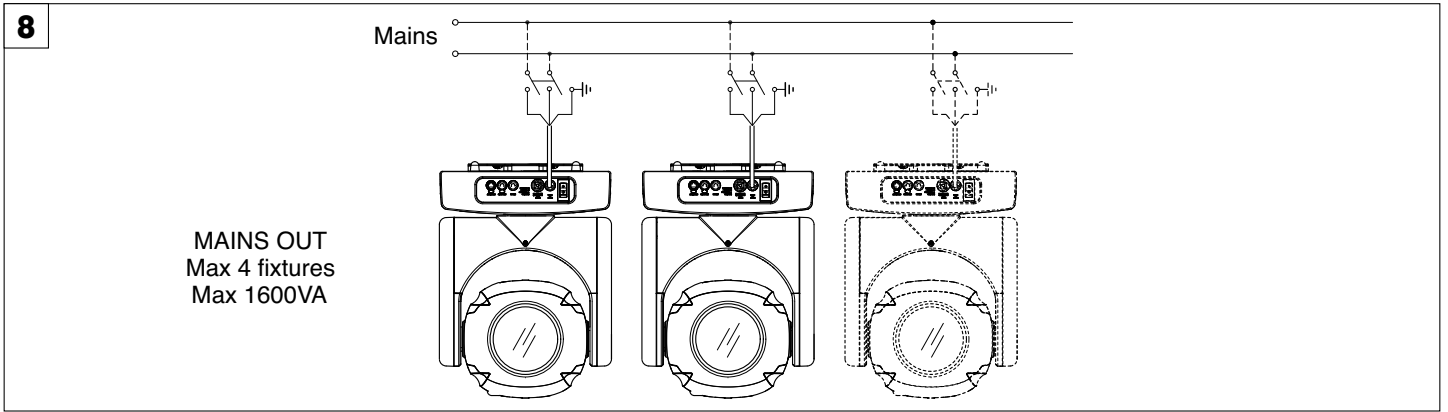
WARNING: the luminaire must always be securely mounted and immobilized, also when installed on the floor, in a way that accidental redirection of the fixture is not occurring.

WARNING: with the exception of when the luminaire is positioned on the floor, the safety cable must be fitted. (Cod. 105041/001 available on request). This must be securely fixed to the support structure of the luminaire and then connected to the fixing point at the centre of the base.

3.2 Connecting to mains supply

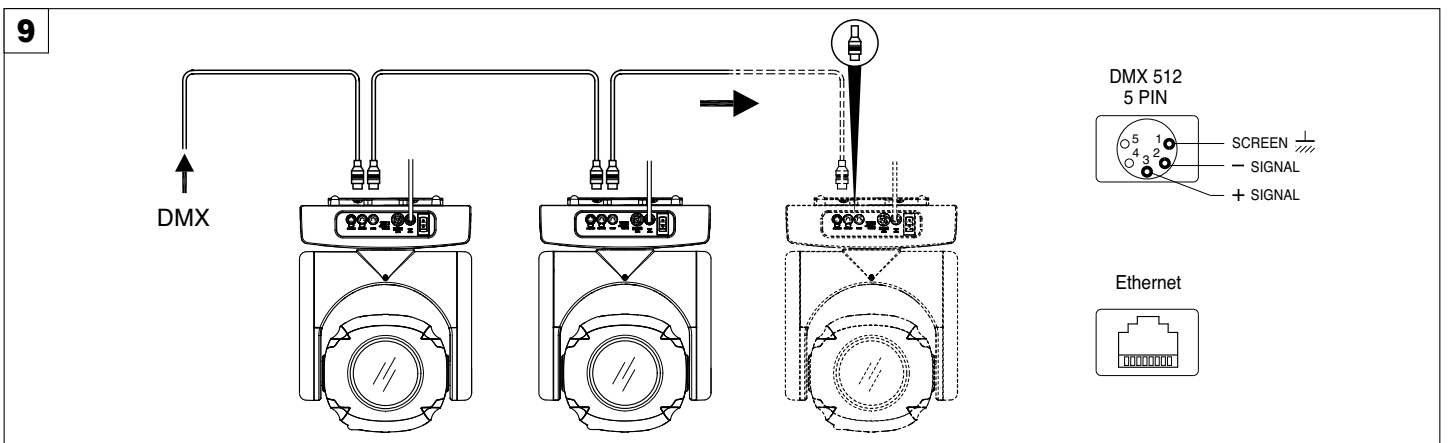


Connecting and disconnecting power cable - Fig. 7



Connecting to the mains supply - Fig. 8

3.3 Connecting the control signal line: DMX / Art-Net

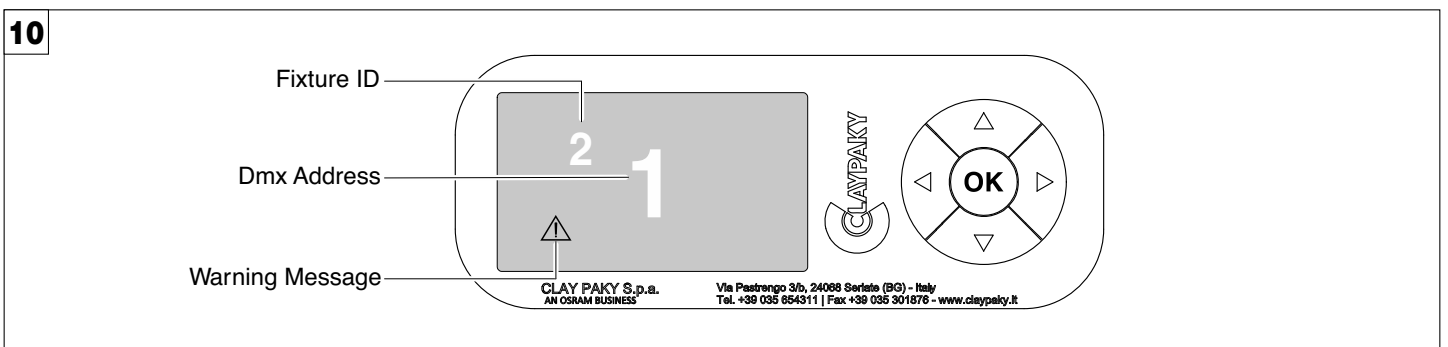


Connecting to the control signal line (DMX) - Fig. 9

Use a cable conforming to specifications EIA RS-485: 2-pole twisted, shielded, 120Ohm characteristic impedance, 22-24 AWG, low capacity. Do not use microphone cable or other cable with characteristics differing from those specified. The end connections must be made using XLR type 5 pin male/female connectors. A terminating plug must be inserted into the last luminaire with a resistance of 120Ohm (minimum 1/4 W) between terminals 2 and 3.

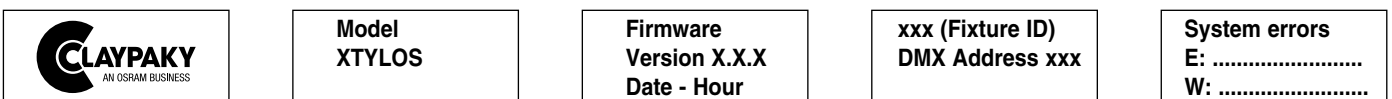
IMPORTANT: The wires must not make contact with each other or with the metal casing of the connectors. The casing itself must be connected to the shield braid and to pin 1 of the connectors.

3.4 Switching on the fixture and basic SetUp



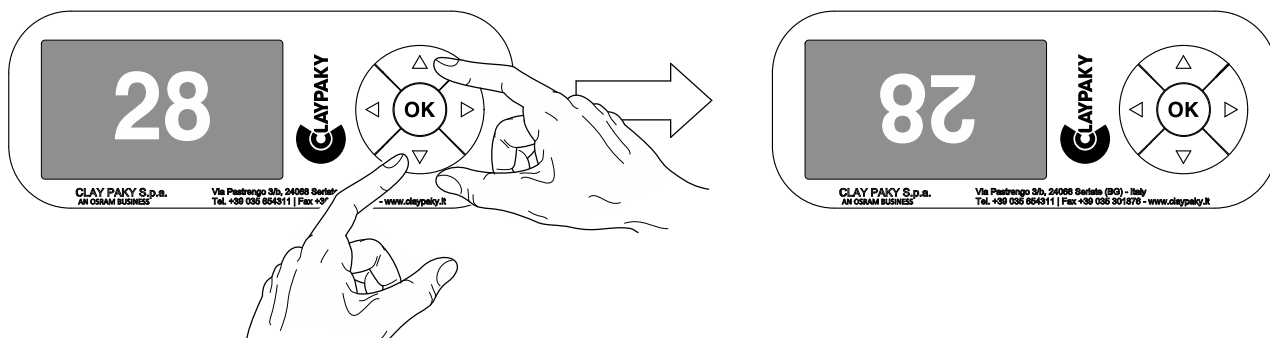
Switching on the luminaire - Fig. 10

Ensure that the fixture is not remotely controlled, by disconnecting DMX cable during this operation, to prevent unwanted light emission. Press the switch. The luminaire starts resetting the effects. At the same time, the following information scrolls on the display:





On conclusion of resetting in case of absence of the DMX signal, Pan and Tilt move to the "Home" position (Pan 128 bit - Tilt 128 bit). The control panel (Fig. 8) has a display and buttons for the complete programming and management of the luminaire menu. The display can be in one of two conditions: rest status and setting status. When it is in the rest status, the display shows the luminaire's DMX address and the Fixture ID address (if set).

During menu setting status, after a wait time (about 30 seconds) without any key having been pressed, the display automatically returns to rest status. It should be noted that when this condition occurs, any possible value that has been modified but not yet confirmed with the key will be cancelled.



Reversal of the display - Fig. 11

To activate this function, press UP  and DOWN  keys simultaneously while the display is in the rest mode. This status will be memorized and maintained even for the next time it will be switched on. To return to the initial state, repeat the operation all over again.

Setting the luminaire starting address.

On each luminaire, the starting address must be set for the control signal (addresses from 1 to 512).

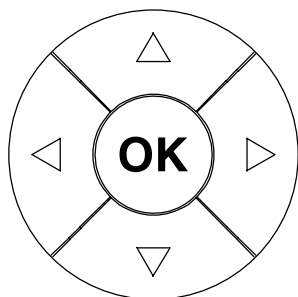
The address can also be set with the luminaire switched off.

Setting the luminaire Fixture ID.

On each luminaire, the Fixture ID address must be set for an easy identification of the fixtures in an installation (ID from 1 to 255).

The Fixture ID address can be set with the luminaire switched off.

Functions of the buttons - Using the menu



Confirms the displayed value, or activates the displayed function, or enters the successive menu.



DOWN

Decreases the value displayed (with auto-repetitions) or passes to the next item in the menu.



UP

Increases the value displayed (with auto-repetitions) or passes to the previous item in a menu.



LEFT


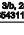




Return to the top level




RIGHT

Commute from units, tens, hundreds, in the "Address", "Fixture ID" and "Calibration" menu.

USING THE MENU:

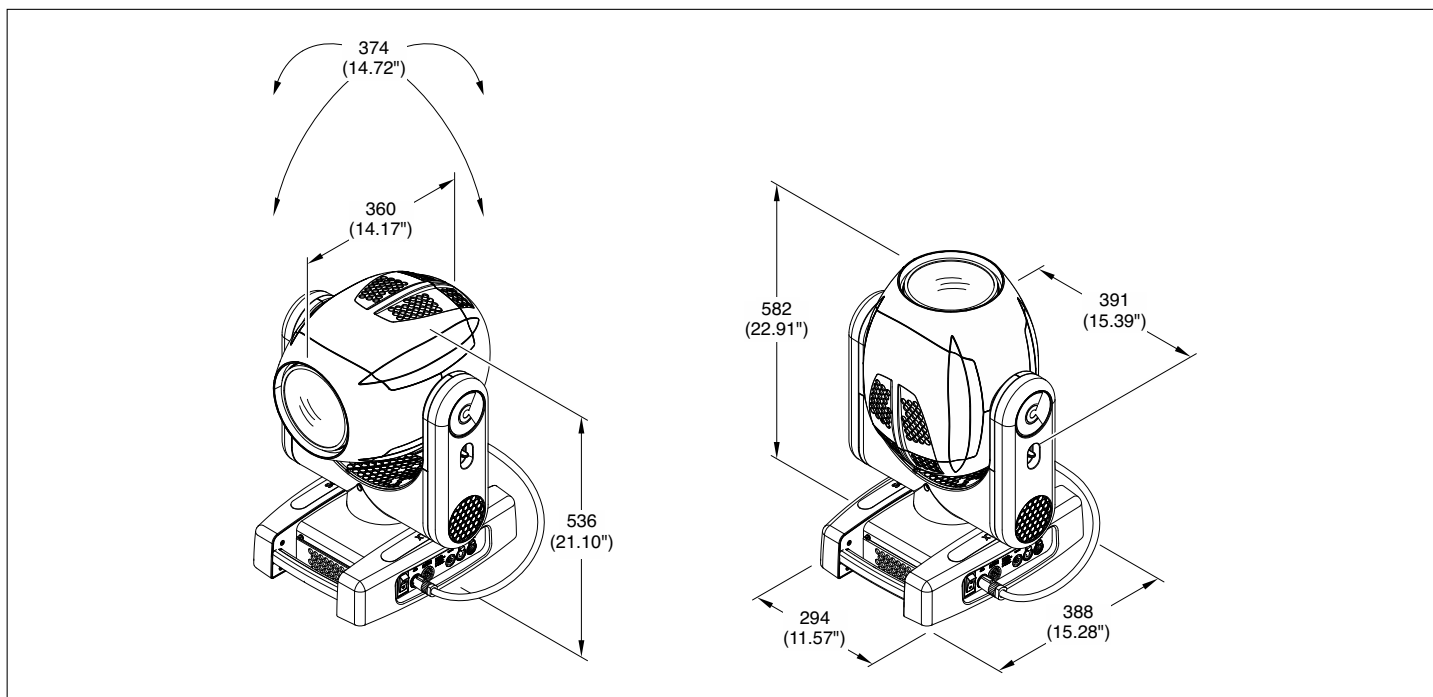
- 1) Press  once – "Main Menu" appears on the display.
- 2) Use the UP  and DOWN  keys to select the menu to be used:
 - Setup (Setup Menu): To set the setting options.
 - Option (Option Menu): To set the operating options
 - Information (Information Menu): To read the counters, software version and other information.
 - Manual Control (Manual control Menu): To trigger the test and manual control functions.
 - Test (Test Menu): To check the proper functioning of effects
 - Advanced (Advanced Menu): Access to the "Advanced menu" is recommended for a trained technical personnel.
- 3) Press  to display the first item in the selected menu.
- 4) Use the UP  and DOWN  keys to select the MENU items.

Setting addresses and options with the luminaire disconnected.

The luminaire's DMX address, as well as other possible operating options, can also be set when the appliance is disconnected from the electricity supply. All that is needed is to press  to momentarily activate the display and thus access the settings. Once the required operations have been carried out, the display will switch off again after a wait time of 30 seconds.

- see "DMX Channels" and "User Menu" chart to set the correct fixture configuration.

4. DATA SHEET



POWER SUPPLIES

AC power input 100-240V, 50/60 Hz.
In/Out (Max 4 fixtures – 1600VA).

INPUT POWER

400 VA @230Vac - 50Hz.

LIGHT SOURCE

- Tailor-made laser engine, enclosed in a sealed module contained in the fixture.
- Long lasting light source (10,000 hours) with minimal decay.
- Solid, flat field, saturated, ultra-concentrated light beam without any visible hotspots.

OPTICS

Aperture: 1°-7° range (up to 0.5° using beam diameter reducers).

CHANNELS

31 control channels.

EFFECTS SECTION

- RGB Laser based system.
- Very precise 0-100% digital dimmer, dimmer Resolution: 24 bit.
- Fast digital stop/strobe effect.
- N°1 Fix Gobos disk.
- N°1 Rotating Gobos disk.
- N°1 Rotating Prisms disk: Convex plane, Pyramid 6 facets, Linear 6 facets, Frost.
- N°1 Rotating Prism with 16 facets.
- Effects Macro (currently not implemented).
- 1° Aperture - Beam mode.
- Pan and Tilt Resolution: 16 bit.
- Focus Indexing Resolution: 16 bit.
- Rotation gobo Resolution: 16 bit - Rotating gobo indexing.
- Rotating 3prisms Resolution: 8 bit - Rotating 3prisms indexing.
- RGB colour calibration - RGB derating to preserve laser diodes.
- Real-time colour control algorithm when not in raw mode (CTO channel > 0).
- Laser driver safety control logic at firmware level to switch-off light output in a safe state, when parameters outside of working range (redundant with hardware level safety).
- Linear Virtual CTO.

- Pan/Tilt Resolution 16 bit.
- Focus Resolution 16 bit.

ELECTRONICS

- Control signal USITT DMX 512.
- Long life self-charging battery.
- Display Graphic LCD backlit b/w Display.
- Function reset via on-board menu.
- Function reset from the lighting desk.
- "AUTOTEST" function from menu.
- Electronic monitoring with status error reporting and logging.
- Cooling system monitoring.
- DMX level monitoring on all channels.
- Internal data transmission diagnostics.
- Upgrade with no power (CPU only) firmware.
- Firmware upload from another fixture (CPU only).
- Firmware Upgrade via Web Server.
- Protocols/Functions: RDM, Web Server, ArtNet.
- Extremely reliable communication RS485 bus.

INPUTS

- DMX 512, 5 pin In & Out connector.
- Ethernet.
- Neutrik PowerCon True1 (IN & OUT).

IP RATING

IP 20 - Protected against the entry of solid bodies larger than 12mm (0.47"); No protection against the entry of liquids.

MOTORS

11 Stepper motors, microprocessor controlled.

MOVING BODY

- PAN range 540°.
- TILT range 251°.
- Fast speed (Pan 2.46 sec – Tilt 1.68 sec)

Accuracy:

Resolution $\pm 0,28^\circ$ (Range 0,56°)

BODY

- Aluminum and steel structure with plastic covers.
- Two side handles for transportation.
- Device locking PAN and TILT mechanisms for transportation and maintenance.

WORKING POSITION

- Working in any position.
- Hanging system: with fast-lock omega clamps (1/4 turn) on the base.
- Optional safety chain.

SAFETY SPECIFICATIONS

- Minimum distance of illuminated objects 10 meters (32' 10").
- Minimum distance from flammable materials 0.2 meters (8").
- Max ambient temperature 40°C (104°F).
- Max temperature of the external surface 60°C (140°F).
- Safety devices Bipolar circuit breaker with thermal protection
- Automatic break in power supply in case of overheating
- Forced ventilation with axial fans

NOISE LEVEL

51.5 dBA (background 34.0)

CE MARKING

- In conformity with the European Directives:
- 2014/35/EU - Safety of electrical equipment supplied at low voltage (LVD).
 - 2014/30/EU - Electromagnetic Compatibility (EMC).
 - 2011/65/EU - Restriction of the use of certain hazardous substances (RoHS).
 - 2009/125/EC - EcoDesign requirements for Energy-related Products (ErP).

ETL

This product is available, on demand, with cETLus Listed Mark.

PACKAGING

- Carton box + Polystyrene
- Carton box + Foam shell
- Flight case + Foam shell (2 position)

WEIGHT

24 Kg (52.13 lbs).

Leggere con attenzione e conservare per consultazioni future. CLAY PAKY S.p.A. declina ogni responsabilità per danni al proiettore o a cose, oppure per lesioni a terzi, causati da un'installazione, un utilizzo o una manutenzione non eseguiti in conformità con le istruzioni presenti in questo documento e nel manuale di istruzioni. È possibile scaricare il manuale di istruzioni dal sito www.claypaky.com e deve essere sempre tenuto insieme al proiettore. CLAY PAKY S.p.A. si riserva il diritto di modificare le istruzioni e le specifiche presentate nella sua documentazione in qualsiasi momento e senza preavviso.

• Installazione

Assicurarsi che tutte le parti per il fissaggio del proiettore siano in buono stato di manutenzione. Prima di posizionare il proiettore assicurarsi che il punto di ancoraggio sia stabile. La catena di sicurezza deve essere ben agganciata al proiettore e assicurata alla struttura in modo tale da ridurre al massimo l'eventuale caduta del proiettore, qualora il sistema di supporto primario dovesse cedere. In caso di usura della catena di sicurezza, sarà necessario sostituirla con un ricambio originale.

• Sicurezza fotobiologica



PRODOTTO LASER DI CLASSE 1
IEC 60825-1 2014



GRUPPO DI RISCHIO 3

ATTENZIONE: RADIAZIONE OTTICA POTENZIALMENTE PERICOLOSA EMESSA DAL PRODOTTO. NON FISSARE LA SORGENTE LUMINOSA IN FUNZIONE. POTREBBE PROVOCARE LESIONI OCULARI.



IEC 62471

DISTANZA DI SICUREZZA: FAR RIFERIMENTO AL MANUALE

Il presente prodotto include una sorgente luminosa a diodi laser. È conforme ai requisiti della clausola 4.4 della norma relativa alla Sicurezza dei dispositivi laser IEC 60825-1:2014 (3a edizione), quindi:

- Si tratta di un "prodotto laser progettato per funzionare come apparecchio d'illuminazione convenzionale" come definito nella clausola 4.4, pertanto è classificato come **PRODOTTO LASER di CLASSE 1** nel rispetto della norma IEC 60825-1:2014.
- La classificazione del rischio fotobiologico viene eseguita secondo la norma IEC 62471:2006 per gli apparecchi convenzionali, utilizzando i limiti di esposizione ICNIRP del 2013, risultando in un Gruppo di Rischio 3 (RG3).

Prodotto laser di classe 1 (IEC 60825-1:2014) - RG3 (IEC 62471:2006)

- Radiazione ottica potenzialmente pericolosa emessa dal prodotto.
- Non fissare la sorgente luminosa in funzione a una distanza inferiore rispetto alla distanza di sicurezza. Potrebbe provocare lesioni oculari.
- Attenzione - L'utilizzo di controlli o adattatori, o l'esecuzione di procedure diverse da quelle specificate nel presente documento possono comportare un'esposizione alla luce pericolosa.
- La Food and Drug Administration (FDA) statunitense richiede che questo prodotto venga acquistato e utilizzato negli Stati Uniti secondo i termini di un permesso. Tale permesso, erogato gratuitamente dalla FDA, viene detto variance. Controllare il documento di variance per le procedure richieste.
- Tutti gli operatori devono essere regolarmente impiegati dall'intendentario del variance, e aver completato un corso di formazione base che comprenda nozioni di sicurezza e funzionamento.
- Gli operatori sono tenuti a controllare l'accesso al fascio nel rispetto dei limiti della distanza di sicurezza oppure a installare il prodotto ad un'altezza che non costituisca un pericolo per gli occhi degli spettatori.
- Il proiettore non rientra nel Gruppo Rischio Esente; il rischio relativo all'osservatore dipende dalla modalità in cui l'utente installa e utilizza il prodotto.

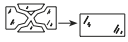
Distanza di sicurezza (in base alle impostazioni):

DS = 82ft. 25,0 m.
DS = 70ft. 21,5 m.
DS = 60ft. 18,5 m.
DS = 50ft. 15,0 m.
DS = 26ft. 08,0 m.

Per ulteriori informazioni consultare le procedure di funzionamento

Questo prodotto laser è designato come Classe 1 / RG3 durante tutte le procedure di funzionamento.

- Non lavorare a un'esposizione inferiore alla distanza di sicurezza dichiarata, pericolo di ustione alla pelle e alla cornea.
- Non utilizzare mai il prodotto se difettoso o in caso di danneggiamento alle coperture o alle guarnizioni.
- Non richiede alcuna manutenzione da parte dell'utente.
- L'utente non deve apportare modifiche al prodotto o rimuovere coperture o involucri di protezione se non per servizi di manutenzione: se non si rispettano le procedure di manutenzione, si potrebbe entrare in contatto con luci laser potenzialmente pericolose di classe 3B.
- Le operazioni di manutenzione possono essere eseguite solamente da personale formato e autorizzato. Per ulteriori e dettagliate informazioni di sicurezza, far riferimento al manuale di servizio.



t_a 40°C

t_c 60°C

IP20

10 m



Non fissare la sorgente luminosa in funzione

Il proiettore deve essere posizionato in modo che non sia previsto guardarvi a lungo a una distanza inferiore a 225 m.

Non utilizzare il prodotto con sorgente luminosa sprovvista di involucro completo o quando le lenti sono danneggiate. Lenti e alloggiamento devono essere montati e, se visibilmente danneggiati, devono essere sostituiti con parti di ricambio originali, onde evitare esposizioni a livelli di luce laser interna potenzialmente pericolosi.

Attenzione, rischio di scarica elettrica

La sorgente luminosa all'interno del proiettore deve essere sostituita esclusivamente dall'addetto alla manutenzione, da un suo agente o da personale similmente qualificato.

Allacciamento alla rete elettrica

L'allacciamento alla rete elettrica deve essere eseguito da un installatore elettrico qualificato. Verificare che la frequenza e la tensione di rete corrispondano a quelle per cui l'apparecchio è stato progettato, come indicato sull'etichetta dei dati elettrici. Questa etichetta fornisce anche la potenza di ingresso a cui fare riferimento per valutare il numero massimo di raccordi da collegare alla linea elettrica, al fine di evitare sovraccarichi.

IMPORTANTE: Se il proiettore è utilizzato in ambienti residenziali, in alcuni casi potrebbe essere necessario adattare misure adeguate al fine di evitare interferenze elettromagnetiche durante ad apparecchi radioriceventi.

Protezione contro la scarica elettrica

L'allacciamento deve avvenire tramite un sistema di alimentazione dotato di messa a terra efficiente (apparecchio di Classe I secondo la norma EN 60598-1). Inoltre, si raccomanda di proteggere la linea di alimentazione del proiettore dal contatto indiretto e/o corto circuito verso terra utilizzando dispositivi di corrente residua adeguati.

Massima temperatura ambiente

Non usare il proiettore se la temperatura ambiente (T_a) supera i 40° C (104° F).

Temperatura della superficie esterna

La massima temperatura raggiungibile sulla superficie esterna del proiettore, in condizioni termiche stabili, è di 60° C (140°F).

Grado di protezione IP20

Il proiettore è protetto dalle infiltrazioni di corpi solidi superiori ai 12mm (0,47") di diametro (prima cifra 2), ma non da quelle di gocce d'acqua, pioggia, schizzi o getti d'acqua (seconda cifra 0).

Distanza minima dagli oggetti illuminati

Il proiettore deve essere posizionato in modo tale che gli oggetti colpiti dal fascio luminoso siano distanti almeno 10 metri (32'10") dalla lente del proiettore stesso. Per le distanze di esposizione del personale, far riferimento alla distanza di sicurezza sopra dichiarata.

Distanza minima da materiali infiammabili

Il proiettore deve essere posizionato in modo tale che eventuali materiali infiammabili si trovino ad almeno 0,2 metri (8") da qualsiasi punto della superficie del proiettore.

Sistema di collimazione della luce

Il prodotto possiede un sistema di collimazione della luce interno. Evitare la luce intensa da qualsiasi angolazione.

Il prodotto è concepito per essere utilizzato nei seguenti ambiti:

studi, palchi, teatri, esposizioni, fiere, eventi, parchi a tema, locali di intrattenimento, illuminazione architettonica e simili.

Non adatto all'illuminazione domestica

Non per uso residenziale

Batteria

Il prodotto contiene una batteria ricaricabile. Nel rispetto dell'ambiente, al termine del suo ciclo di vita, smaltire la batteria secondo le disposizioni di legge in vigore.

Smaltimento

Questo dispositivo è conforme alla Direttiva Europea 2012/19/UE - Rifiuti di apparecchiature elettriche ed elettroniche (RAEE). Nel rispetto dell'ambiente, smaltire/riciclare il prodotto al termine del suo ciclo di vita secondo le disposizioni di legge locali.

Il prodotto a cui si riferisce il presente manuale è conforme alle direttive europee, in base alle seguenti:

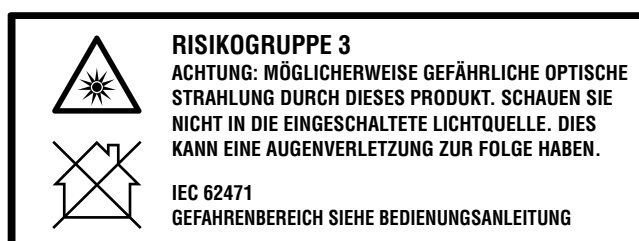
- 2014/35/EU - Sicurezza del materiale elettrico alimentato a bassa tensione (LVD)
- 2014/30/EU - Compatibilità Elettromagnetica (EMC)
- 2011/65/EU - Restrizione d'uso di determinate sostanze pericolose (RoHS)
- 2009/125/EC - Specifiche per la progettazione eco-compatibile dei prodotti connessi all'energia (ErP)

Bitte lesen Sie dieses Dokument sorgfältig durch und bewahren Sie es zum späteren Nachschlagen auf. CLAY PAKY S.p.A. lehnt jegliche Haftung für Schäden am Gerät oder Eigentum oder für Verletzungen Dritter ab, die durch Installation, Verwendung oder Service entstehen und nicht gemäß den Anweisungen in diesem Dokument und in der Bedienungsanleitung ausgeführt werden. Die Bedienungsanleitung kann auf der Website www.claypaky.com heruntergeladen werden und muss zusammen mit dem Gerät aufbewahrt werden. CLAY PAKY S.p.A. behält sich das Recht vor, die in der Dokumentation enthaltenen Anweisungen und Spezifikationen jederzeit ohne vorherige Ankündigung zu ändern.

• Installation

Vergewissern Sie sich, dass alle Teile zur Befestigung der Leuchte in einem guten Zustand sind. Stellen Sie sicher, dass der Verankerungspunkt stabil ist, bevor Sie die Leuchte befestigen. Die Sicherungskette muss ordnungsgemäß an der Armatur eingehängt und am Rahmen befestigt werden, damit die Armatur bei Ausfall des primären Stützsystems so wenig wie möglich herunterfällt. Wenn die Sicherungskette Abnutzungserscheinungen aufweist, muss sie durch einen Originalersatzteil ersetzt werden.

• Fotobiologische Sicherheit



Dieses Produkt enthält eine Lichtquelle auf Basis von Laserdioden. Es entspricht den Anforderungen in Abschnitt 4.4 der Lasersicherheitsnorm IEC 60825-1:2014 (3.Auflage):

- Es handelt sich um ein „Laserprodukt, das als konventionelle Leuchte konzipiert ist“, wie in Abschnitt 4.4 selbst definiert. Daher ist es gemäß IEC 60825-1:2014 als LASERPRODUKT DER KLASSE 1 eingestuft.
- Die fotobiologische Risikoklassifizierung wurde gemäß der Norm IEC 62471:2006 für konventionelle Leuchten unter Verwendung der ICNIRP-Expositionsgrenzwerte von 2013 durchgeführt, und ergab die Risikogruppe 3 (RG3).

Laserprodukt der Klasse 1 (IEC 60825-1:2014) – RG3 (IEC 62471:2006)

- Dieses Produkt sendet möglicherweise gefährliche optische Strahlung aus.
- Schauen Sie nicht in die eingeschaltete Lichtquelle und halten Sie Gefahrenabstand ein. Es kann eine Augenverletzung zur Folge haben.
- Vorsicht – Die Verwendung von Steuerungen oder Einstellungen sowie die Durchführung anderer als der hier angegebenen Verfahren kann zu einer gefährlichen Lichtexposition führen.
- Die US-amerikanische Food and Drug Administration (FDA) schreibt vor, dass dieses Produkt in den USA nur mit einer Genehmigung gekauft und betrieben werden darf. Diese von der FDA kostenlos erteilte Genehmigung wird als Abweichung bezeichnet. Die erforderlichen Verfahren finden Sie im Abweichungsdokument.
- Alle Bediener müssen rechtmäßige Mitarbeiter des Inhabers einer solchen Abweichung sein und eine einfache Schulung, die Sicherheit und Betrieb umfasst, absolviert haben.
- Der Bediener muss den Zugang zum Lichtstrahl innerhalb des Gefahrenbereichs kontrollieren oder das Produkt in einer Höhe installieren, sodass verhindert wird, dass sich die Augen der Zuschauer innerhalb des Gefahrenbereichs befinden.
- Die Leuchte übersteigt die Exempt-Risk-Gruppe; das Risiko für den Betrachter hängt davon ab, wie der Benutzer das Produkt installiert und verwendet.

Gefahrenbereich (je nach Einstellungen):

GB = 82ft 25,0 m
GB = 70ft 21,5 m
GB = 60ft 18,5 m
GB = 50ft 15,0 m
GB = 26ft 08,0 m

Weitere Informationen finden Sie in der Bedienungsanleitung.

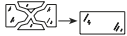
Dieses Laserprodukt ist für alle Betriebsvorgänge als Klasse 1/RG3 eingestuft.

- Betreiben Sie das Gerät nicht, wenn sich Personal innerhalb des Gefahrenbereichs befindet, da die Gefahr von Haut- oder Hornhautverbrennungen besteht.
- Das Gerät darf unter keinen Umständen betrieben werden, wenn es defekt ist oder die Abdeckungen oder Dichtungen beschädigt sind.
- Eine Wartung ist seitens des Benutzers nicht erforderlich.
- Der Benutzer darf das Gerät nicht verändern oder Schutzabdeckungen oder -gehäuse entfernen, außer für Wartungsarbeiten: Möglicherweise gefährliches Laserlicht der Klasse 3B kann offen zugänglich sein, wenn die Wartungsstandards nicht eingehalten werden.
- Der Wartungsservice darf nur von geschultem und autorisiertem Personal durchgeführt werden. Ausführliche Sicherheitsinformationen finden Sie im Servicehandbuch.



Schauen Sie nicht in die eingeschaltete Lichtquelle

Die Leuchte sollte so positioniert werden, dass ein längerer Blick in die Leuchte aus einer Entfernung von weniger als 225 m nicht zu erwarten ist.



Nutzen Sie die Leuchte nicht ohne vollständig installiertes Lichtquellengehäuse oder im Falle beschädigter Linsen. Linsen und Gehäuse müssen montiert und bei sichtbarer Beschädigung durch Originalersatzteile ersetzt werden, um zu vermeiden, dass Sie potenziell gefährlichen internen Laserlichtdosen ausgesetzt sind.



Vorsicht: Stromschlaggefahr

Die in dieser Leuchte enthaltene Lichtquelle darf nur vom Hersteller, seinem Servicepersonal oder einer vergleichbar qualifizierten Person ersetzt werden.

Anschluss an das Stromnetz

Der Anschluss an das Stromnetz muss von einem qualifizierten Elektroinstallateur durchgeführt werden. Überprüfen Sie, ob die Netzfrequenz und -spannung jenen entsprechen, für die die Leuchte gemäß den Angaben auf dem elektrischen Datenetikett ausgelegt ist. Dieses Etikett gibt auch die Eingangsleistung an, auf die Sie sich beziehen müssen, um die maximale Anzahl von Armaturen für den Anschluss an die Stromleitung zu ermitteln, um eine Überlastung zu vermeiden.

WICHTIG: Wenn die Leuchte im Wohnumfeld eingesetzt wird, könnte es in einigen Fällen notwendig sein, geeignete Maßnahmen zu ergreifen, um EMI-Störungen für Rundfunkempfängerausrüstung zu vermeiden.



Schutz vor elektrischem Schlag

Der Anschluss muss an ein Stromversorgungssystem mit effizienter Erdung erfolgen (Gerät der Klasse I gemäß Norm EN 60598-1). Darüber hinaus wird empfohlen, die Versorgungsleitungen der Leuchten durch Verwendung von Fehlerstromschutzgeräten geeigneter Größe vor indirektem Kontakt oder Kurzschluss zur Erde zu schützen.

t_a 40°C

Maximale Umgebungstemperatur

Betreiben Sie das Gerät nicht, wenn die Umgebungstemperatur (T_a) über 40°C (104 F) liegt.

t_c 60°C

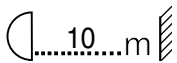
Temperatur der Außenfläche

Die maximale Temperatur, die dauerhaft an der Außenfläche des Anschlussstücks erreicht werden darf, beträgt 60 C (140 F).

IP20

Schutzart IP20

Die Armatur ist gegen das Eindringen von festen Körpern mit einem Durchmesser von mehr als 12mm (0,47“) geschützt (erste Ziffer 2), jedoch nicht gegen tropfendes Wasser, Regen, Spritzer oder Wasserstrahlen (zweite Ziffer 0).



Mindestabstand von beleuchteten Objekten

Die Leuchte muss so positioniert werden, dass die vom Lichtstrahl getroffenen Objekte mindestens 10 Meter (32' 10“) von der Linse der Leuchte entfernt sind. Informationen zu den Expositionsabständen für das Personal finden Sie unter den oben angegebenen Gefahrenabständen.

Mindestabstand zu brennbaren Materialien

Die Leuchte muss so positioniert sein, dass brennbare Materialien mindestens 0,2 Meter (8“) von jedem Punkt auf der Oberfläche der Leuchte entfernt sind.



Lichtkollimationssystem

Dieses Produkt enthält ein internes Lichtkollimationssystem. Vermeiden Sie intensives Licht aus jedem Winkel.



Dieses Produkt ist für folgende Anwendungsbereiche vorgesehen:

Studios, Bühnen, Theater, Ausstellungen, Messen, Veranstaltungen, Themenparks, Unterhaltungsstätten, architektonische Beleuchtung und ähnliches.



Nicht für die Haushaltsbeleuchtung geeignet



Nicht für den privaten Gebrauch



Batterie

Dieses Produkt enthält einen Akku. Um die Umwelt zu schonen, entsorgen Sie den Akku am Ende seiner Lebensdauer gemäß den lokal geltenden Vorschriften.



Entsorgung

Dieses Produkt wird gemäß der europäischen Richtlinie 2012/19/EU – Elektro- und Elektronikaltgeräte (WEEE) geliefert. Um die Umwelt zu schonen, entsorgen (recyclen) Sie das Produkt am Ende seiner Lebensdauer gemäß den lokal geltenden Vorschriften.



Die Produkte, auf die sich dieses Handbuch bezieht, entsprechen den europäischen Richtlinien gemäß:

- 2014/35/EU – Sicherheit elektrischer Geräte, die mit Niederspannung versorgt werden (LVD)
- 2014/30/EU – Elektromagnetische Verträglichkeit (EMV)
- 2011/65/EU – Beschränkung der Verwendung bestimmter gefährlicher Stoffe (RoHS)
- 2009/125/EG – Ökodesign-Anforderungen für energieverbrauchsrelevante Produkte (ErP)

INFORMACIÓN DE SEGURIDAD


Lea atentamente este documento y consérvelo para futuras consultas. CLAY PAKY S.p.A. declina toda responsabilidad por los daños causados al aparato o a otras cosas o personas, derivados de una instalación, uso y mantenimiento no conformes a lo establecido en las indicaciones del presente documento y en el manual de instrucciones. El manual de instrucciones debe descargarse desde el sitio web www.claypaky.com y ha de guardarse junto al aparato. CLAY PAKY S.p.A. se reserva el derecho de modificar las instrucciones y especificaciones incluidas en su documentación en cualquier momento y sin previo aviso.

• Instalación

Asegúrese de que todos los elementos para fijar la luminaria estén en buen estado de conservación. Compruebe la estabilidad del punto de anclaje antes de instalar la luminaria. La cuerda de seguridad debe estar correctamente enanchada al aparato y fijada a la estructura de soporte para que, si el soporte principal falla, el aparato sufra la menor caída posible. En caso de que la cuerda de seguridad se desgastara, sustitúyala por un recambio original.

• Seguridad fotobiológica





GRUPO DE RIESGO 3
ADVERTENCIA: EL PRODUCTO PUEDE EMITIR RADIACIÓN ÓPTICA PELIGROSA. NO MIRE A LA FUENTE DE LUZ EN FUNCIONAMIENTO. PODRÍA PROVOCAR DAÑOS OCULARES.

EN/IEC 62471
DISTANCIA DE RIESGO: CONSULTE EL MANUAL

Este producto incluye una fuente de luz basada en diodos de láser. Cumple con los requisitos de la cláusula 4.4 de la norma IEC 60825-1:2014 (3a edición) sobre la seguridad de productos láser:

- Es un "producto láser diseñado para funcionar como una luminaria convencional" tal y como se establece en la cláusula 4.4, por lo que está clasificado como un PRODUCTO LÁSER CLASE 1 de acuerdo con IEC 60825-1:2014.
- La clasificación del riesgo fotobiológico se realiza de acuerdo con la norma IEC 62471:2006, para luminarias convencionales, utilizando límites de exposición ICNIRP 2013, dando como resultado un Grupo de Riesgo 3 (RG3).

Producto láser Clase 1 (IEC 60825-1:2014) - RG3 (IEC 62471:2006)

- El producto puede emitir radiación óptica peligrosa.
- No mire a la fuente de luz en funcionamiento más cerca de la Distancia de Riesgo. Podría provocar daños oculares.
- Precaución - El uso de controles o ajustes o la realización de procedimientos diversos a los aquí indicados podrían provocar una exposición peligrosa a la luz.
- La Administración de Alimentos y Medicamentos (FDA) de los Estados Unidos exige que este producto se compre y se emplee en los Estados Unidos en los términos de un permiso. Este permiso emitido por la FDA de forma gratuita se denomina variance (variación). Consulte el documento variance para conocer los procedimientos requeridos.
- Todos los operadores deben ser empleados en regla del titular del documento variance, así como haber realizado un sencillo curso de formación que incluya los temas de seguridad y funcionamiento.
- Los operadores deben controlar el acceso al haz dentro de la distancia de riesgo o instalar el producto a una altura que evite que los ojos de los espectadores se encuentren dentro de dicha distancia.
- La luminaria supera los valores del Grupo Exento de Riesgo; el riesgo al que se expone el espectador depende de la forma en que el usuario instale y utilice el producto.

Distancias de riesgo (HD) (según la configuración):

HD = 82 ft 25.0 m
HD = 70 ft 21.5 m
HD = 60 ft 18.5 m
HD = 50 ft 15.0 m
HD = 26 ft 08.0 m

para más información, véase el procedimiento operativo

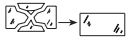
Este Producto Láser se ha designado como Clase 1/RG3 para todos los procesos de funcionamiento.

- No utilice el producto con una distancia de exposición del personal inferior a la distancia de riesgo declarada, ya que podría provocar quemaduras en la córnea.
- No utilice el dispositivo en caso de que fuera defectuoso o se observaran daños en las cubiertas y juntas.
- No es necesaria ninguna operación de mantenimiento por parte del usuario.
- El usuario no debe modificar el dispositivo ni tampoco retirar cubiertas o carcasas excepto en el caso de operaciones de mantenimiento: es posible alcanzar una luz láser de Clase 3B potencialmente peligrosa si no se realizan correctamente las operaciones de mantenimiento.
- Las operaciones de mantenimiento deben ser efectuadas únicamente por personal autorizado y cualificado. Consulte el Manual de Servicio para más información de seguridad.



No mire fijamente a la fuente de luz en funcionamiento

La luminaria debe colocarse de manera que no sea posible mirarla fijamente de forma prolongada a una distancia inferior a 225 m.



No ponga en funcionamiento la luminaria antes de colocar la fuente de luz en su sitio o en caso de que la lente esté dañada. La carcasa y las lentes deben estar montadas y, en caso de daños visibles, deben sustituirse por recambios originales para evitar la exposición a niveles de luz láser interna potencialmente peligrosos.



Precaución, riesgo de descargas eléctricas

La fuente de luz de esta luminaria deberá ser sustituida únicamente por el fabricante, por su agente de mantenimiento o por una persona cualificada.

Conexión a la red de alimentación

La conexión a la red eléctrica deberá efectuarla un instalador eléctrico cualificado. Compruebe que los valores de frecuencia y tensión de red correspondan a aquellos para los que se ha diseñado la luminaria, tal y como se indica en la placa de los datos eléctricos. En la misma placa se indica la potencia de entrada que ha de tenerse en cuenta para valorar el número máximo de aparatos que pueden conectarse a la línea eléctrica con el fin de evitar sobrecargas.

IMPORTANTE: si la luminaria se utiliza en espacios residenciales, en algunos casos podría ser necesario adoptar medidas adecuadas para evitar interferencias IEM en los equipos receptores de radiodifusión.



Protección contra descargas eléctricas

Es obligatorio efectuar la conexión a una instalación de alimentación dotada de una eficiente puesta a tierra (aparato de Clase I según la norma EN 60598-1). Además, se recomienda proteger las líneas de alimentación de las luminarias del contacto indirecto y/o los cortocircuitos a tierra, mediante el uso de interruptores diferenciales dimensionados oportunamente.

t_a 40°C

Temperatura ambiente máxima

No utilice el dispositivo si la temperatura ambiente (T_a) supera los 40 °C (104 °F).

t_c 60°C

Temperatura de la superficie externa

La temperatura máxima que puede alcanzar la superficie externa del aparato, en condiciones térmicas estables, es de 60 °C (140 °F).

IP20

Grado de protección IP20

El aparato está protegido contra la penetración de cuerpos sólidos con un diámetro superior a 12 mm (0.47") (primer dígito 2), pero no contra el goteo de agua, la lluvia, las salpicaduras y los chorros de agua (segundo dígito 0).



Distancia mínima de los objetos iluminados

La luminaria debe colocarse de tal modo que los objetos iluminados por el haz de luz se encuentren a un mínimo de 10 metros (32' 10") desde la lente de la luminaria. Para más información sobre las distancias de exposición para el personal, consulte las Distancias de Riesgo indicadas más arriba.

Distancia mínima de los materiales inflamables

La luminaria debe colocarse de tal modo que los materiales inflamables se encuentren a un mínimo de 0.2 metros (8") de distancia desde cualquier punto de la superficie de la luminaria.



Sistema de colimación de la luz

Este producto contiene un sistema interno de colimación de la luz. Evite la luz intensa desde cualquier ángulo.



Este producto está destinado a las siguientes áreas de aplicación:

estudios, escenarios, teatros, exposiciones, ferias, eventos, parques temáticos, lugares de ocio, iluminación arquitectónica y similares.



No apto para la iluminación del hogar



No para uso residencial



Batería

Este producto contiene una batería recargable. Con el fin de proteger el medio ambiente, elimine la batería al final de su vida útil siguiendo la normativa vigente.



Eliminación

Este producto se suministra conforme a la Directiva Europea 2012/19/UE - Residuos de aparatos eléctricos y electrónicos (RAEE). Con el fin de proteger el medio ambiente, elimine/recicle este producto al final de su vida útil siguiendo la normativa local.



Los productos a los que se refiere el presente manual cumplen con las Directivas Europeas en virtud de:

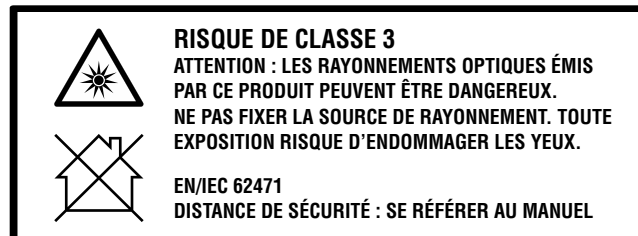
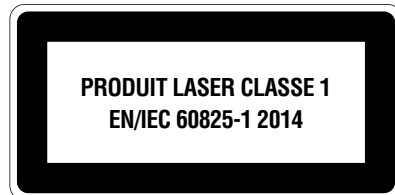
- 2014/35/EU - Seguridad de equipos eléctricos suministrados a baja tensión (LVD - Low Voltage Directive)
- 2014/30/UE - Compatibilidad electromagnética (CEM)
- 2011/65/UE - Restricción en el uso de determinadas sustancias peligrosas (RoHS)
- 2009/125/CE - Requisitos de diseño ecológico aplicables a los productos relacionados con la energía (ErP)

Veillez lire attentivement ce document et le conserver en cas de nécessité. CLAY PAKY S.p.A. décline toute responsabilité en cas de dommages à l'appareil, à la propriété ou en cas de blessures à des tiers résultant d'une installation ou d'un entretien qui n'est pas effectué conformément aux instructions de ce document et du manuel d'instructions. Le manuel d'instructions peut être téléchargé sur le site www.claypaky.com et doit être conservé avec l'appareil. CLAY PAKY S.p.A. se réserve le droit de modifier les instructions et les spécifications indiquées dans sa documentation à tout moment et sans préavis.

• Installation

S'assurer que toutes les pièces nécessaires à la fixation du luminaire sont en bon état. S'assurer que le point d'ancrage est stable avant de mettre en place le luminaire. La chaîne de sécurité doit être correctement accrochée à l'appareil et fixée à l'armature, de sorte que, en cas de défaillance du système de support primaire, l'appareil tombe le moins possible. Si la chaîne de sécurité est utilisée, elle doit être remplacée par une pièce de rechange d'origine.

• Sécurité photobiologique



Ce produit contient une source de lumière basée sur des diodes laser. Ce produit est conforme aux exigences de la clause 4.4 de la norme de sécurité des lasers IEC 60825-1:2014 (3ème édition), à savoir :

- Il s'agit d'un « appareil laser destiné à fonctionner comme des luminaires conventionnelles » tel que défini dans la clause 4.4, il est donc classé comme PRODUIT LASER DE CLASSE 1 selon la norme IEC 60825-1:2014.
- La classification des risques photobiologiques est effectuée selon la norme IEC 62471:2006, pour les luminaires conventionnels, en utilisant les limites d'exposition de la CIPRNI 2013, ce qui donne un groupe de risque 3 (RG3).

Produit laser classe 1 (IEC 60825-1:2014) - GR3 (IEC 62471:2006)

- Les rayonnements optiques émis par ce produit peuvent être dangereux.
- Ne pas fixer la source de rayonnement et respecter la distance de sécurité. Toute exposition risque d'endommager les yeux.
- Attention - L'utilisation de contrôles ou d'ajustements ou l'exécution de procédures autres que celles spécifiées dans le présent document peuvent entraîner une exposition dangereuse à la lumière.
- La Food and Drug Administration (FDA, « Agence américaine des produits alimentaires et médicamenteux ») exige que ce produit soit acheté et exploité aux États-Unis selon les termes d'un permis. Ce permis, qui est délivré gratuitement par la FDA, est appelé « variance » (dérogation). Voir le document de dérogation pour les procédures requises.
- Tous les opérateurs doivent être des employés légaux du titulaire de la dérogation et avoir suivi un cours de formation sur la sécurité et le fonctionnement du produit.
- Les opérateurs doivent contrôler l'accès au faisceau dans les limites de la distance de sécurité ou installer le produit à une hauteur qui empêchera les yeux des spectateurs de se trouver dans la zone d'exposition.
- Le luminaire ne rentrant pas dans le groupe à risque exempt ; le risque lié au spectateur dépend de la manière dont l'utilisateur installe et utilise le produit.

Distances de sécurité (dépend des réglages) :

DS = 82ft. 25,0 m.
 DS = 70ft. 21,5 m.
 DS = 60ft. 18,5 m.
 DS = 50ft. 15,0 m.
 DS = 26ft. 08,0 m.

voir la procédure d'exploitation pour plus d'informations

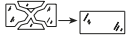
Ce produit laser est considéré de classe 1 / GR3 pendant toutes les procédures d'exploitation.

- Ne pas opérer si l'exposition du personnel est inférieure à la distance de sécurité en raison du risque de brûlures de la peau ou de la cornée.
- L'appareil ne doit jamais être utilisé s'il est défectueux ou si la coque ou les joints sont endommagés.
- Aucune maintenance n'est requise de la part de l'utilisateur.
- L'utilisateur ne doit pas modifier l'appareil ni retirer les protections ou la coque, sauf pour l'entretien : la lumière laser de classe 3B, potentiellement dangereuse, est accessible si les procédures d'entretien ne sont pas respectées.
- L'entretien ne doit être effectué que par un personnel formé et autorisé. Consulter le manuel d'entretien pour obtenir des informations détaillées sur la sécurité.



Ne pas fixer la source lumineuse en fonctionnement

Le luminaire doit être placé de façon à éviter un regard prolongé vers celui-ci à une distance inférieure à 225 m.



Ne pas faire fonctionner sans que le boîtier de la source lumineuse soit en place ou lorsque les lentilles sont endommagées. Les lentilles et le boîtier doivent être montés et, s'ils sont visiblement endommagés, ils doivent être remplacés par des pièces de rechange d'origine pour éviter l'exposition à des niveaux de lumière laser interne potentiellement dangereux.



Attention, risque de choc électrique

La source lumineuse contenue dans ce luminaire ne peut être remplacée que par le fabricant ou son agent de service ou une personne de qualification équivalente.

Branchement au réseau d'alimentation

Le raccordement au réseau électrique doit être effectué par un électricien qualifié. Vérifier que la fréquence et la tension du réseau correspondent à celles pour lesquelles le luminaire est conçu, comme indiqué sur l'étiquette des données électriques. Cette étiquette indique également la puissance d'entrée à laquelle vous devez vous référer pour évaluer le nombre maximum de luminaires à raccorder à la ligne électrique, afin d'éviter toute surcharge.

IMPORTANT : si le luminaire est utilisé dans un environnement résidentiel, il peut être nécessaire, dans certains cas, d'adopter des mesures appropriées pour éviter les interférences électromagnétiques (EMI) des équipements de radiodiffusion.



Protection contre les chocs électriques

Le raccordement doit être effectué à un système d'alimentation électrique équipé d'une mise à la terre efficace (appareil de classe I selon la norme EN 60598-1). Il est en outre recommandé de protéger les lignes d'alimentation des luminaires contre les contacts indirects et/ou les courts-circuits en utilisant des dispositifs différentiels à courant résiduel de taille appropriée.

t_a 40°C

Température ambiante maximale

Ne pas faire fonctionner l'appareil si la température ambiante (T_a) dépasse 40° C (104° F).

t_c 60°C

Température de la surface extérieure

La température maximale pouvant être atteinte sur la surface extérieure du raccord, en régime de stabilité thermique, est de 60°C (140 °F).

IP20

IP20 indice de protection

L'appareil est protégé contre la pénétration de corps solides de plus de 12 mm de diamètre (premier chiffre 2), mais pas contre les gouttes d'eau, la pluie, les éclaboussures ou les jets d'eau (deuxième chiffre 0).



Distance minimale des objets éclairés

Le luminaire doit être positionné de manière à ce que les objets atteints par le faisceau lumineux se trouvent au moins à 10 mètres de la lentille du luminaire. En ce qui concerne les distances d'exposition du personnel, se référer aux distances de danger décrites ci-dessus.

Distance minimale des matériaux inflammables

Le luminaire doit être placé de manière à ce que tout matériau inflammable se trouve à au moins 0,2 mètre de chaque point de la surface du luminaire.



Système de collimation de la lumière

Ce produit contient un système interne de collimation de la lumière. Éviter la lumière intense sous n'importe quel angle.



Ce produit est destiné aux domaines d'application suivant :

studios, scènes, théâtres, expositions, foires commerciales, événements, parcs à thème, lieux de divertissement, éclairage architectural et autres.



Ne convient pas à l'éclairage domestique



Non destiné à un usage résidentiel



Batterie

Ce produit contient une batterie rechargeable. Afin de préserver l'environnement, il est nécessaire d'éliminer la batterie en fin de vie conformément à la réglementation en vigueur.



Élimination

Ce produit est fourni en conformité avec la directive européenne 2012/19/UE relative aux déchets d'équipements électriques et électroniques (DEEE). Afin de préserver l'environnement, il est nécessaire de éliminer/recycler ce produit en fin de vie conformément aux réglementations locales en vigueur.



Les produits auxquels ce manuel fait référence sont conformes aux directives européennes en vigueur :

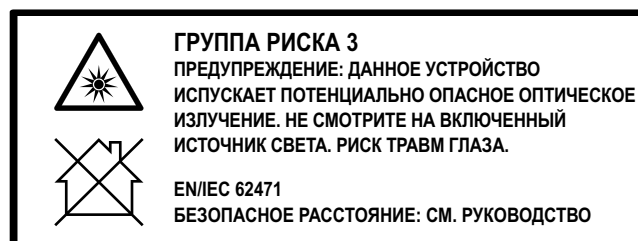
- 2014/35/EU - Sécurité du matériel électrique à basse tension (DBT)
- 2014/30/EU - Compatibilité électromagnétique (CEM)
- 2011/65/EU - Limitation de l'utilisation de certaines substances dangereuses dans les équipements électriques et électroniques (RoHS)
- 2009/125/EC - Exigences en matière d'écoconception applicables aux produits liés à l'énergie (ErP)

Внимательно прочитайте данный документ и сохраните его для дальнейшего использования. CLAY PAKY S.p.A. не несет никакой ответственности за повреждение прибора, имущества или нанесение травм третьим лицам в результате монтажа, использования или обслуживания, которые выполняются не в соответствии с предписаниями данного документа и руководства по эксплуатации. Руководство по эксплуатации можно скачать на веб-сайте www.claypaky.com, и его необходимо хранить рядом с прибором. CLAY PAKY S.p.A. оставляет за собой право вносить изменения в указания и спецификации, приведенные в данной документации, в любой момент и без предварительного уведомления.

• Монтаж

Удостоверьтесь, что все части крепления светильника находятся в исправном состоянии. Удостоверьтесь в устойчивости точки крепления, прежде чем размещать светильник. Цепь безопасности должна быть надлежащим образом прикреплена к прибору и к раме, таким образом, если основное крепление не выдержит, то прибор не упадет с большой высоты. Если цепь безопасности изношена, ее необходимо заменить на оригинальную запасную цепь.

• Фотобиологическая безопасность



В данном изделии установлен источник света на основе лазерных диодов. Он соответствует требованиям пункта 4.4 стандарта по лазерной безопасности IEC 60825-1:2014 (3-е издание), следовательно:

- Это «лазерное устройство, предназначенное для функционирования в качестве обычного светильника», как определено в пункте 4.4, поэтому данный прибор классифицируется как ЛАЗЕРНОЕ УСТРОЙСТВО КЛАССА 1 в соответствии с IEC 60825-1:2014.
- Классификация фотобиологического риска выполняется в соответствии со стандартом IEC 62471:2006 для обычных светильников с применением допустимых пределов излучения ICNIRP за 2013 год, согласно которым прибор соответствует группе риска 3 (RG3).

Лазерное устройство класса 1 (IEC 60825-1:2014) - RG3 (IEC 62471:2006)

- Данное изделие испускает потенциально опасное оптическое излучение.
- Не смотрите на включенный источник света и соблюдайте безопасное расстояние. Риск травм глаза.
- Осторожно! - Использование органов управления, регулировки или выполнение действий, отличных от указанных в данном документе, может привести к опасному воздействию света высокой интенсивности.
- В соответствии с требованиями Управления по контролю за продуктами питания и лекарственными средствами США (FDA), на приобретение и эксплуатацию данного изделия на территории США требуется специальное разрешение. Данное разрешение FDA выдает бесплатно. Порядок его получения описан в отдельном документе.
- Все операторы должны быть официальным персоналом владельца разрешения и должны пройти простой обучающий курс, включающий технику безопасности и правила эксплуатации.
- Операторы должны контролировать доступ к лучу на опасном расстоянии или устанавливать прибор на высоте, которая не позволит глазам зрителей смотреть на луч с опасного расстояния.
- Характеристики светильника превышают требования для группы приборов, не представляющей риска; риск для глаз зрителей зависит от того, как пользователь установит и будет использовать изделие.

Безопасное расстояние (в зависимости от настроек):

HD = 82 футов 25,0 м
 HD = 70 футов 21,5 м
 HD = 60 футов 18,5 м
 HD = 50 футов 15,0 м
 HD = 26 футов 08,0 м

см. более подробную информацию в описании порядка эксплуатации

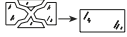
Данное лазерное устройство относится к классу 1 / RG3 в любом режиме эксплуатации.

- Персонал при работе должен соблюдать указанное безопасное расстояние в связи с риском ожогов кожи или роговицы.
- Запрещено эксплуатировать устройство, если оно неисправно, либо повреждены крышки или уплотнения.
- Данное устройство не требует никакого обслуживания со стороны пользователя.
- Пользователь не должен вносить изменения в конструкцию устройства, снимать защитные крышки или кожухи, исключением является выполнение обслуживания: при несоблюдении порядка выполнения обслуживания существует риск воздействия потенциально опасного лазерного излучения класса 3B.
- Обслуживание должно выполняться исключительно обученным и уполномоченным персоналом. Подробная информация по технике безопасности изложена в руководстве по обслуживанию.



Не смотрите на включенный источник света

Осветительный прибор должен быть размещен таким образом, чтобы люди не должны были продолжительно на него смотреть с расстояния менее 225 м.



Работайте только с установленной и целой оболочкой источника света, не эксплуатируйте прибор, если линзы повреждены. Линзы и корпус должны быть установлены, и, если они заметно повреждены, их необходимо заменить на оригинальные запасные части во избежание воздействия потенциально опасного лазерного излучения.



Осторожно, риск поражения электрическим током

Источник света, установленный в данном светильнике, должен заменять исключительно производитель, авторизованный им агент по обслуживанию, либо лицо, имеющее сопоставимую квалификацию.

Подключение к сети электропитания

Подключение к электросети должно осуществляться квалифицированным электриком. Проверьте, что частота и напряжение электросети соответствуют значениям, для которых предназначен светильник, указанным на табличке с электрическими параметрами. На данной табличке указана также входная мощность, которую надо учитывать при расчете максимального количества устройств, подключаемых к электрической линии, во избежание перегрузок.

ВАЖНО: Если светильник используется в жилой среде, то в некоторых случаях может потребоваться принять меры по предотвращению электромагнитных помех для радиоприемников.



Защита от поражения электрическим током

Необходимо подключать прибор к системе электроснабжения, оснащенной эффективным заземлением (прибор класса I в соответствии со стандартом EN 60598-1). Кроме того, рекомендуется обеспечить защиту линий электропитания светильников от короткого замыкания и/или замыкания на землю с помощью устройств защитного отключения с соответствующим номиналом.

t_a 40°C

Максимальная температура воздуха

Не используйте прибор, если температура окружающей среды (T_a) превышает 40°C (104°F).

t_c 60°C

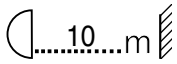
Температура наружной поверхности

Максимальная допустимая температура на наружной поверхности прибора в термически устойчивом состоянии составляет 60°C (140°F).

IP20

Степень защиты IP20

Корпус прибора защищает от проникновения внутрь предметов с диаметром более 12 мм (0,47 дюйма) (первая цифра 2), но не защищает от попадания капель воды, дождя, брызг или струй воды (вторая цифра 0).



Минимальное расстояние от освещаемых предметов

Светильник должен быть расположен таким образом, чтобы предметы, попадающие под луч света, находились на расстоянии не менее 10 метров (32'10 дюймов) от линзы светильника. Безопасное расстояние для персонала указано выше в разделе «Безопасное расстояние».

Минимальное расстояние от легковоспламеняющихся материалов

Светильник должен быть расположен таким образом, чтобы все легковоспламеняющиеся материалы находились на расстоянии не менее 0,2 метра от любой точки на поверхности светильника.



Система коллимации света

Данное изделие оборудовано встроенной системой коллимации света. Избегайте интенсивного излучения из любого угла.



Данное изделие предназначено для следующих областей применения:

студии записи, сцены, театры, выставки, ярмарки, мероприятия, тематические парки, развлекательные центры, архитектурное освещение и тому подобное.



Прибор не пригоден для бытового освещения



Прибор не предназначен для использования в жилых помещениях



Батарея

В данном изделии установлен аккумулятор. В целях охраны окружающей среды обеспечьте утилизацию отработавшей батареи в соответствии с действующим законодательством.



Утилизация

Данный прибор поставляется в соответствии с директивой ЕС 2012/19/ЕС - Отходы электрического и электронного оборудования (ОЭЭО). В целях охраны окружающей среды обеспечьте утилизацию/отправку прибора на переработку в соответствии с местным законодательством.



Изделия, на которые распространяется данное руководство, соответствуют требованиям следующих директив ЕС:

- 2014/35/ЕС - Безопасность низковольтного оборудования (LVD)
- 2014/30/ЕС - Электромагнитная совместимость (EMC)
- 2011/65/ЕС - Ограничение содержания вредных веществ (RoHS)
- 2009/125/ЕС - Требования экодизайна к продукции, связанной с энергопотреблением (ErP)

