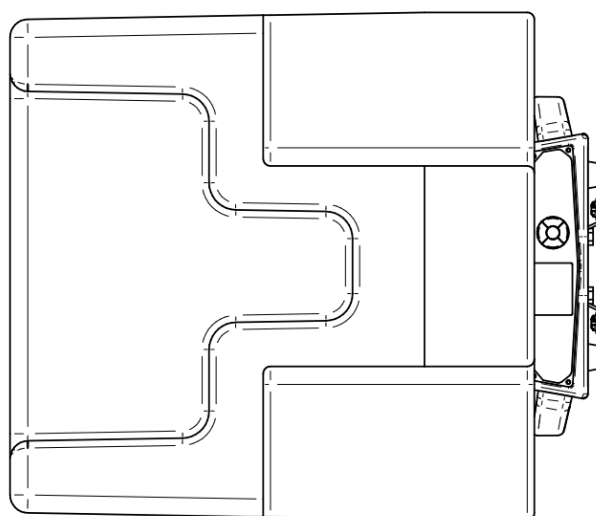
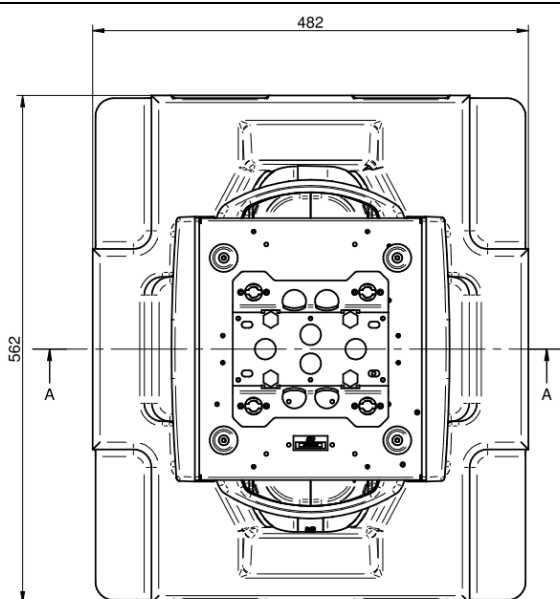
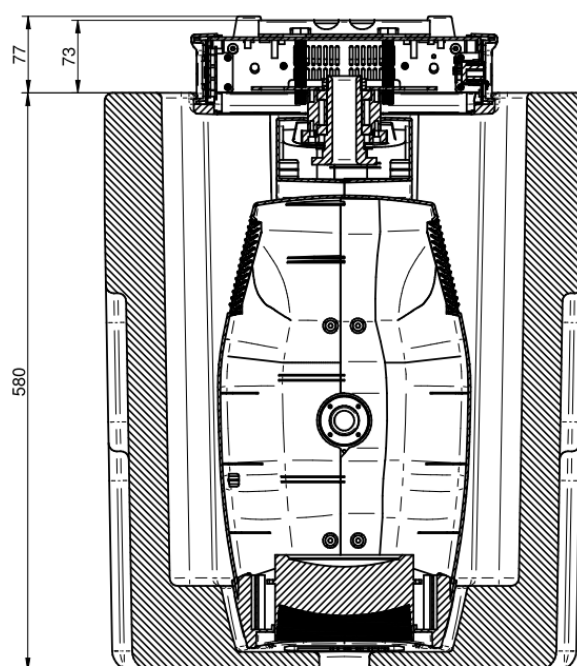
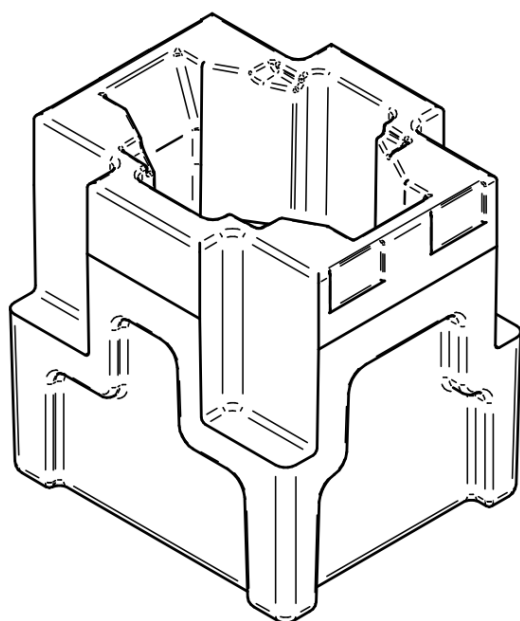


EPP Foam Shell part number	
F21312/001	Foam Shell SHARPY PLUS

Foam Shell dimensions SHARPY PLUS



Flight case dimensions and part number: CF1000

The part number CF1000 of flight case is to be intended with 2 included foam shell

