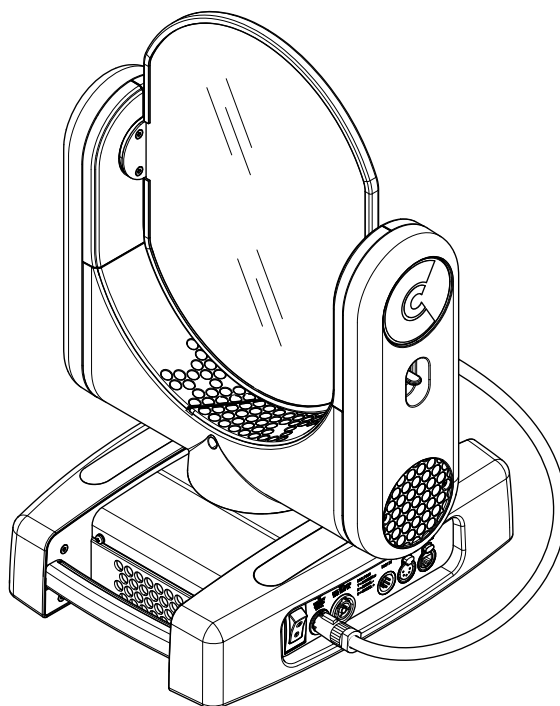


INSTRUCTION MANUAL



INDEX

Page	Contents
2	1. Safety information
3	2. Unpacking and preparation
4	3. Installation and start-up
4	3.1 Installing the fixture
4	3.2 Connecting to mains supply
5	3.3 Connecting the control signal line: DMX / Art-Net
5	3.4 Switching on the fixture and basic SetUp
7	4. Maintenance
7	4.1 Periodical cleaning
8	4.2 Battery removal
9	5. Specifications
10	6. Cause and solution of problems

Congratulations on choosing a Claypaky product!

We thank you for your custom.

Please note that this product, as all the others in the rich Claypaky range, has been designed and made with total quality to ensure excellent performance and best meet your expectations and requirements.

1. SAFETY INFORMATION

EN

SAFETY INFORMATION

IMPORTANT: Claypaky recommends you carefully read and keep the safety information on this product, also available in digital format at the following link:

www.claypaky.com

Ref: [FIS01W - Safety informatio ReflectXion]

IT

INFORMAZIONI DI SICUREZZA

IMPORTANTE: Claypaky raccomanda di leggere accuratamente e conservare le informazioni di sicurezza relative a questo prodotto, sempre reperibili in versione digitale al seguente link:

www.claypaky.com

Rif: [FIS01W - Safety informatio ReflectXion]

DE

INFORMATIONEN ZUR SICHERHEIT

WICHTIG: Claypaky empfiehlt, die Sicherheitsinformationen bezüglich dieses Produkts genau zu lesen und aufzubewahren. Sie sind in Digitalversion immer unter folgendem Link auffindbar:

www.claypaky.com

Ref: [FIS01W - Safety informatio ReflectXion]

ES

INFORMACIONES DE SEGURIDAD

IMPORTANTE: Claypaky recomienda leer detenidamente y conservar la información de seguridad relativa a este producto. Además, está disponible una versión digital de la misma en el siguiente enlace:

www.claypaky.com

Ref: [FIS01W - Safety informatio ReflectXion]

FR

CONSIGNES DE SÉCURITÉ

IMPORTANT: Claypaky recommande de lire attentivement et de conserver les informations de sécurité relatives à ce produit, disponibles en version digitale au lien suivant:

www.claypaky.com/download

Réf. : [FIS01W - Safety informatio ReflectXion]

RU

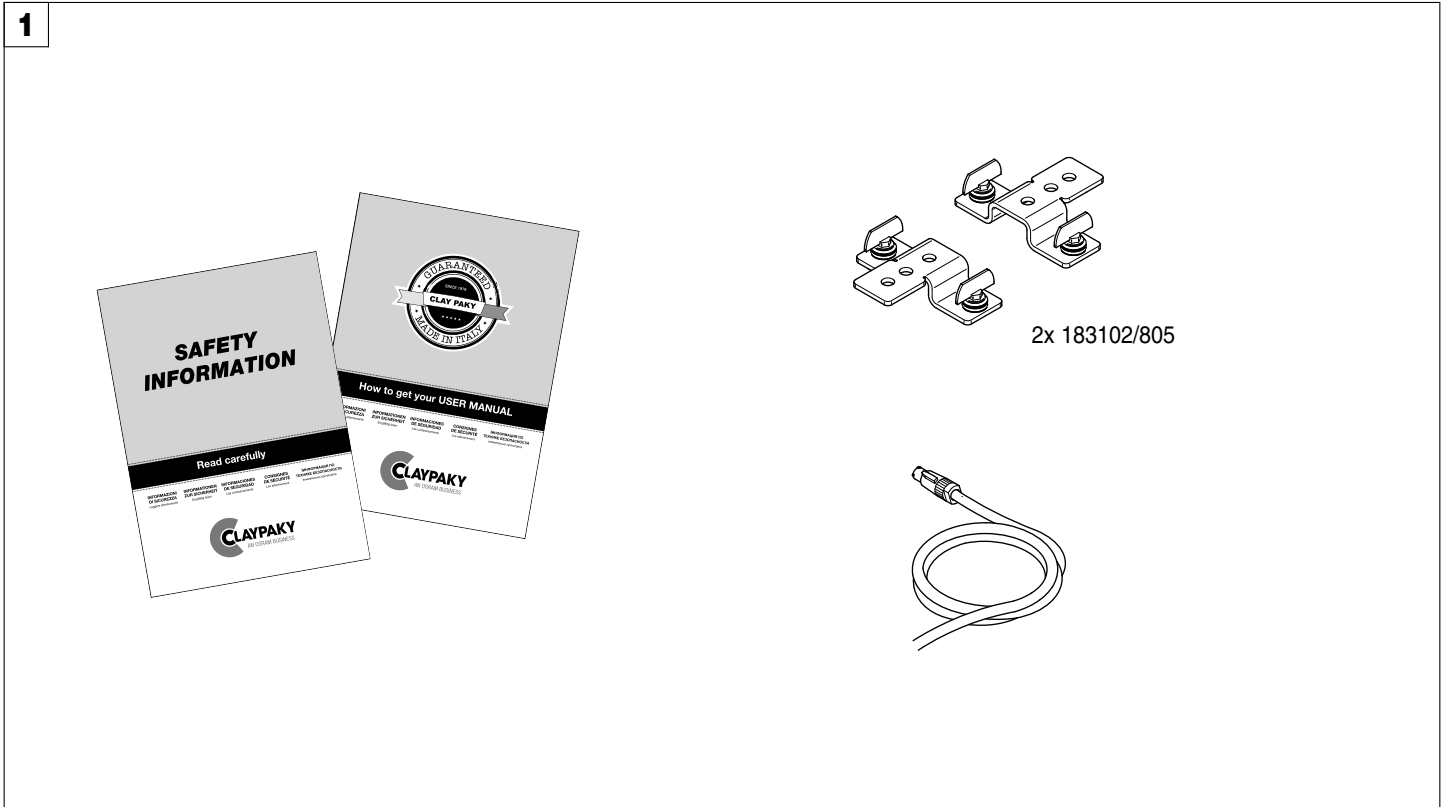
ИНСТРУКЦИЮ ПО ТЕХНИКЕ БЕЗОПАСНОСТИ

ВАЖНО: Claypaky рекомендует внимательно прочитать и сохранить инструкцию по технике безопасности данного изделия, которая всегда доступна в электронном формате по следующей ссылке:

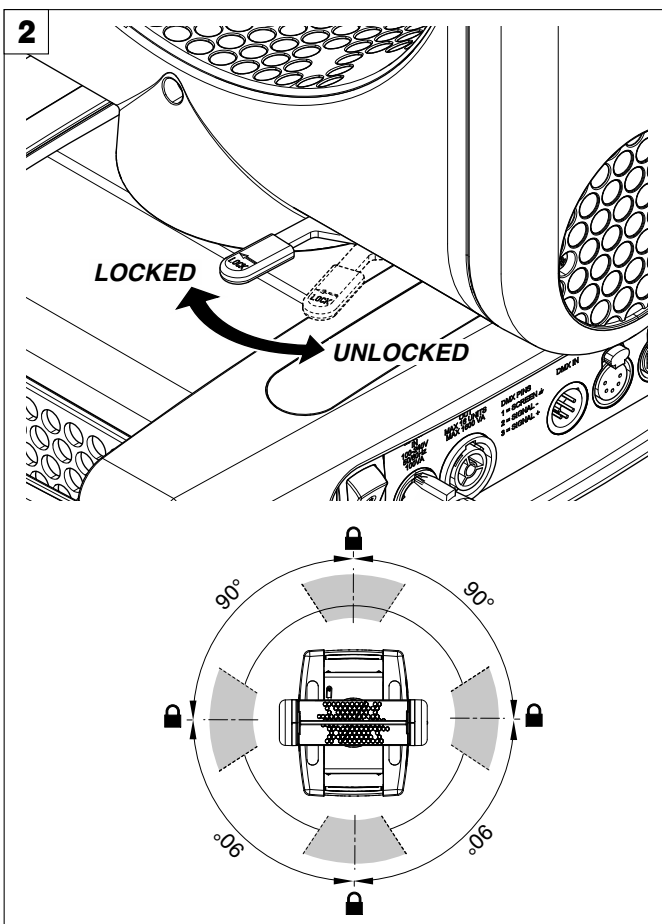
www.claypaky.com

Наименование: [FIS01W - Safety informatio ReflectXion]

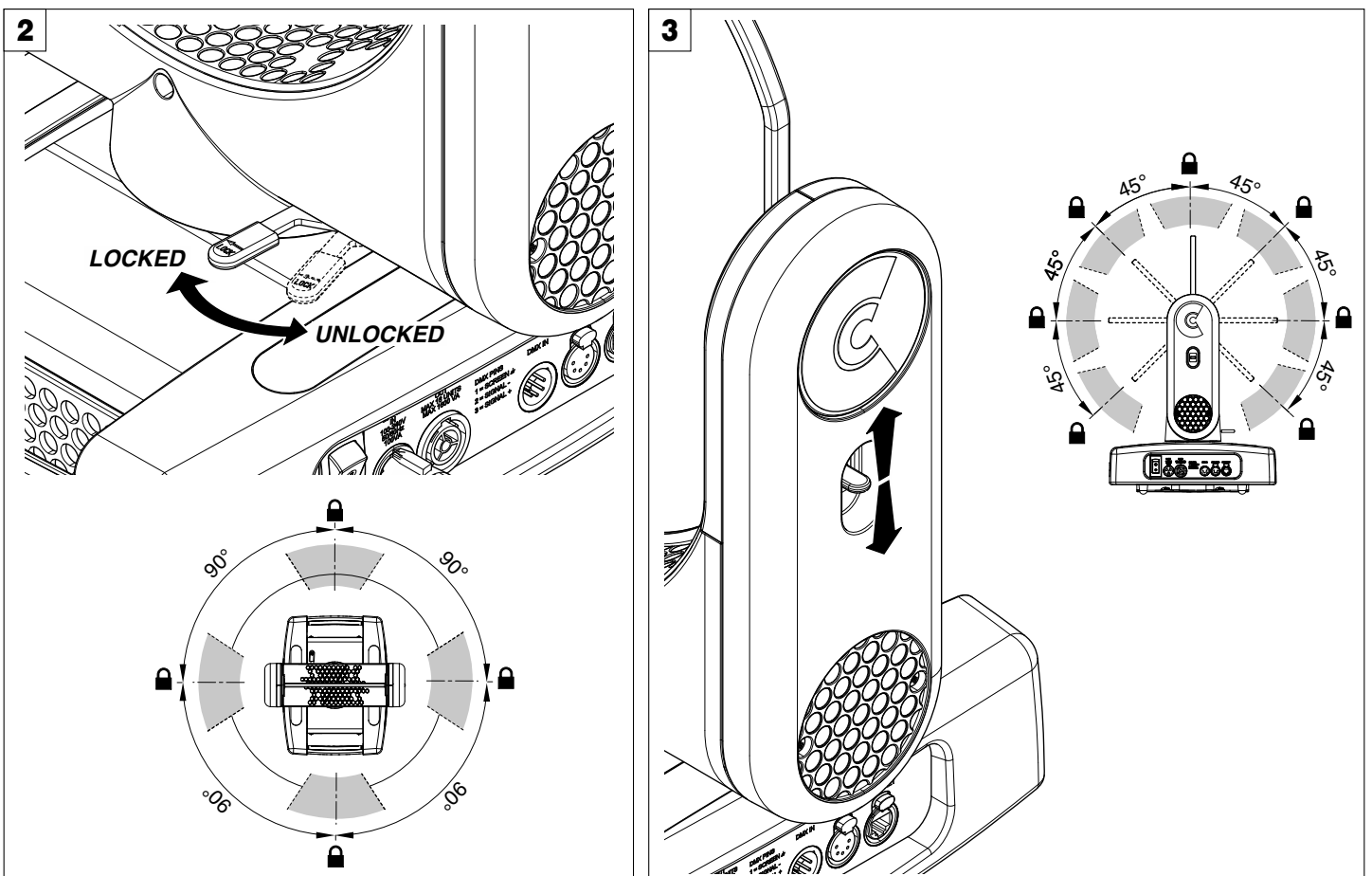
2. UNPACKING AND PREPARATION



Packing contents - Fig. 1



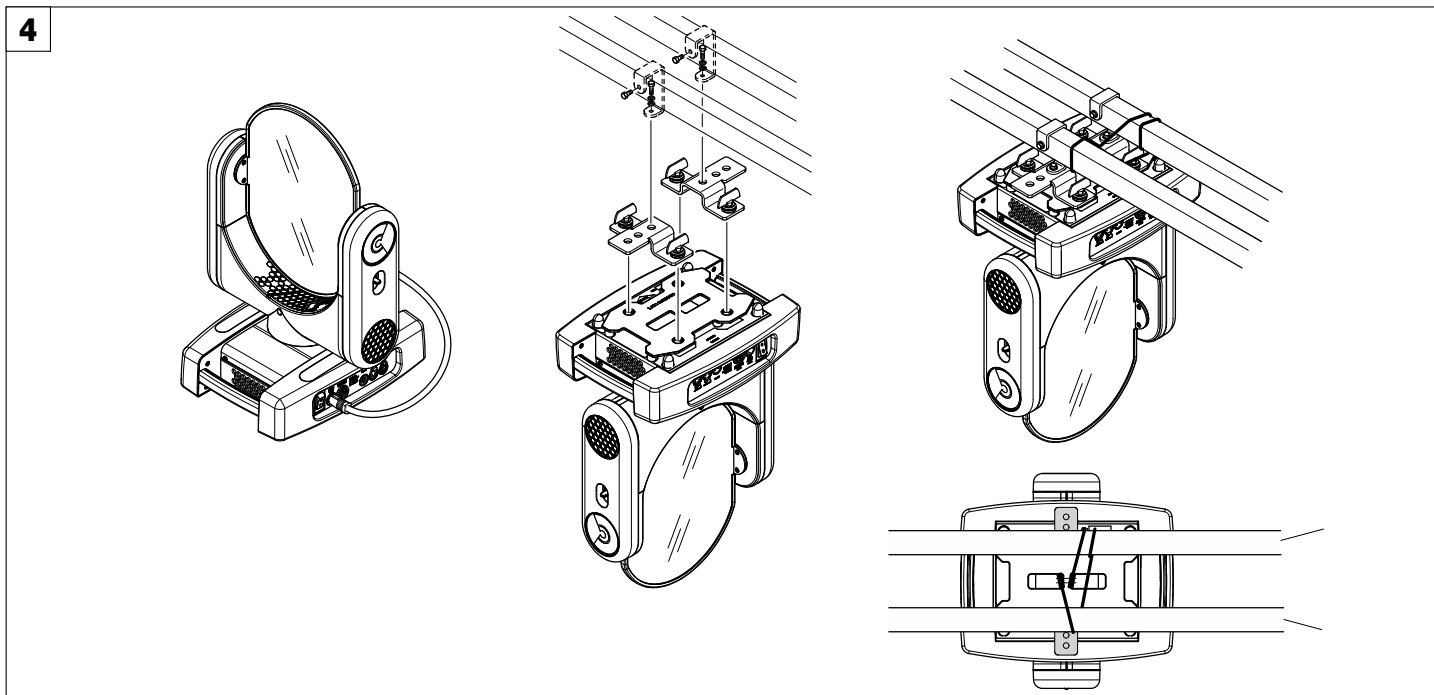
PAN Mechanism Lock and Release (every 90°) - Fig. 2



TILT Mechanism Lock and Release (every 45°) - Fig. 3

3. INSTALLATION AND START-UP

3.1 Installing the fixture

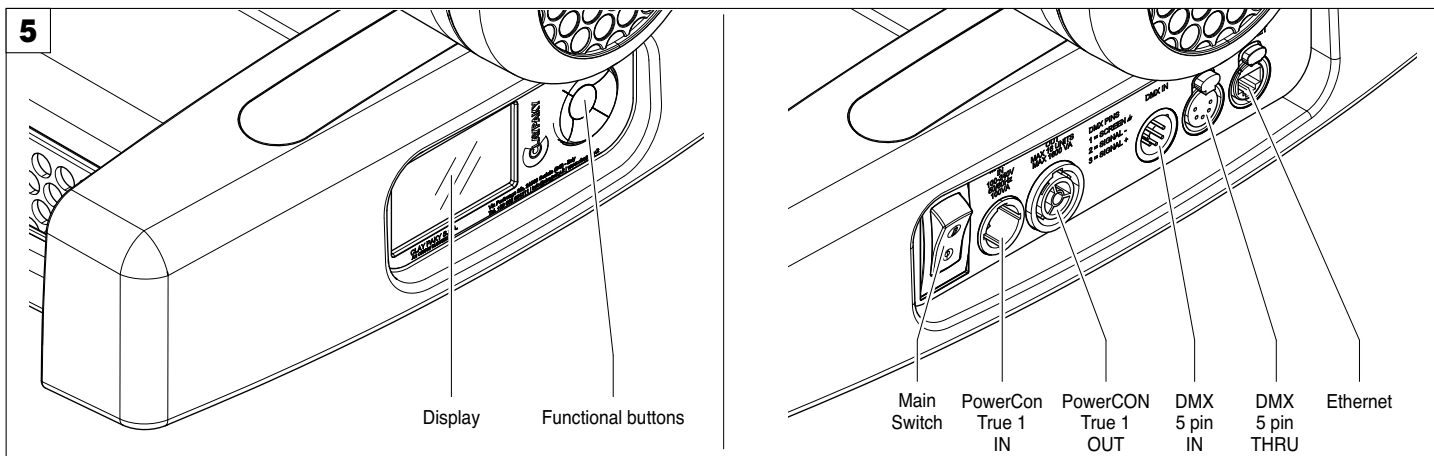


Installing the fixture - Fig. 4

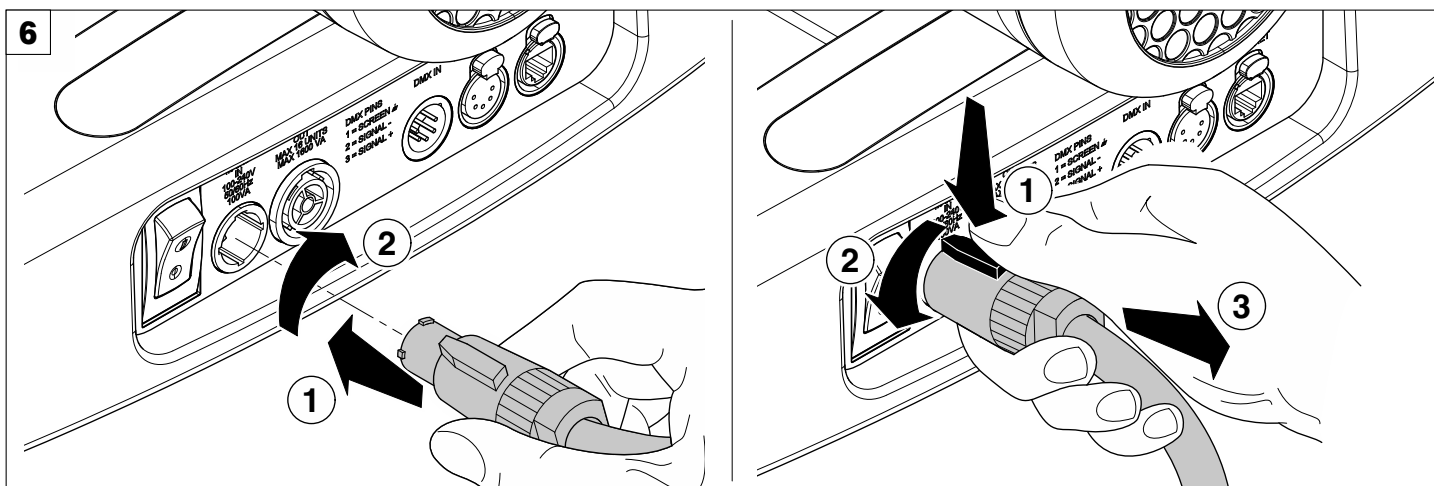
The fixture can be installed on the floor resting on special rubber feet, on a truss or on the ceiling or wall.

WARNING: with the exception of when the fixture is positioned on the floor, the safety cable must be fitted. (Cod. 105041/003 available on request). This must be securely fixed to the support structure of the fixture and then connected to the fixing point at the centre of the base.

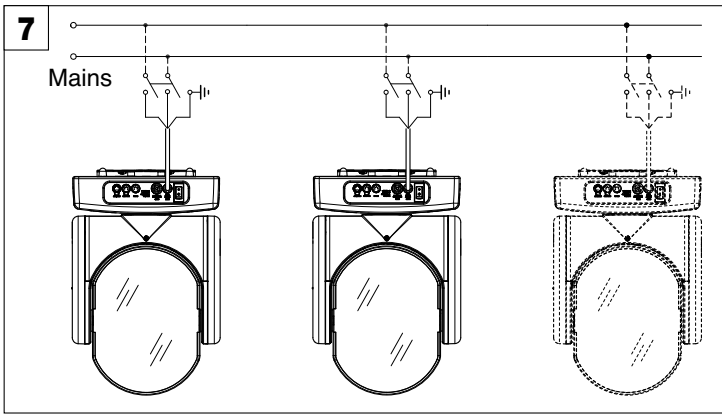
3.2 Connecting to mains supply



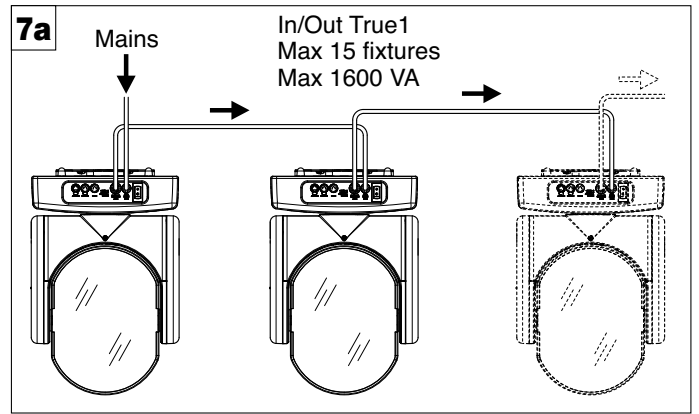
Control panel - Fig. 5



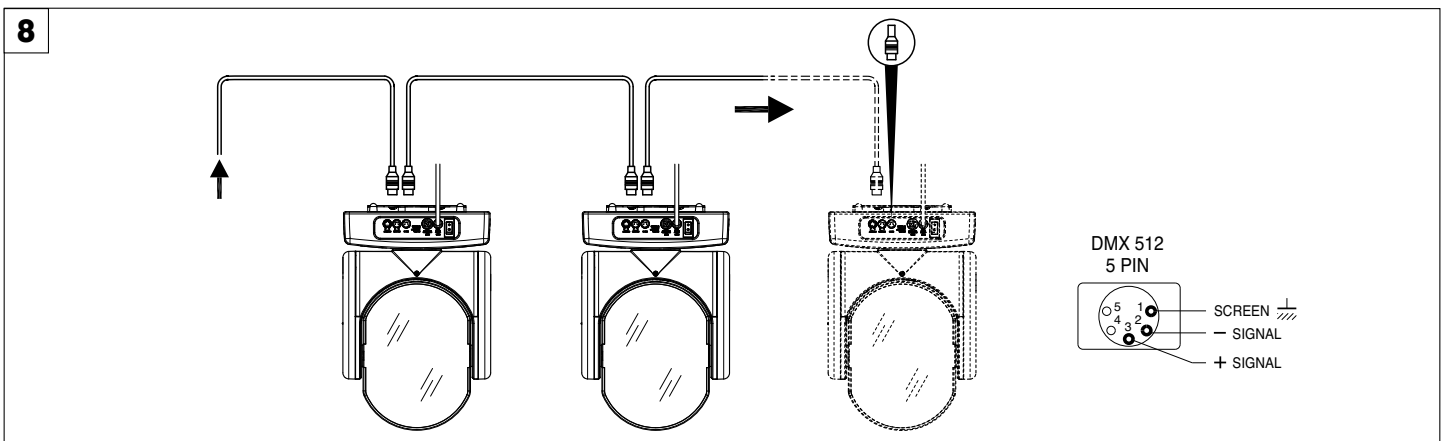
Connecting and disconnecting power cable - Fig. 6



Connecting to the mains supply - Fig. 7
Connecting fixture to fixture - Fig. 7a



3.3 Connecting the control signal line: DMX / Art-Net

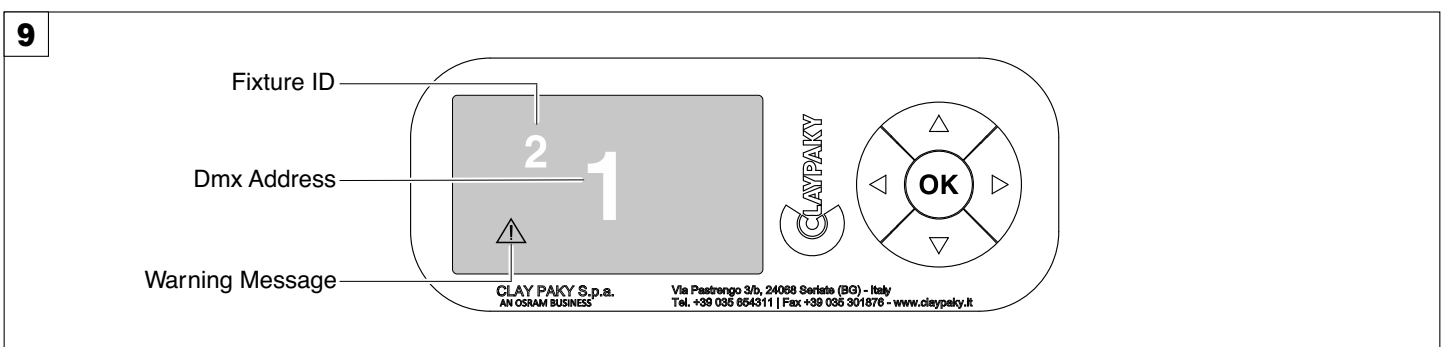


Connecting to the control signal line (DMX) - Fig. 8

Use a cable conforming to specifications EIA RS-485: 2-pole twisted, shielded, 120Ohm characteristic impedance, 22-24 AWG, low capacity. Do not use microphone cable or other cable with characteristics differing from those specified. The end connections must be made using XLR type 5-pin male/female connectors. A terminating plug must be inserted into the last fixture with a resistance of 120Ohm (minimum 1/4 W) between terminals 2 and 3.

IMPORTANT: The wires must not make contact with each other or with the metal casing of the connectors. The casing itself must be connected to the shield braid and to pin 1 of the connectors.

3.4 Switching on the fixture and basic SetUp



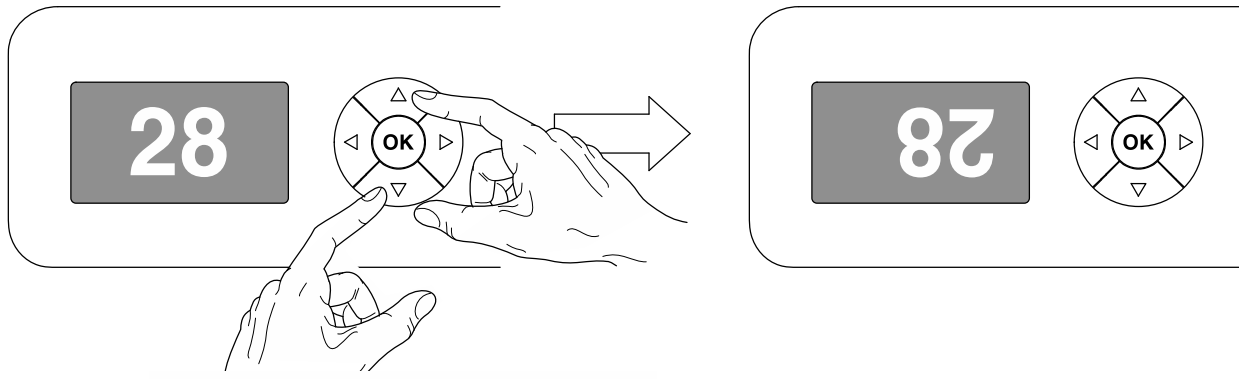
Switching on the fixture - Fig. 9

Press the switch. The fixture starts resetting the effects. At the same time, the following information scrolls on the display:

	Model REFLECTXION	Firmware Version X.X.X Date - Hour	xxx (Fixture ID) Dmx Address xxx	System errors E: W:
--	-----------------------------	--	-------------------------------------	---------------------------------------

On conclusion of resetting in case of absence of the dmx signal, Pan and Tilt move to the "Home" position (Pan 128 bit - Tilt 128 bit). The control panel (Fig. 8) has a display and buttons for the complete programming and management of the fixture menu. The display can be in one of two conditions: rest status and setting status. When it is in the rest status, the display shows the fixture's DMX address.

During menu setting status, after a wait time (about 30 seconds) without any key having been pressed, the display automatically returns to rest status. It should be noted that when this condition occurs, any possible value that has been modified but not yet confirmed with the **OK** key will be cancelled.



Reversal of the display - Fig. 10

To activate this function, press UP ▲ and DOWN ▼ keys simultaneously while the display is in the rest mode. This status will be memorised and maintained even for the next time it will be switched on. To return to the initial state, repeat the operation all over again.

Setting the projector starting address

On each projector, the starting address must be set for the control signal (addresses from 1 to 512).

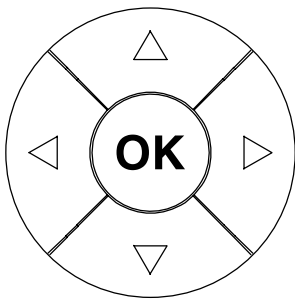
The address can also be set with the projector switched off.

Setting the projector Fixture ID

On each projector, the Fixture ID address must be set for an easy identification of the fixtures in an installation (ID from 1 to 255).

The Fixture ID address can be set with the projector switched off.

Functions of the buttons - Using the menu



Confirms the displayed value, or activates the displayed function, or enters the successive menu.



DOWN

Decreases the value displayed (with auto-repetitions) or passes to the next item in the menu.



UP

Increases the value displayed (with auto-repetitions) or passes to the previous item in a menu.



LEFT

Return to the top level



RIGHT

Commute from units, tens, hundreds, in the "Address", "Fixture ID" and "Calibration" menu.

USING THE MENU:

- 1) Press **OK** once – "Main Menu" appears on the display.
- 2) Use the UP ▲ and DOWN ▼ keys to select the menu to be used:
 - Setup (Setup Menu): To set the setting options.
 - Option (Option Menu): To set the operating options
 - Informations (Informations Menu): To read the counters, software version and other information.
 - Manual Control (Manual control Menu): To trigger the test and manual control functions.
 - Test (Test Menu): To check the proper functioning of effects
 - Advanced (Advanced Menu): Access to the "Advanced menu" is recommended for a trained technical personnel.
- 3) Press **OK** to display the first item in the selected menu.
- 4) Use the UP ▲ and DOWN ▼ keys to select the MENU items.

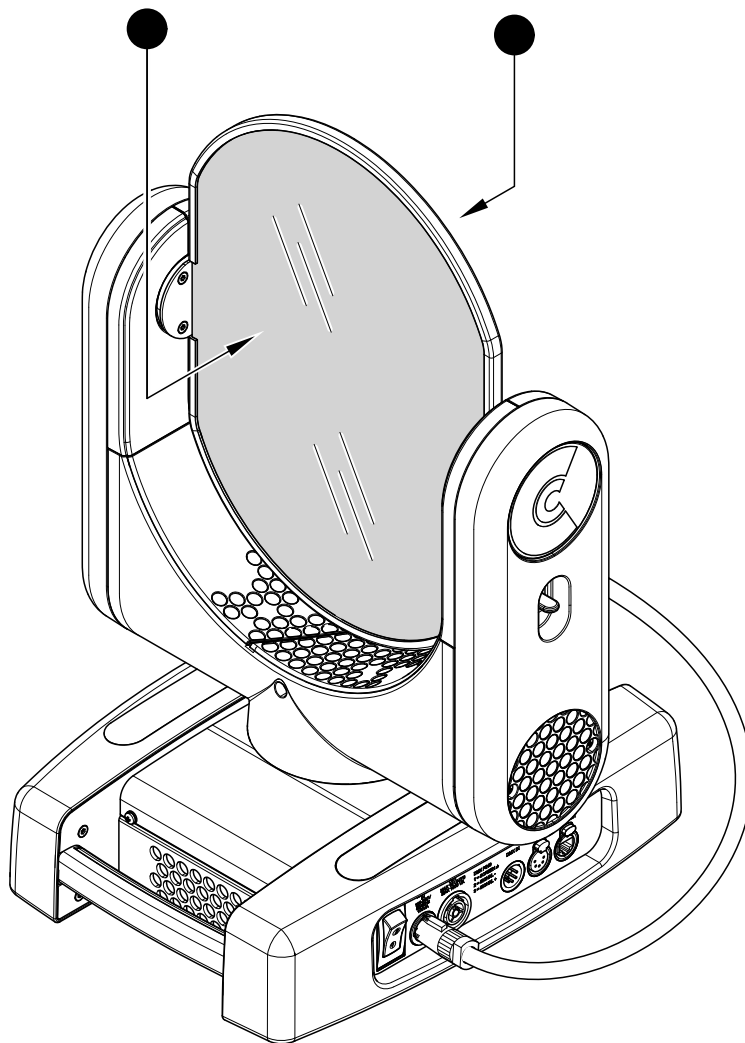
Setting addresses and options with the fixture disconnected

The projector's DMX address, as well as other possible operating options, can also be set when the appliance is disconnected from the electricity supply. All that is needed is to press **OK** to momentarily activate the display and thus access the settings. Once the required operations have been carried out, the display will switch off again after a wait time of 30 seconds.

4. MAINTENANCE

4.1 Periodical cleaning

11



Periodical cleaning - Fig. 11.

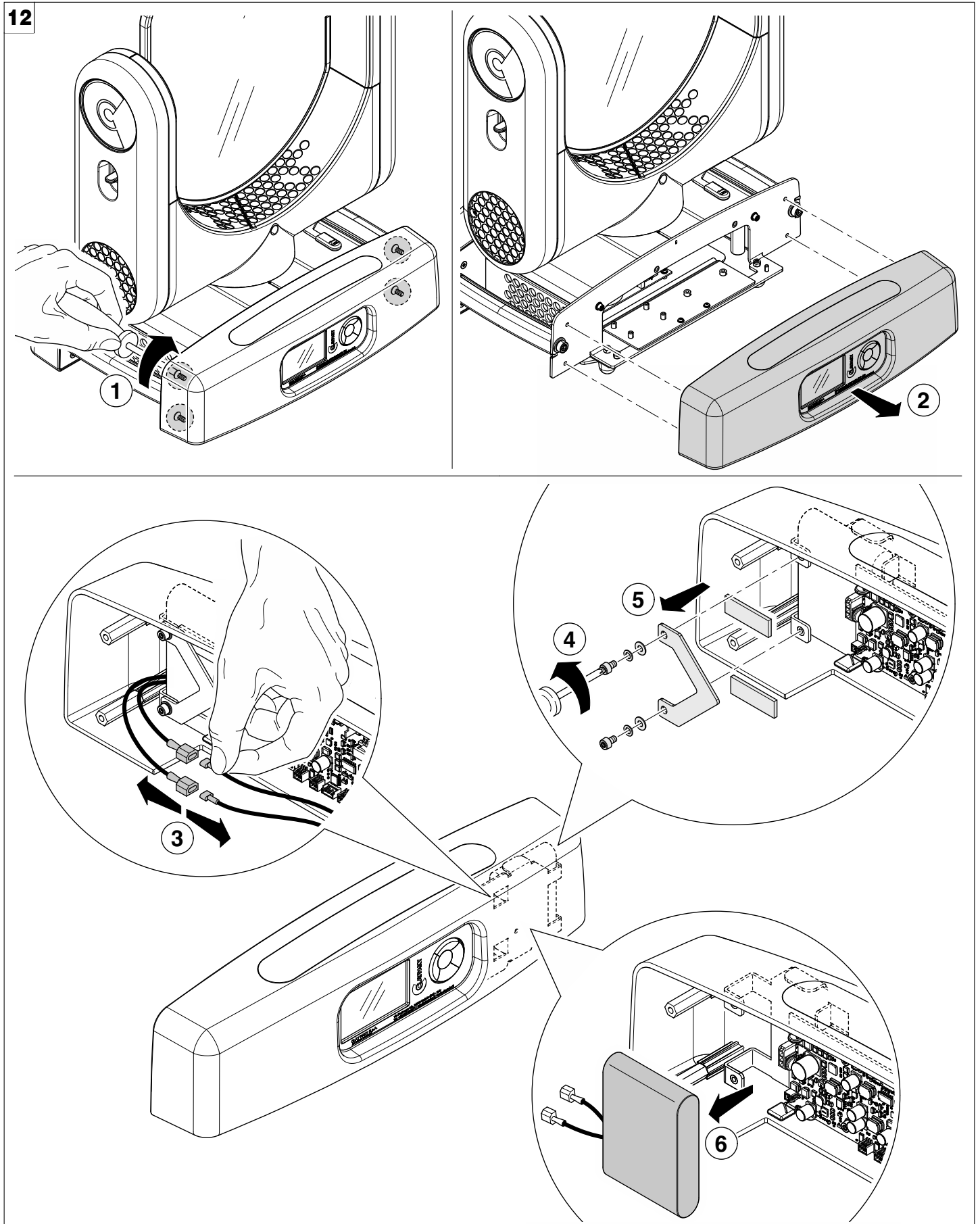
To ensure optimal operation and performance for a long time it is essential to periodically clean the parts subject to dust and grease deposits. The frequency with which the following operations are to be carried out depends on various factors, such as the amount of the effects and the quality of the working environment (air humidity, presence of dust, salinity, etc.).

Use a soft cloth dampened with any detergent liquid for cleaning the mirrors. It is recommended that the projector undergoes an annual service by a qualified technician for special maintenance involving at least the following operations:

- General cleaning of internal parts.
- Restoring lubrication of all parts subject to friction, using lubricants specifically supplied by Claypaky.
- General visual check of the internal components, cabling, mechanical parts, etc.
- Electrical and functional checks; eventual repairs.

4.2 Battery removal

Battery not replaceable. The following information are intended to remove the battery before disposal

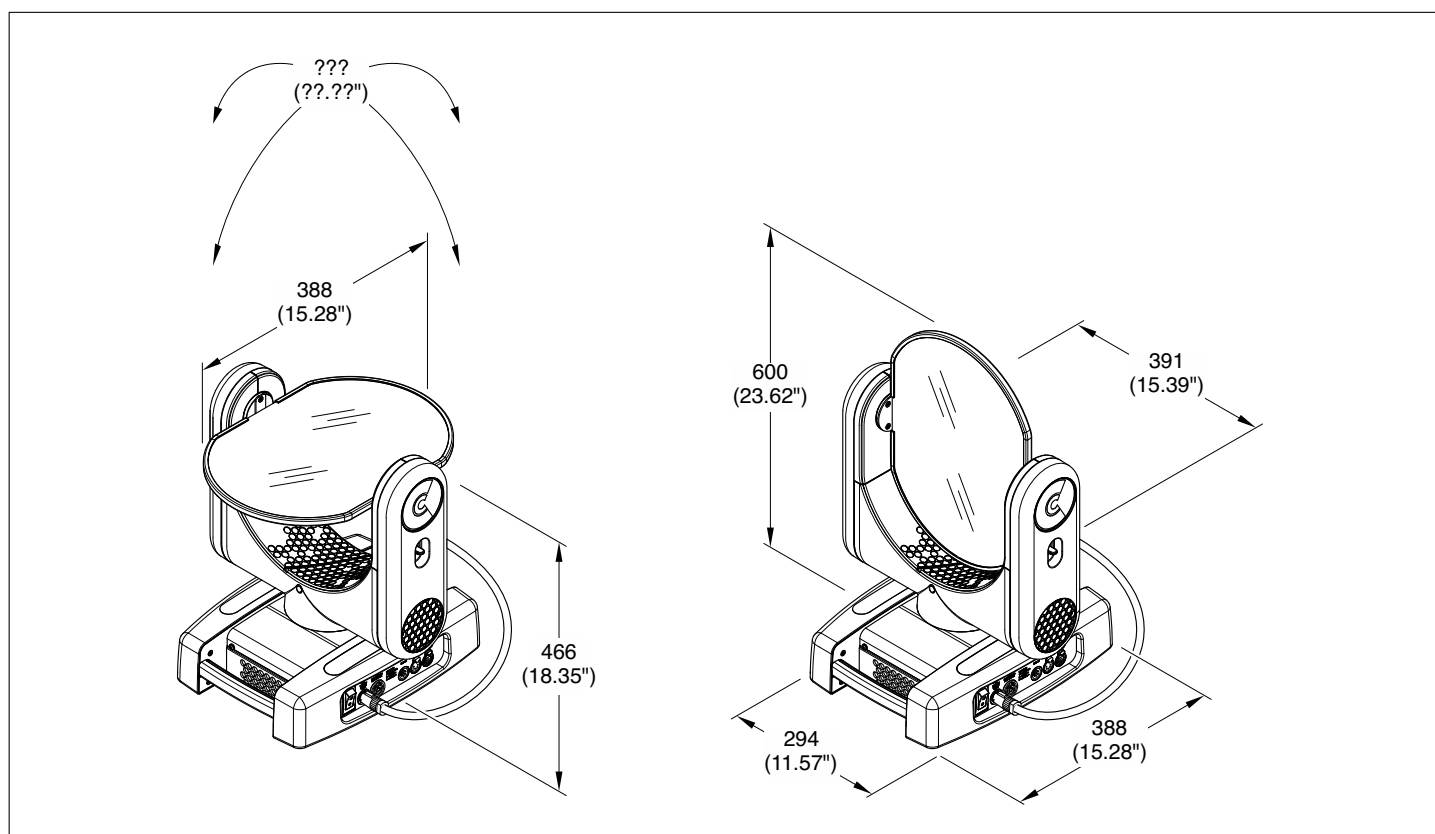


Battery removal - Fig. 12.



This product contains a rechargeable battery. To preserve the environment, please dispose the battery at the end of its life according to the regulation in force.

5. SPECIFICATIONS



POWER SUPPLIES

AC power input Neutrik PowerCON True1 100-240V, 50/60 Hz.

In/Out True1 (Max 15 fixtures)

INPUT POWER

100 VA @230Vac - 50Hz.

CHANNELS

6 control channels.

EFFECTS SECTION

- Pan & Tilt (continuous movement)

CONTROL AND PROGRAMMING

- Control signal USITT DMX 512.
- Display Graphic LCD backlit b/w Display.
- Display battery Long life self-charging buffer battery.
- Pan/Tilt Resolution 16 bit.
- Ethernet Input.

IP RATING

IP 20 - Protected against the entry of solid bodies larger than 12mm (0.47")

No protection against the entry of liquids.

MOTORS

2 stepper motors, microprocessor controlled.

INPUTS

DMX 512, 5 pin In & Out connector / Art-Net.

ELECTRONICS

- Long life self-charging battery.
- Function reset via on-board menu.
- Function reset from the lighting desk.
- "AUTOTEST" function from menu.
- Electronic monitoring with status error reporting and logging.
- DMX level monitoring on all channels.
- Internal data transmission diagnostics.
- Firmware upgrade with no power (CPU only).
- Firmware upload from another fixture (CPU only).
- Firmware Upgrade via Web Server.
- Protocols/Functions: RDM, Web Server, ArtNet.
- Extremely reliable communication RS485 bus.

BODY

- Aluminum and steel structure with plastic covers.
- Two side handles for transportation.
- Device locking PAN and TILT mechanisms for transportation and maintenance.
- Optional safety chain.

MOVING BODY

- PAN range 540°.
- TILT range 360°.

WORKING POSITION

- Working in any position
- Optional safety chain.
- Hanging system: with fast-lock omega clamps (1/4 turn) on the base.

SAFETY SPECIFICATIONS

- Max ambient temperature 40°C (104°F).
- Safety devices circuit breaker with thermal protection.

CE MARKING

In conformity with the European Directives:

- 2014/35/EU - Safety of electrical equipment supplied at low voltage (LVD).
- 2014/30/EU - Electromagnetic Compatibility (EMC).
- 2011/65/EU - Restriction of the use of certain hazardous substances (RoHS).
- 2009/125/EC - EcoDesign requirements for Energy-related Products (ErP).

ETL

This product is available, on demand, with cETLus Listed Mark.

PACKAGING

Carton box + Polystyrene / Carton box + Foam shell / Flight case + Foam shell (2 position)

WEIGHT

13.5 Kg (29.76 lbs).

6. CAUSE AND SOLUTION OF PROBLEMS

THE FIXTURE WILL NOT SWITCH ON			<i>PROBLEMS</i>
ELECTRONICS NON-OPERATIONAL			
DEFECTIVE PROJECTION			
REDUCED LUMINOSITY			
		<i>POSSIBLE CAUSES</i>	<i>CHECKS AND REMEDIES</i>
●		No mains supply.	Check the power supply voltage.
	●	Signal transmission cable faulty or disconnected.	Replace the cables.
	●	Incorrect addressing.	Check addresses (see instructions).
	●	Fault in the electronic circuits.	Call an authorised technician.
	●	Mirror broken	Call an authorised technician.
	●	Dust or grease deposited.	Clean (see instructions).

