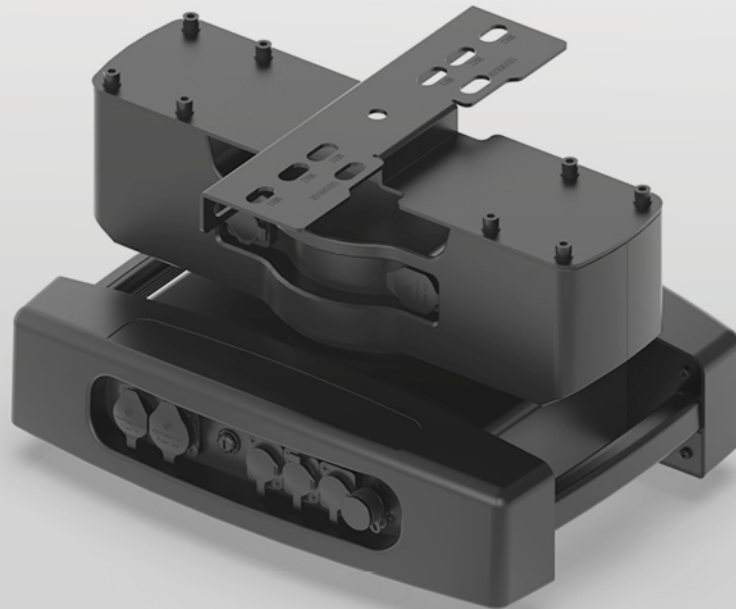


# PANIFY

## TURN STATIC FIXTURES FOR DYNAMIC EFFECTS

- **Moving body:**  
Endless PAN rotation at various speed (up to 50 RPM)
- **Aqua IP66 series:**  
IP66 protection rating
- **Wireless:**  
W-DMX optional wireless control version
- **CloudIO Ready:**  
Fully compatible with CloudIO



**AQUA**  
IP66 RATING

**CloudIO**  
READY!

Claypaky focus of developing innovative and useful solutions for lighting take a bold new step with the development of the Claypaky PANIFY. The PANIFY allows you to take a static, non-moving fixture and turn it for dynamic effects.

The PANIFY is designed to accept not only Claypaky products such as the TAMBORA BATTEN or MINI-B PARLED AQUA, but most static lights

from other brands that do not have the ability to pan. The PANIFY offers **endless PAN operation** at various speeds and can accept fixtures up to 30 kilograms (66 pounds). When the load is 20 kilograms (44 pounds) or less, the unit can spin **up to 50 RPM** and when the load is greater than 20 kilograms, the unit can rotate the heavier loads up to 22 RPM to provide unparalleled effects.

The PANIFY has two power inputs – one input for the unit itself and the other for the mounted fixture. Because of the innovative design of the unit's crossbeam, the power is routed from the enclosure to the crossbeam where the mounted fixture connects for its power and DMX; so, there are no concerns of tangled power or DMX cables when using the endless pan feature. The PANIFY only draws about 150 Watts of power and only requires a few channels of DMX to operate. The unit is already **wireless DMX ready**, so you do not have to run additional DMX cabling.

The PANIFY is not limited to fixtures and could be used to turn scenery, signs, screens and more. The unit is IP66 rated and can be used and hung in any position. The PANIFY expands and extends the usefulness of static fixtures or whatever you need to turn for your productions. Its flexibility and versatility allow the PANIFY to be anything you need it to be.



Panify + Tambora Batten

# PANIFY

## MAIN FEATURES

---

- Advanced tool turning fixtures, scenery, signs, screens into dynamic effects
- Endless PAN rotation at various speed (up to 50 RPM)
- Maximum load to be applied: 30kg (66 lbs)
- Any hanging positions
- DMX and WDMX (optional) controllable
- IP66 protection rating
- CloudIO Ready: fully compatible with CloudIO
- Weight: 13.8 kg (30.4 lbs)
- Size (LxWxH): 390 x 295 x 253 mm (15.3 x 11.6 x 10 in)

