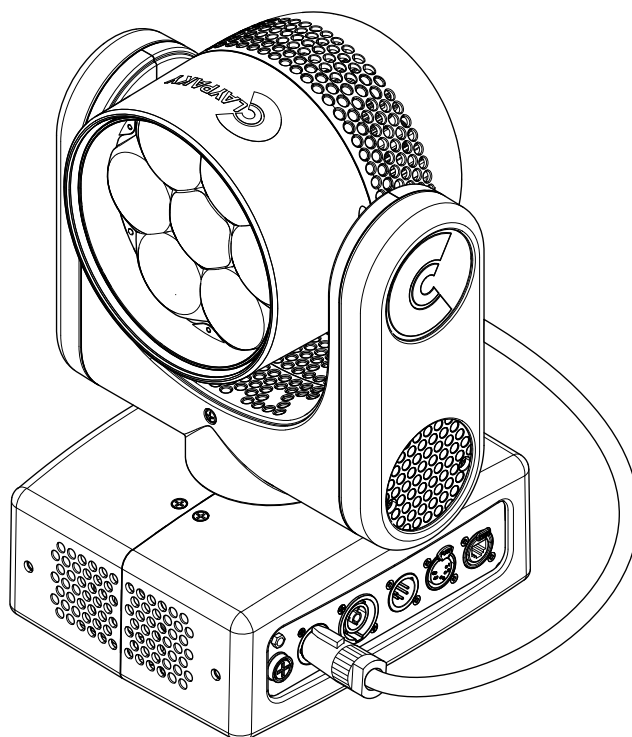


## INSTRUCTION MANUAL



### INDEX

Page	Contents
2	<b>1. Safety information</b>
3	<b>2. Unpacking and preparation</b>
3	<b>3. Installation and start-up</b>
3	3.1 Installing the fixture
4	3.2 Connecting to mains supply
5	3.3 Connecting the control signal line: DMX / Art-Net
5	3.4 Switching on the fixture and basic SetUp
7	<b>4. Maintenance</b>
7	4.1 Maintenance and Caution
8	4.2 Battery removal
9	4.3 Opening the covers
10	<b>5. Accessories</b>
11	<b>6. Specifications</b>
12	<b>7. Cause and solution of problems</b>

*Congratulations on choosing a Claypaky product!*

*We thank you for your custom.*

*Please note that this product, as all the others in the rich Claypaky range, has been designed and made with total quality to ensure excellent performance and best meet your expectations and requirements.*

# 1. SAFETY INFORMATION

**EN**

## **SAFETY INFORMATION**

IMPORTANT: Claypaky recommends you carefully read and keep the safety information on this product, also available in digital format at the following link:

**[www.claypaky.com](http://www.claypaky.com)**

Ref: [FIS01M - Safety Information Mini-B]

**IT**

## **INFORMAZIONI DI SICUREZZA**

IMPORTANTE: Claypaky raccomanda di leggere accuratamente e conservare le informazioni di sicurezza relative a questo prodotto, sempre reperibili in versione digitale al seguente link:

**[www.claypaky.com](http://www.claypaky.com)**

Rif: [FIS01M - Safety Information Mini-B]

**DE**

## **INFORMATIONEN ZUR SICHERHEIT**

WICHTIG: Claypaky empfiehlt, die Sicherheitsinformationen bezüglich dieses Produkts genau zu lesen und aufzubewahren. Sie sind in Digitalversion immer unter folgendem Link auffindbar:

**[www.claypaky.com](http://www.claypaky.com)**

Ref: [FIS01M - Safety Information Mini-B]

**ES**

## **INFORMACIONES DE SEGURIDAD**

IMPORTANTE: Claypaky recomienda leer detenidamente y conservar la información de seguridad relativa a este producto. Además, está disponible una versión digital de la misma en el siguiente enlace:

**[www.claypaky.com](http://www.claypaky.com)**

Ref: [FIS01M - Safety Information Mini-B]

**FR**

## **CONSIGNES DE SÉCURITÉ**

IMPORTANT: Claypaky recommande de lire attentivement et de conserver les informations de sécurité relatives à ce produit, disponibles en version digitale au lien suivant:

**[www.claypaky.com](http://www.claypaky.com)**

Réf. : [FIS01M - Safety Information Mini-B]

**RU**

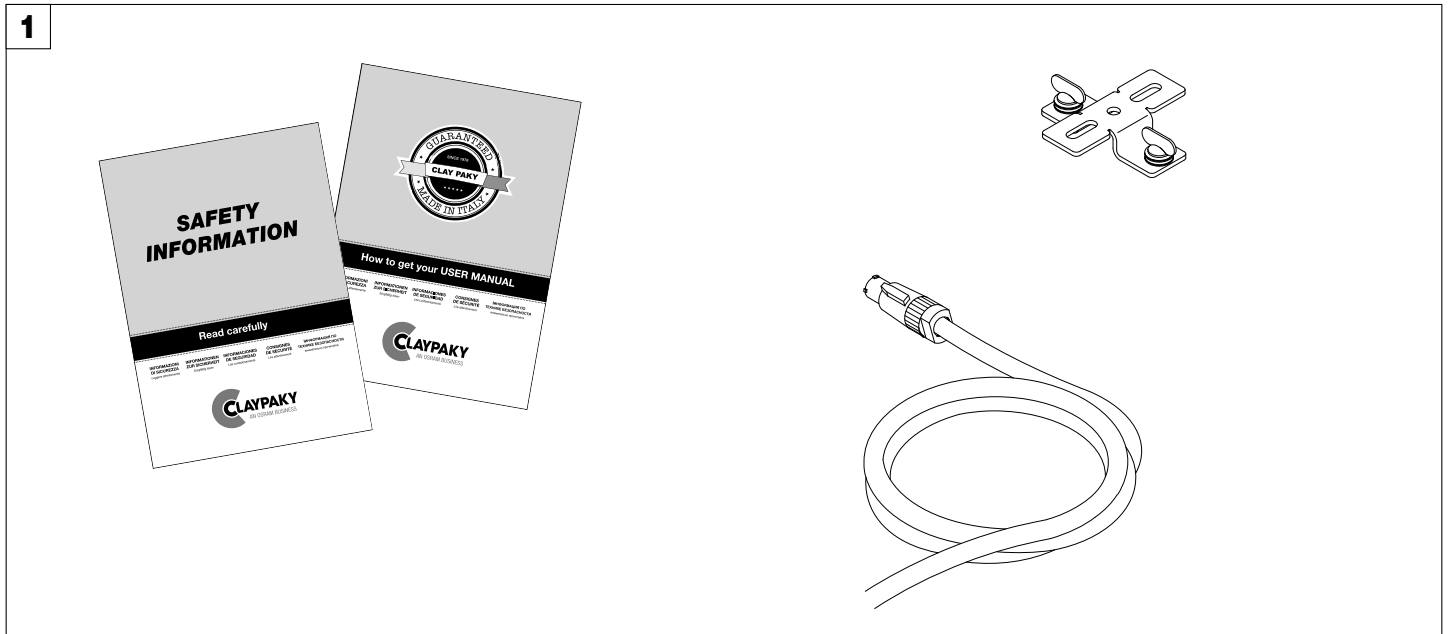
## **ИНСТРУКЦИЮ ПО ТЕХНИКЕ БЕЗОПАСНОСТИ**

ВАЖНО: Claypaky рекомендует внимательно прочитать и сохранить инструкцию по технике безопасности данного изделия, которая всегда доступна в электронном формате по следующей ссылке:

**[www.claypaky.com](http://www.claypaky.com)**

Наименование: [FIS01M - Safety Information Mini-B]

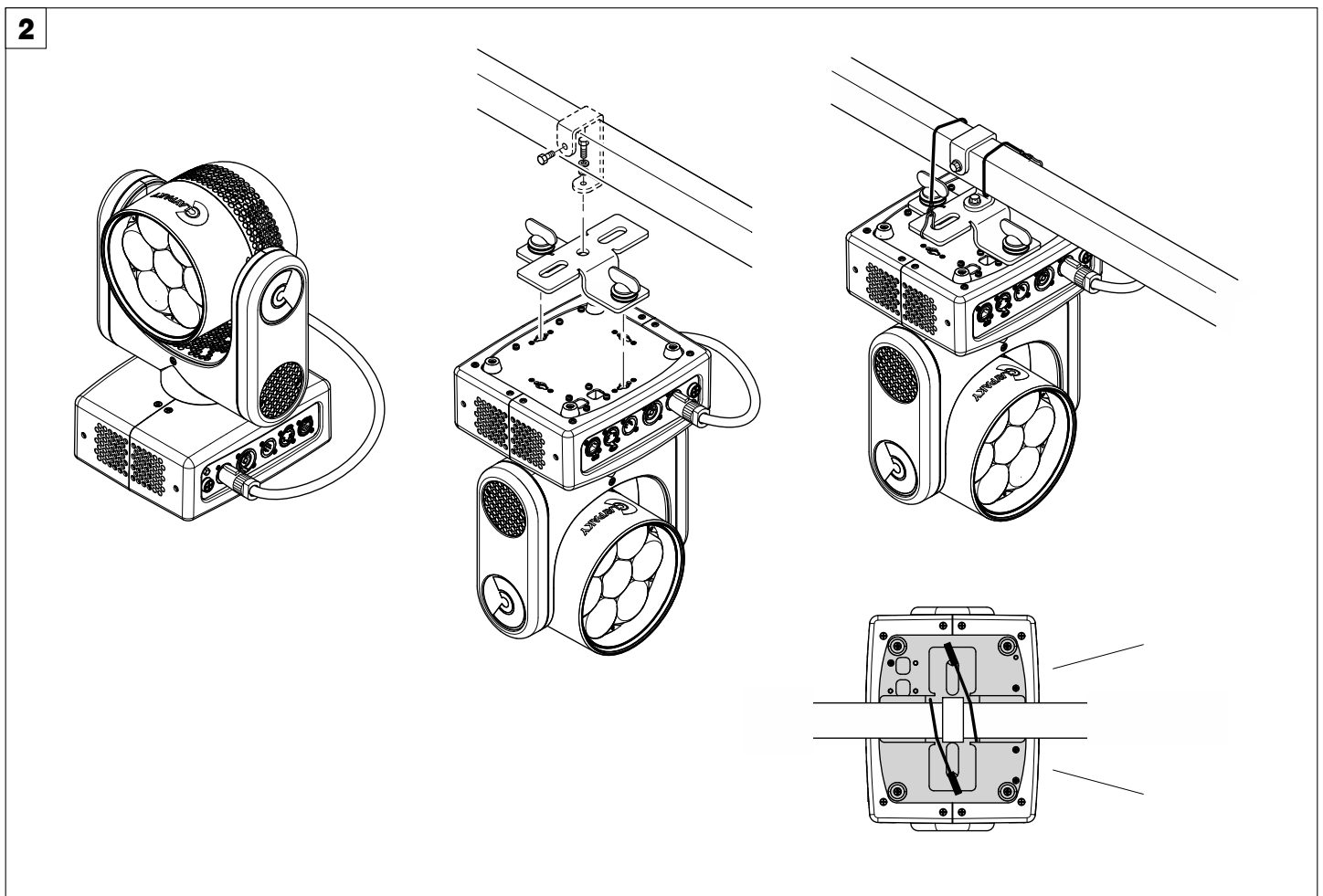
## 2. UNPACKING AND PREPARATION



Packing contents - Fig. 1

## 3. INSTALLATION AND START-UP

### 3.1 Installing the fixture

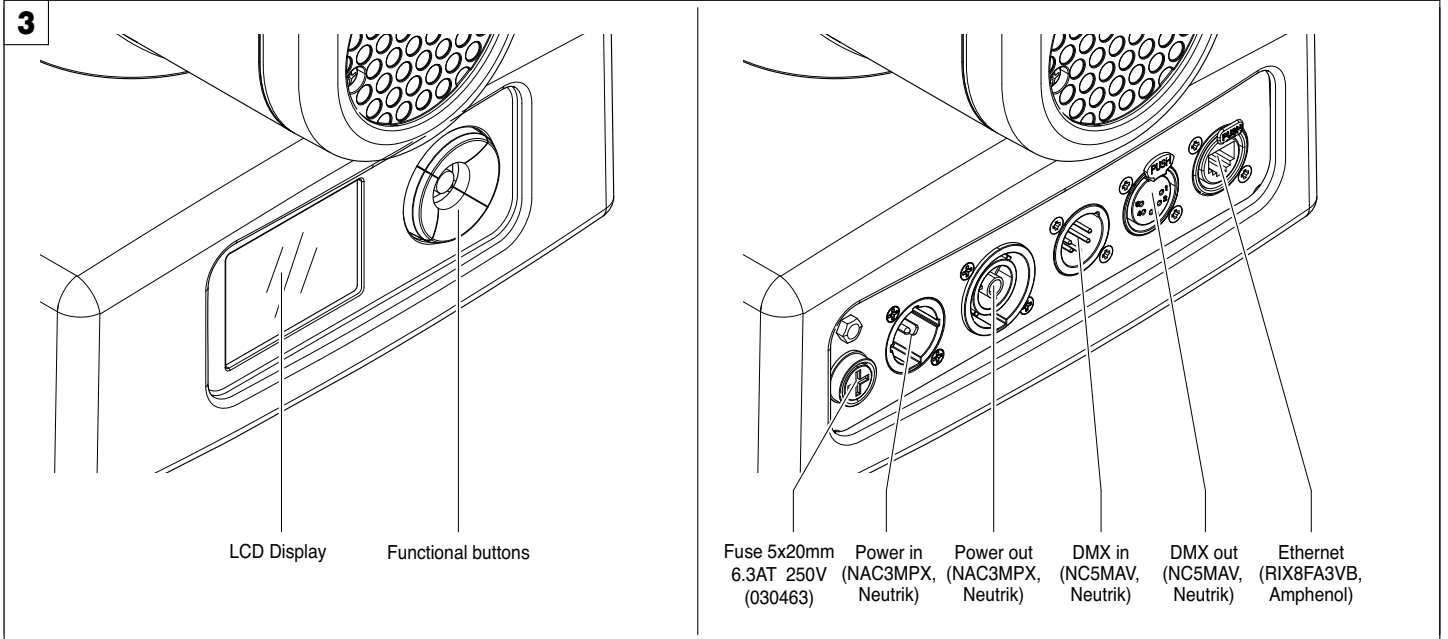


Installing the projector - Fig. 2

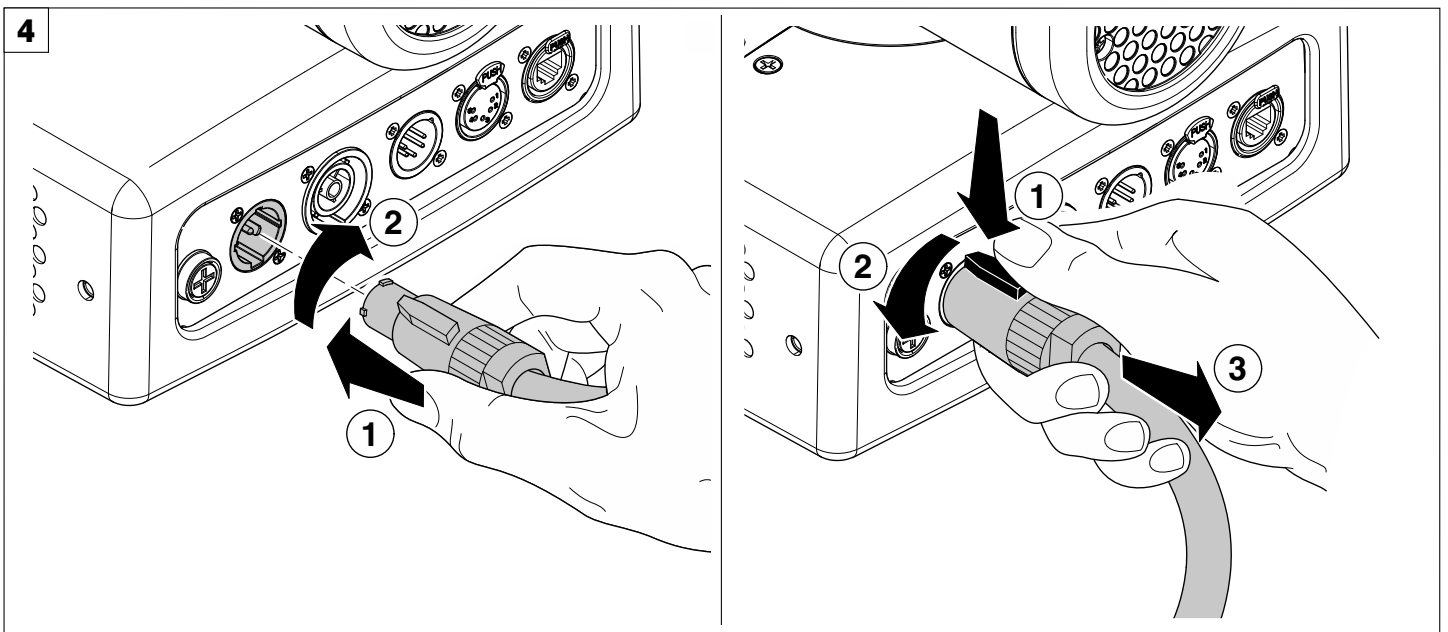
The projector can be installed on the floor resting on special rubber feet, on a truss or on the ceiling or wall.

**WARNING:** with the exception of when the projector is positioned on the floor, the safety cable must be fitted. (Cod. 105041/001 available on request). This must be securely fixed to the support structure of the projector and then connected to the fixing point at the centre of the base.

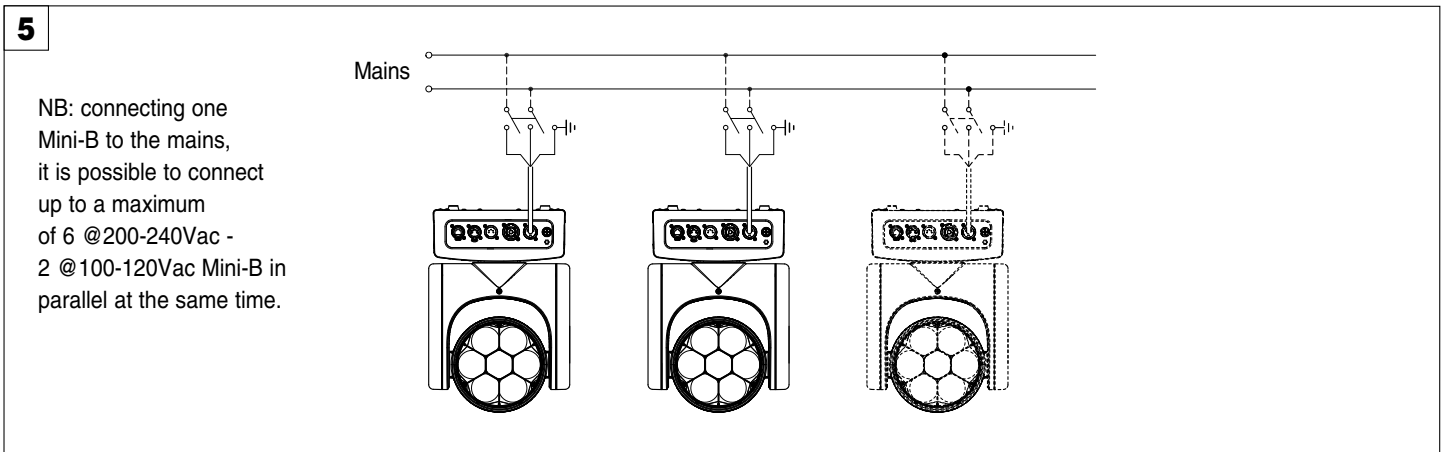
### 3.2 Connecting to mains supply



Control Panel - Fig. 3

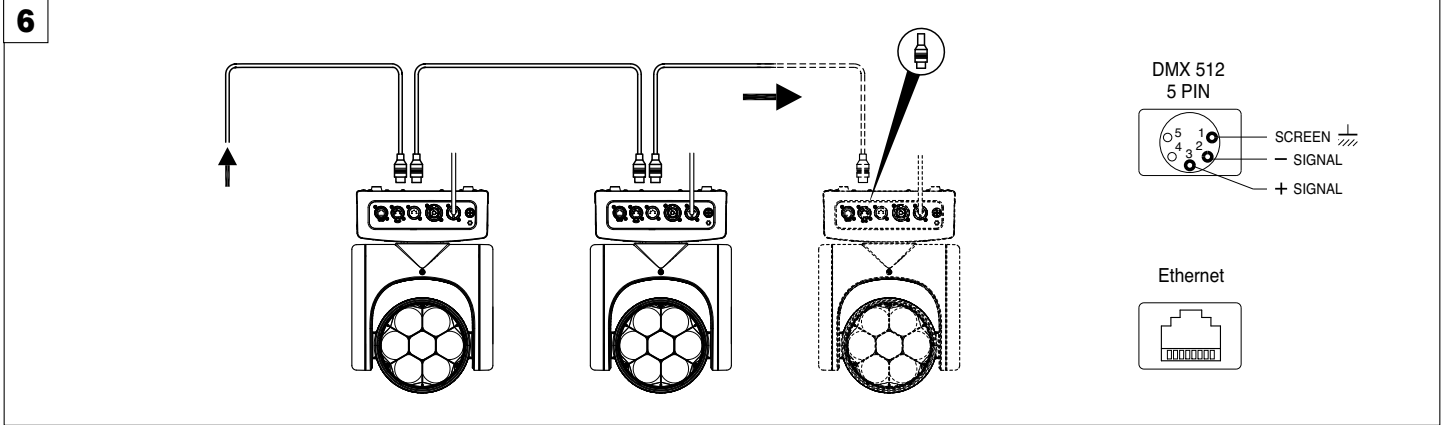


Connecting and disconnecting power cable - Fig. 4



Connecting to the mains supply - Fig. 5

### 3.3 Connecting the control signal line: DMX / Art-Net

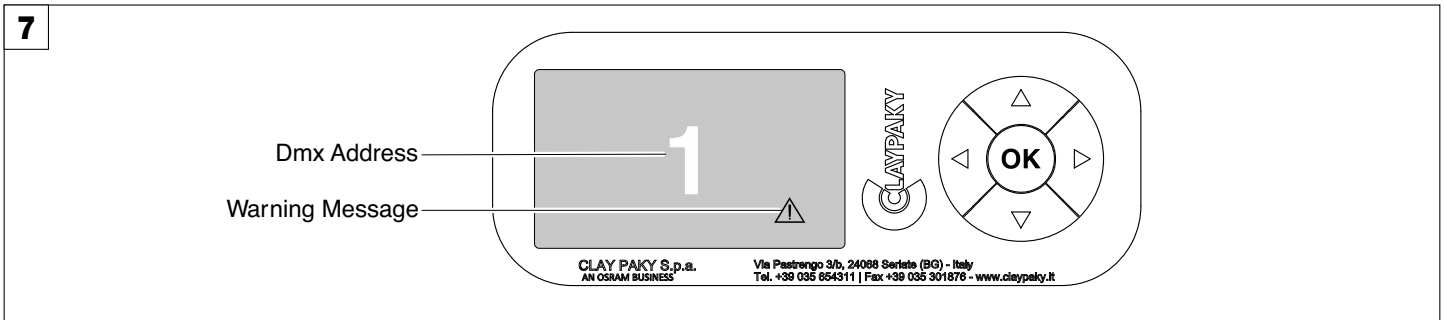


**Connecting to the control signal line (DMX) - Fig. 6**

Use a cable conforming to specifications EIA RS-485: 2-pole twisted, shielded, 120Ohm characteristic impedance, 22-24 AWG, low capacity. Do not use microphone cable or other cable with characteristics differing from those specified. The end connections must be made using XLR type 5-pin male/female connectors. A terminating plug must be inserted into the last projector with a resistance of 120Ohm (minimum 1/4 W) between terminals 2 and 3.

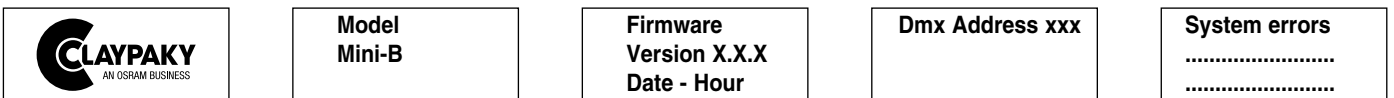
**IMPORTANT:** The wires must not make contact with each other or with the metal casing of the connectors. The casing itself must be connected to the shield braid and to pin 1 of the connectors.

### 3.4 Switching on the fixture and basic SetUp



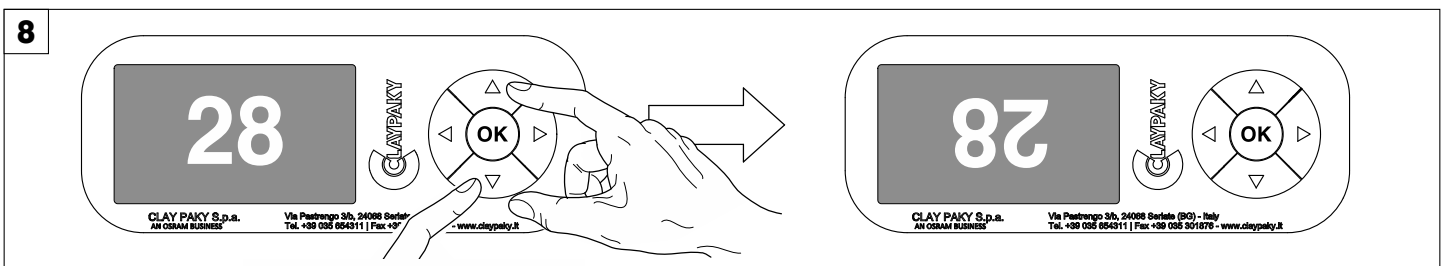
**Switching on the projector - Fig. 7**

Press the switch. The projector starts resetting the effects. At the same time, the following information scrolls on the display:



On conclusion of resetting in case of absence of the dmx signal, Pan and Tilt move to the "Home" position (Pan 128 bit - Tilt 128 bit). The control panel (Fig. 8) has a display and buttons for the complete programming and management of the projector menu. The display can be in one of two conditions: rest status and setting status. When it is in the rest status, the display shows the projector's DMX address.

During menu setting status, after a wait time (about 30 seconds) without any key having been pressed, the display automatically returns to rest status. It should be noted that when this condition occurs, any possible value that has been modified but not yet confirmed with the **OK** key will be cancelled.



**Reversal of the display - Fig. 8**

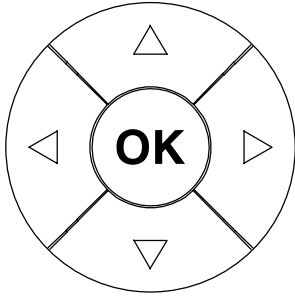
To activate this function, press UP and DOWN keys simultaneously while the display is in the rest mode. This status will be memorised and maintained even for the next time it will be switched on. To return to the initial state, repeat the operation all over again.

#### Setting the projector starting address

On each projector, the starting address must be set for the control signal (addresses from 1 to 512).

The address can also be set with the projector switched off.

## Functions of the buttons - Using the menu



Confirms the displayed value, or activates the displayed function, or enters the successive menu.



DOWN

Decreases the value displayed (with auto-repetitions) or passes to the next item in the menu.



UP

Increases the value displayed (with auto-repetitions) or passes to the previous item in a menu.



LEFT

Return to the top level



RIGHT

Commute from units, tens, hundreds, in the "Address" and "Calibration" menu.

### USING THE MENU:

- 1) Press LEFT (←) once – "Main Menu" appears on the display.
- 2) Use the UP (↑) and DOWN (↓) keys to select the menu to be used:
  - Setup (Setup Menu): To set the setting options.
  - Option (Option Menu): To set the operating options
  - Informations (Informations Menu): To read the counters, software version and other information.
  - Manual Control (Manual control Menu): To trigger the test and manual control functions.
  - Test (Test Menu): To check the proper functioning of effects
  - Advanced (Advanced Menu): Access to the "Advanced menu" is recommended for a trained technical personnel.
- 3) Press OK (Ⓞ) to display the first item in the selected menu.
- 4) Use the UP (↑) and DOWN (↓) keys to select the MENU items.

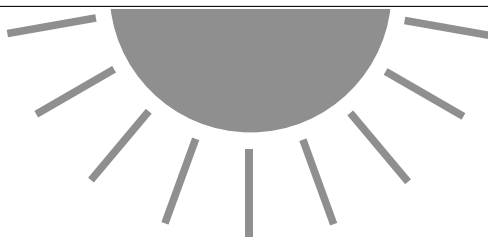
### Setting addresses and options with the projector disconnected

The projector's DMX address, as well as other possible operating options, can also be set when the appliance is disconnected from the electricity supply. All that is needed is to press RIGHT (→) to momentarily activate the display and thus access the settings. Once the required operations have been carried out, the display will switch off again after a wait time of 30 seconds.

## 4. MAINTENANCE

### 4.1 Maintenance and Caution

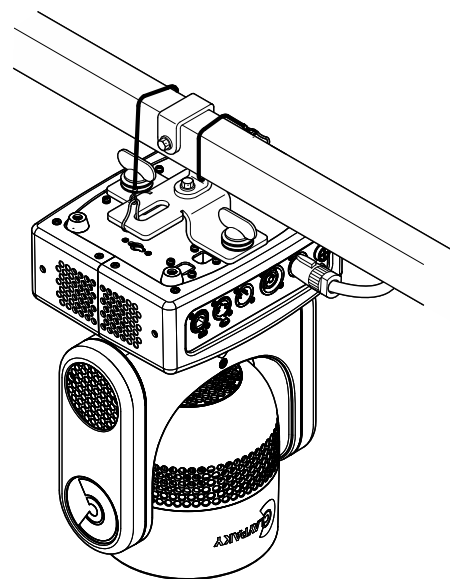
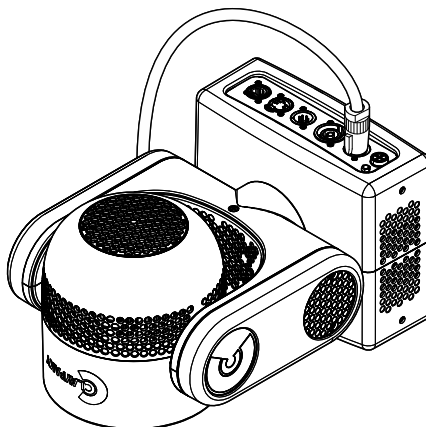
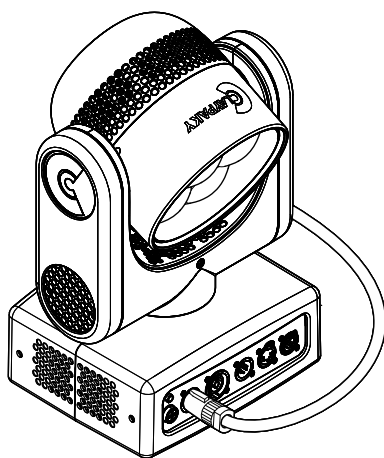
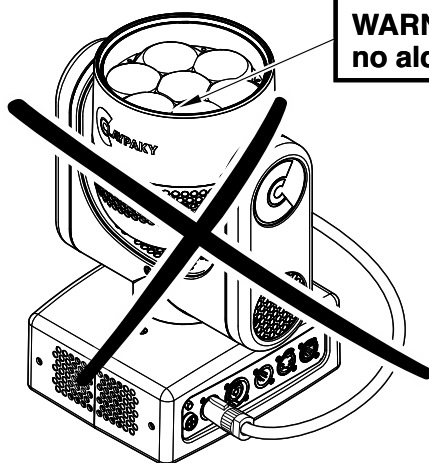
9



#### Light collimation system

This product contains internal light collimation system. Avoid intense light from any angle.

**WARNING:**  
no alcohol



#### CAUTION:

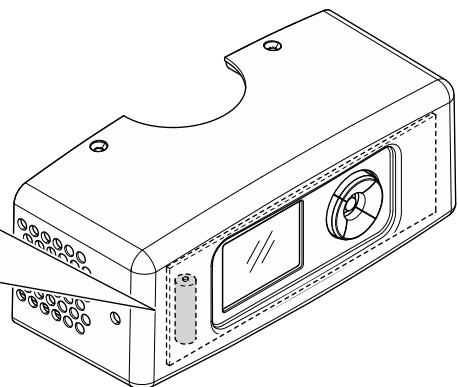
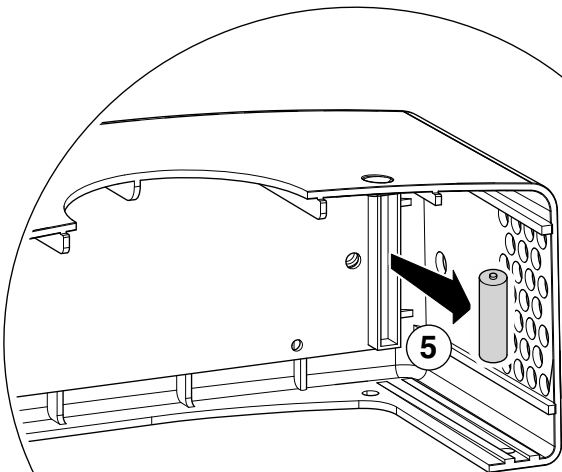
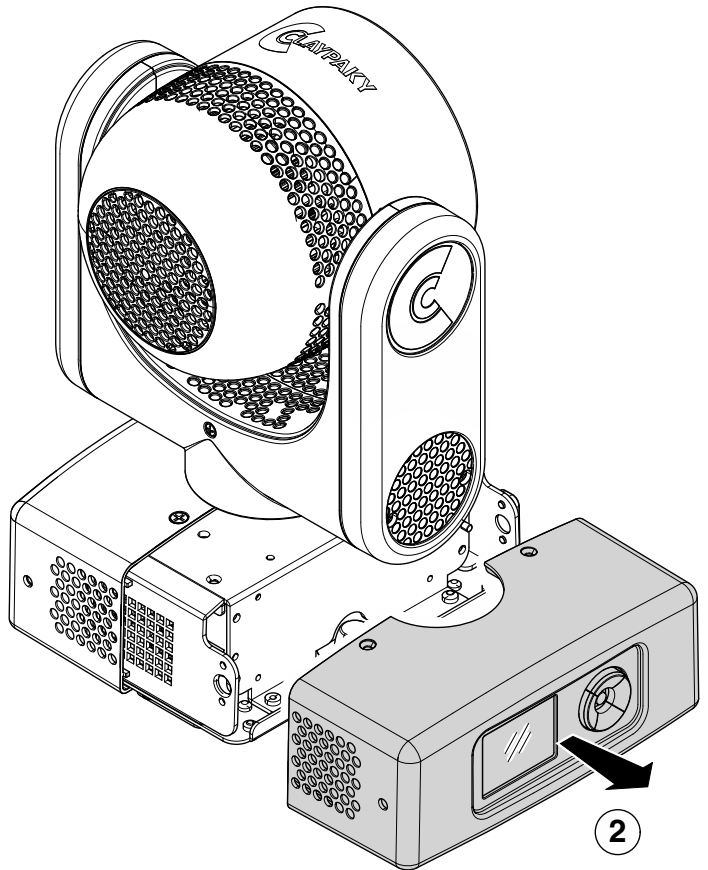
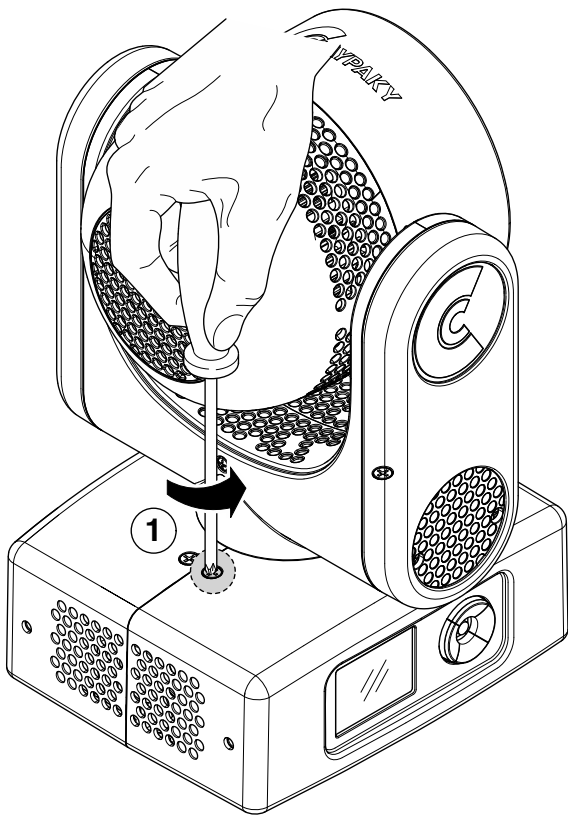
- To avoid damage to the internal parts of the fixture when the fixture is not working, it is recommended to turn the head down before turning the fixture off, so that the front lenses of the fixture are invested as little as possible from the sun.
- Set Zoom channel to 255-bit before turning off the projector to facilitate the packaging of the projector.
- It is recommended not to use compressed air with more than 4 atmospheres for cleaning the internal parts of the fixture, led board area. This is to avoid damaging electronic components.
- To ensure optimal operation and performance for a long time it is essential to periodically clean the parts subject to dust and grease deposits. The frequency with which the following operations are to be carried out depends on various factors, such as the amount of the effects and the quality of the working environment (air humidity, presence of dust, salinity, etc.). It is recommended that the projector undergoes an annual service by a qualified technician for special maintenance involving at least the following operations:
  - General cleaning of internal parts.
  - Restoring lubrication of all parts subject to friction, using lubricants specifically supplied by Claypaky.
  - General visual check of the internal components, cabling, mechanical parts, etc.
  - Electrical, photometric and functional checks; eventual repairs.

#### Cleaning the lenses

Only use neutral soap and water to clean the lenses, then dry it carefully with a soft, non-abrasive cloth. (WARNING: the use of alcohol or any other detergent could damage the lenses).

## 4.2 Battery removal

10



Battery removal - Fig. 10

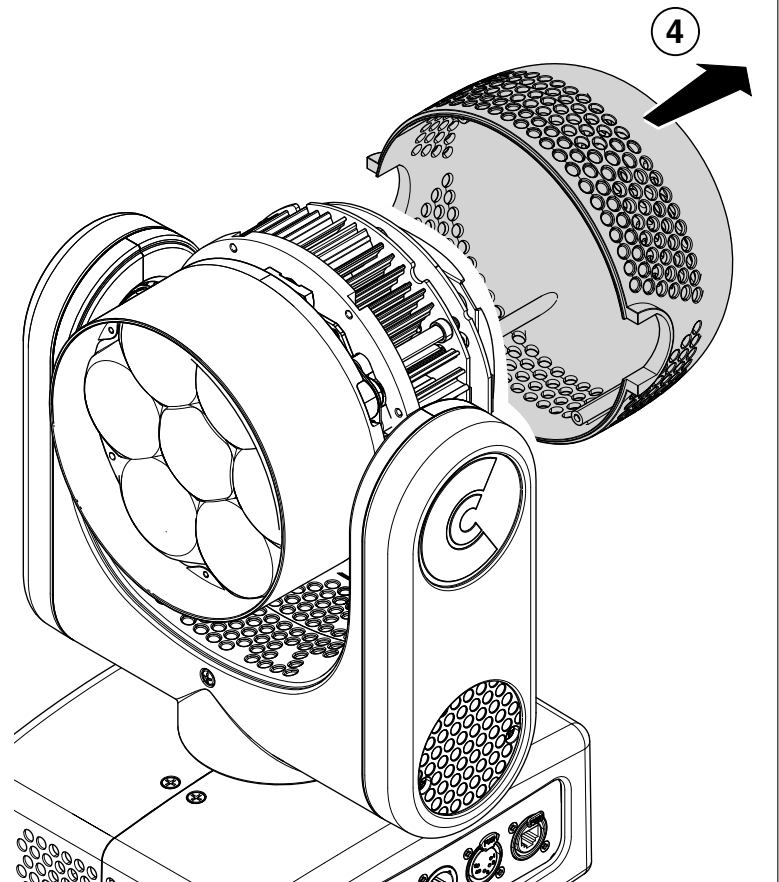
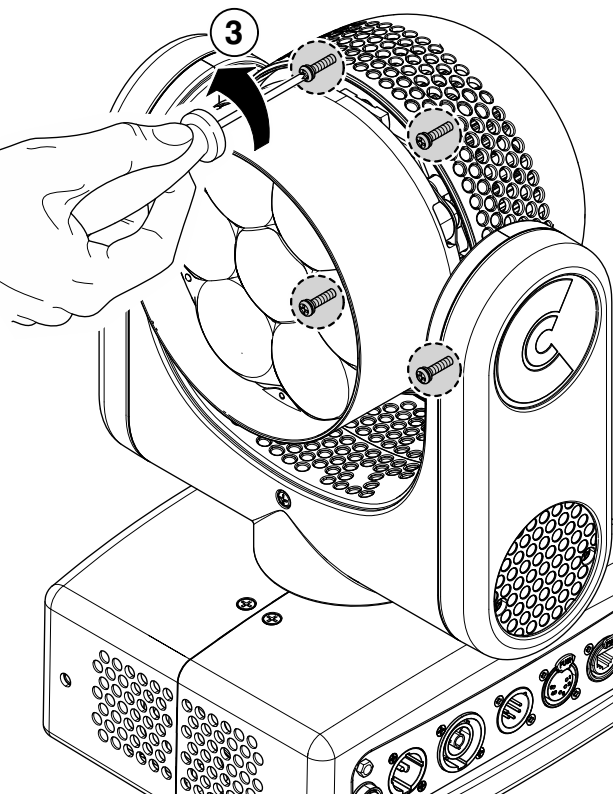
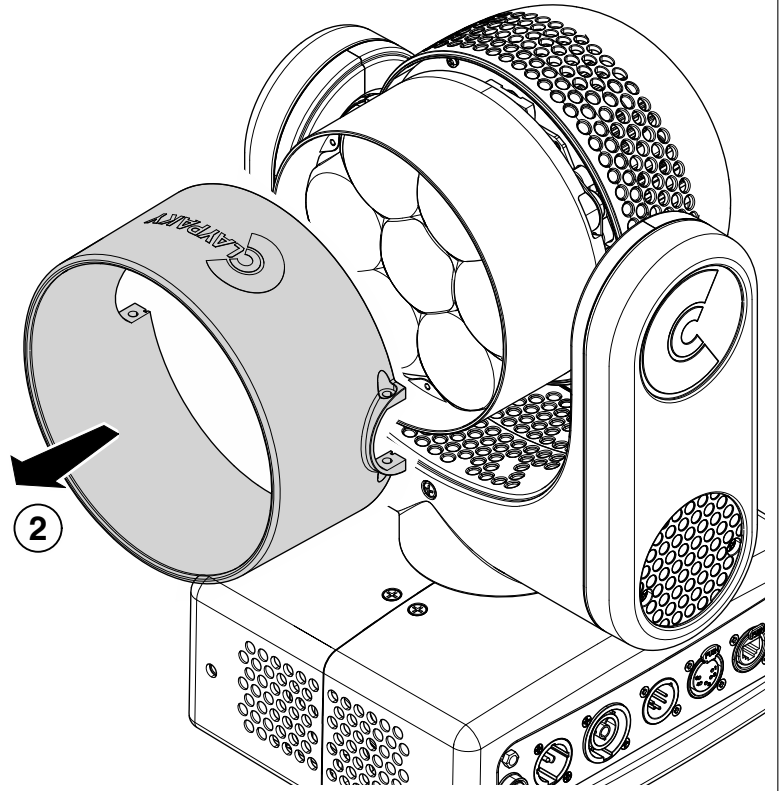
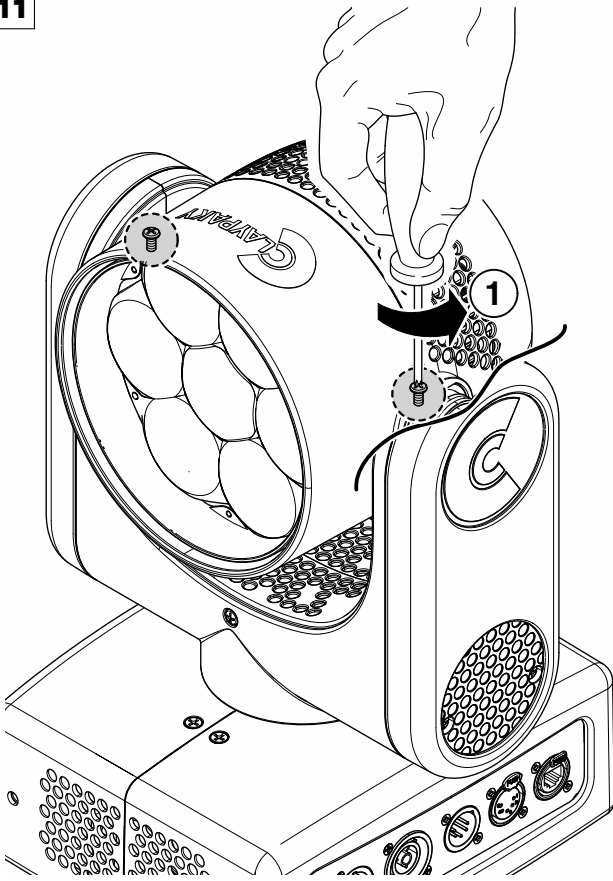


This product contains a rechargeable battery. To preserve the environment, please dispose the battery at the end of its life according to the regulation in force.



### 4.3 Opening the covers

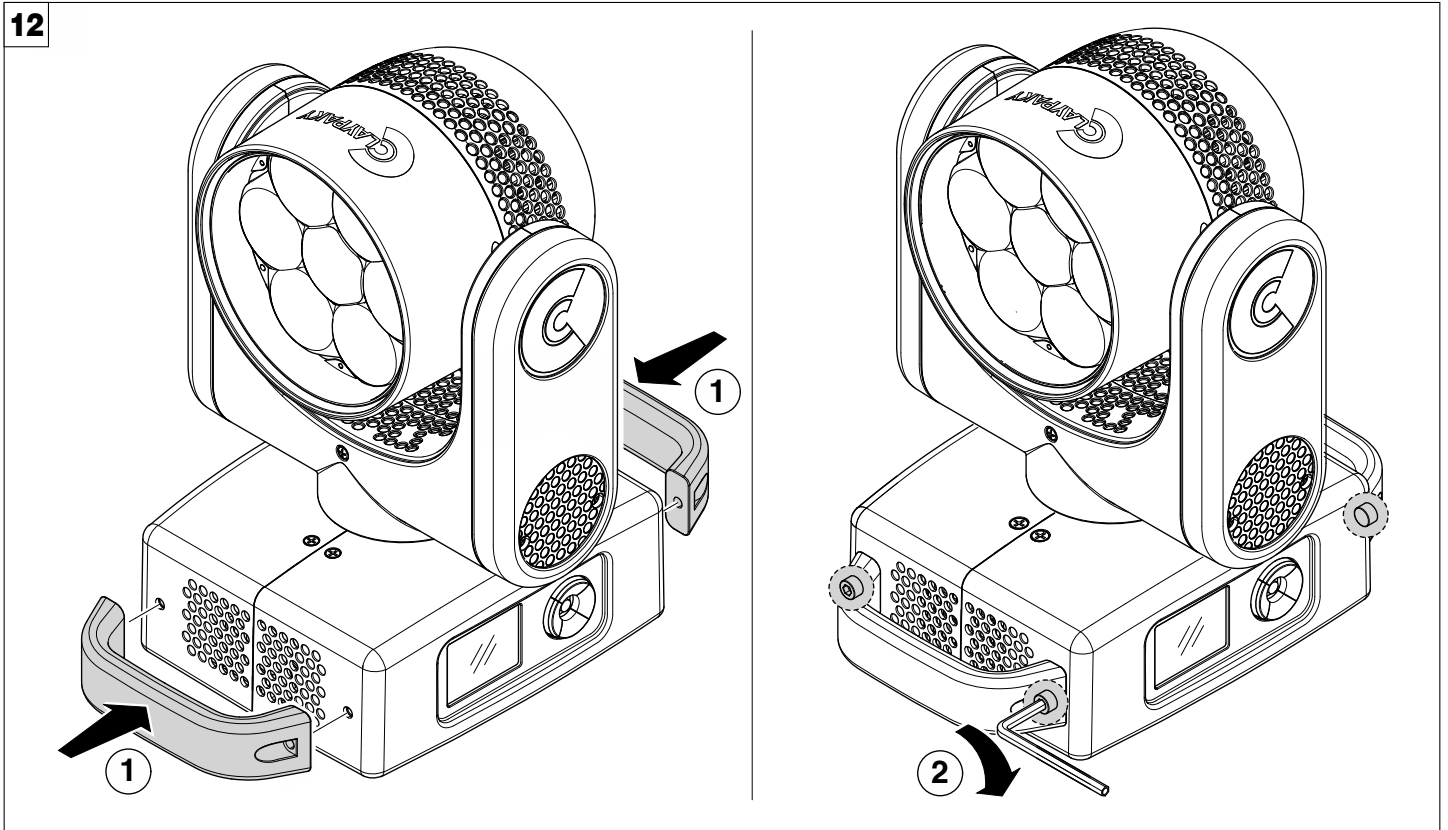
11



Opening the covers - Fig. 11

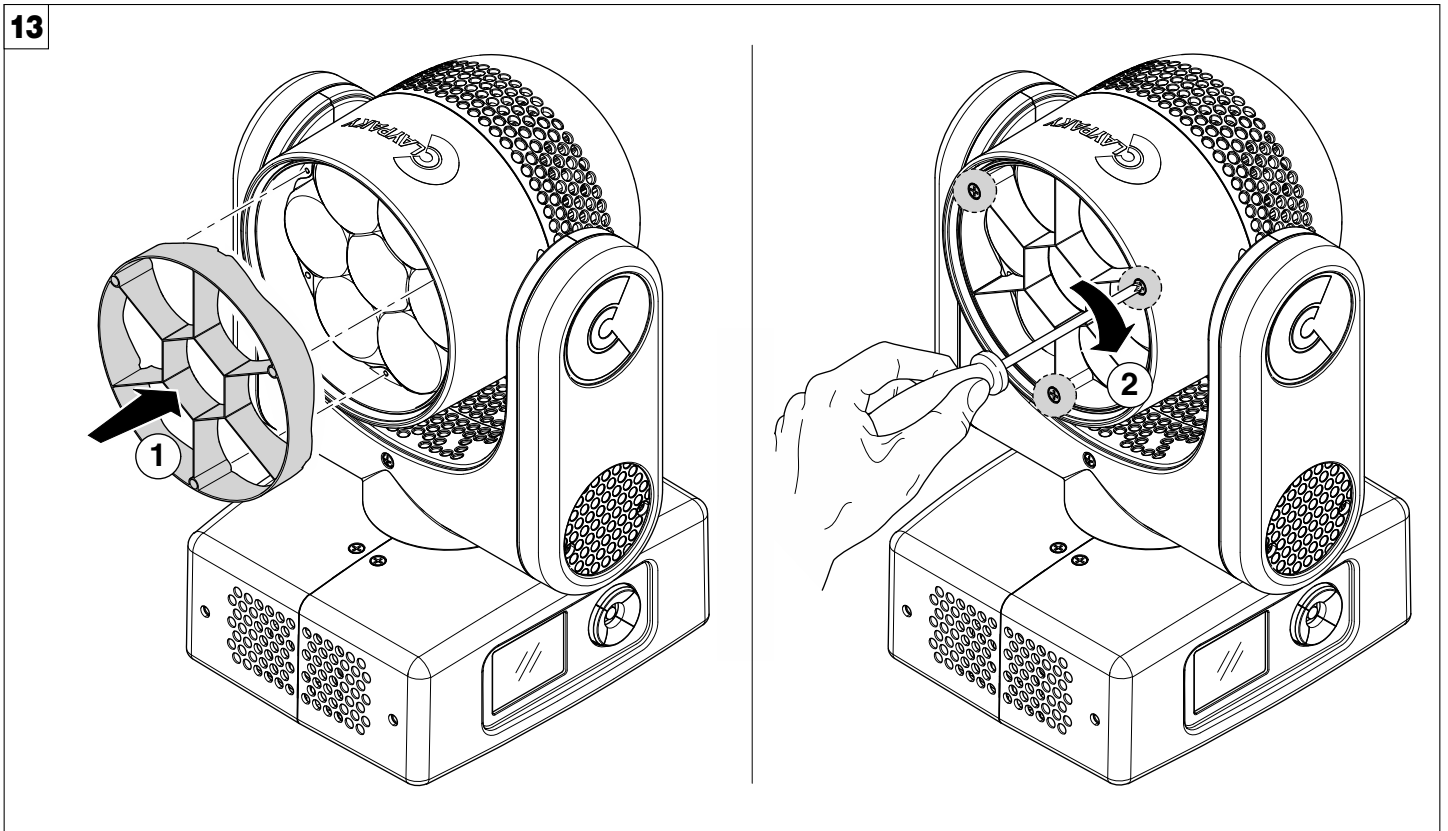
## 5. ACCESSORIES

12



Optional Handles CA3001000100 - Fig. 12

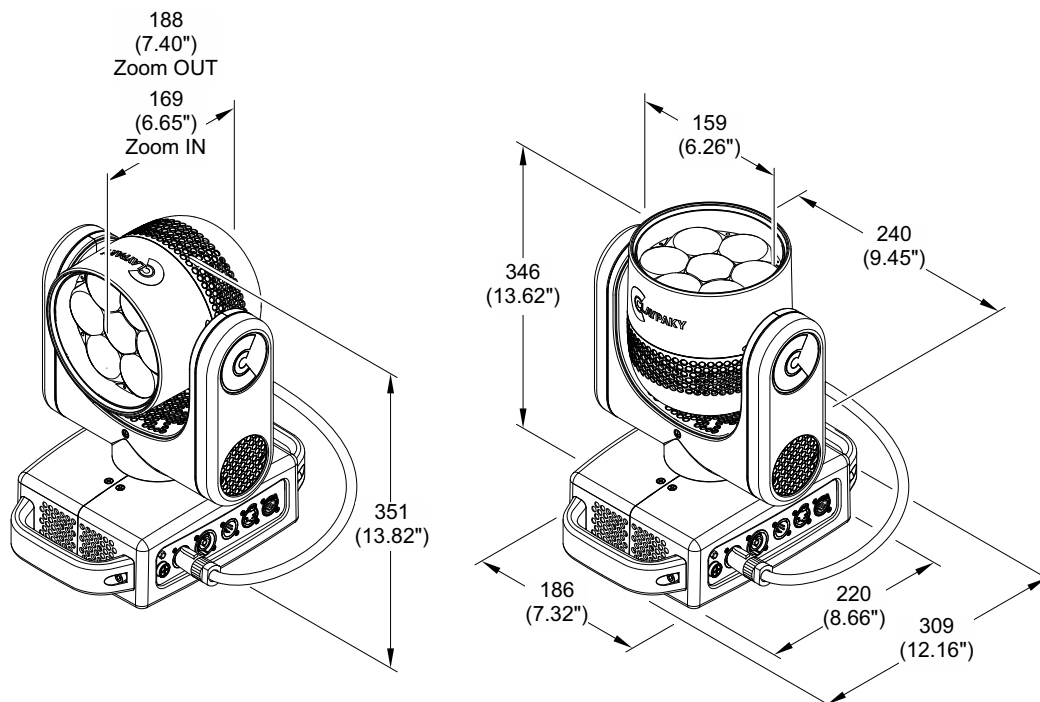
13



Optional Egg Crate CA3002000100 - Fig. 13

## 6. SPECIFICATIONS

### Mini-B



### POWER SUPPLIES

AC power input Neutrik PowerCON True1 100-240V, 50/60 Hz.

### INPUT POWER

375 VA @230Vac - 50Hz.

PowerCon Output: max 6 fixture @200-240Vac / max 2 fixture @100-120Vac.

### LIGHT SOURCE

7x Osram 40W RGBW LEDs.

Life: 50000 hrs (L70 20000 hrs)

### OPTICS

4°- 55° Electronic Zoom range.

Independent control of the central LED

### COLOR SYSTEM

Preset macro colors.

2500K – 8000K color temperature control.

### EFFECTS SECTION

16 bit dimmer with 4 curves

Electronic strobe @ 25 f/sec

Preset Effect macros

### CONTROL AND PROGRAMMING

16/20/28 control channels.

Control signal USITT DMX 512/Art-Net

Protocols RDM, WebServer and Art-Net.

Display Graphic LCD backlit b/w Display.

Display battery Long life self-charging buffer battery.

Pan/Tilt Resolution 16 bit.

Dimmer Resolution 16 bit.

DMX signal connection 5 pole XLR input and output.

Ethernet Input.

### BODY

Aluminum and steel structure with plastic covers.

Two side handles for transportation (Optional).

Device locking PAN and TILT mechanisms for transportation and maintenance.

### MOVING BODY

Movement by means of two stepper motors, controlled by microprocessor

Automatic repositioning of PAN and TILT after accidental movement not controlled by control unit.

Travel:

- PAN = 540°

- TILT = 260°

### ELECTRONICS

Function reset from the lighting desk.

“AUTOTEST” function from menu.

Electronic monitoring with status error.

Cooling system monitoring.

DMX level monitoring on all channels.

Internal data transmission diagnostics.

Firmware Upgrade via Web Server.

Firmware upload from another fixture.

### SAFETY DEVICES

Minimum distance of illuminated objects 0.2 m (8").

Minimum distance from flammable materials 0.2 meters (8").

Max ambient temperature 40°C (104°F).

Max temperature of the external surface 90°C (194°F).

Protection Fuse.

Forced ventilation with axial fans.

Automatic power safety derating in case of overheat of the LED board.

### WORKING POSITION

Working in any position.

Hanging system: with one fast-lock omega clamp (1/4 turn) on the base.

### CE MARKING

In conformity with the European Directives:

2014/35/EU - Safety of electrical equipment supplied at low voltage (LVD).

2014/30/EU - Electromagnetic Compatibility (EMC).

2011/65/EU - Restriction of the use of certain hazardous substances (RoHS).

2009/125/EC - EcoDesign requirements for Energy-related Products (ErP).

### ETL

This product is available, on demand, with cETLus Listed Mark.

### WEIGHT

6.5 Kg (14.3 lbs)

### DIMENSIONS

224Mm x 186mm x 340mm (8.8" x 7.3" x 13.4")

## 7. CAUSE AND SOLUTION OF PROBLEMS

THE PROJECTOR WILL NOT SWITCH ON			<i><b>PROBLEMS</b></i>
ELECTRONICS NON-OPERATIONAL			
DEFECTIVE PROJECTION			
REDUCED LUMINOSITY			
		<i><b>POSSIBLE CAUSES</b></i>	<i><b>CHECKS AND REMEDIES</b></i>
●		No mains supply.	Check the power supply voltage.
●	●	LED exhausted or defective.	Call an authorised technician.
	●	Signal transmission cable faulty or disconnected.	Replace the cables.
	●	Incorrect addressing.	Check addresses (see instructions).
	●	Fault in the electronic circuits.	Call an authorised technician.
	●	Lenses broken	Call an authorised technician.
	● ●	Dust or grease deposited.	Clean (see instructions).