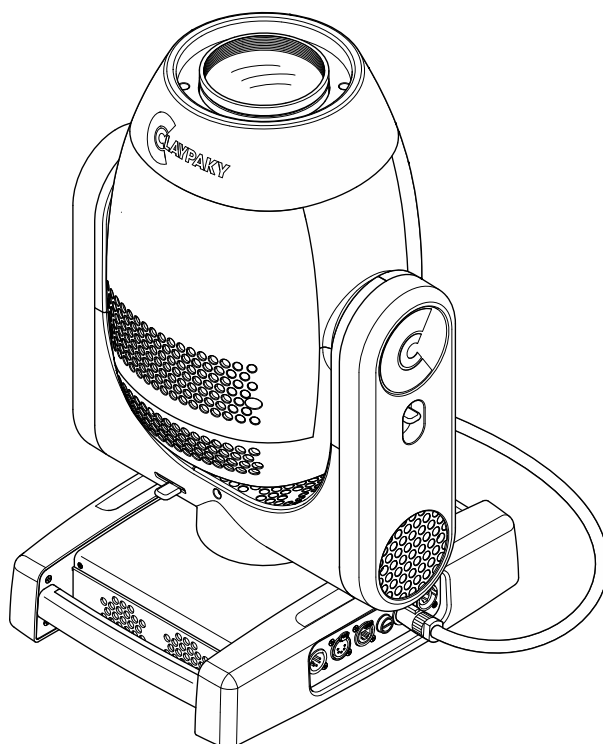


## INSTRUCTION MANUAL



### INDEX

Page	Contents
2	Safety Information
3	Unpacking and preparation
4	Installation and start-up
5	Control panel
7	Maintenance
15	Technical information
15	Cause and solution of problems

*Congratulations on choosing a Claypaky product!  
We thank you for your custom.*

*Please note that this product, as all the others in the rich Claypaky range, has been designed and made with total quality to ensure excellent performance and best meet your expectations and requirements.*

## SAFETY INFORMATION

EN

### SAFETY INFORMATION

IMPORTANT: Claypaky recommends you carefully read and keep the safety information on this product, also available in digital format at the following link:

**[www.claypaky.com](http://www.claypaky.com)**

Ref: [FIS01A – Safety Information Axcor 300 series]

IT

### INFORMAZIONI DI SICUREZZA

IMPORTANTE: Claypaky raccomanda di leggere accuratamente e conservare le informazioni di sicurezza relative a questo prodotto, sempre reperibili in versione digitale al seguente link:

**[www.claypaky.com](http://www.claypaky.com)**

Rif: [FIS01A – Safety Information Axcor 300 series]

DE

### INFORMATIONEN ZUR SICHERHEIT

WICHTIG: Claypaky empfiehlt, die Sicherheitsinformationen bezüglich dieses Produkts genau zu lesen und aufzubewahren. Sie sind in Digitalversion immer unter folgendem Link auffindbar:

**[www.claypaky.com](http://www.claypaky.com)**

Ref: [FIS01A – Safety Information Axcor 300 series]

ES

### INFORMACIONES DE SEGURIDAD

IMPORTANTE: Claypaky recomienda leer detenidamente y conservar la información de seguridad relativa a este producto. Además, está disponible una versión digital de la misma en el siguiente enlace:

**[www.claypaky.com](http://www.claypaky.com)**

Ref: [FIS01A – Safety Information Axcor 300 series]

FR

### CONSIGNES DE SÉCURITÉ

IMPORTANT: Claypaky recommande de lire attentivement et de conserver les informations de sécurité relatives à ce produit, disponibles en version digitale au lien suivant:

**[www.claypaky.com](http://www.claypaky.com)**

Réf. : [FIS01A – Safety Information Axcor 300 series]

RU

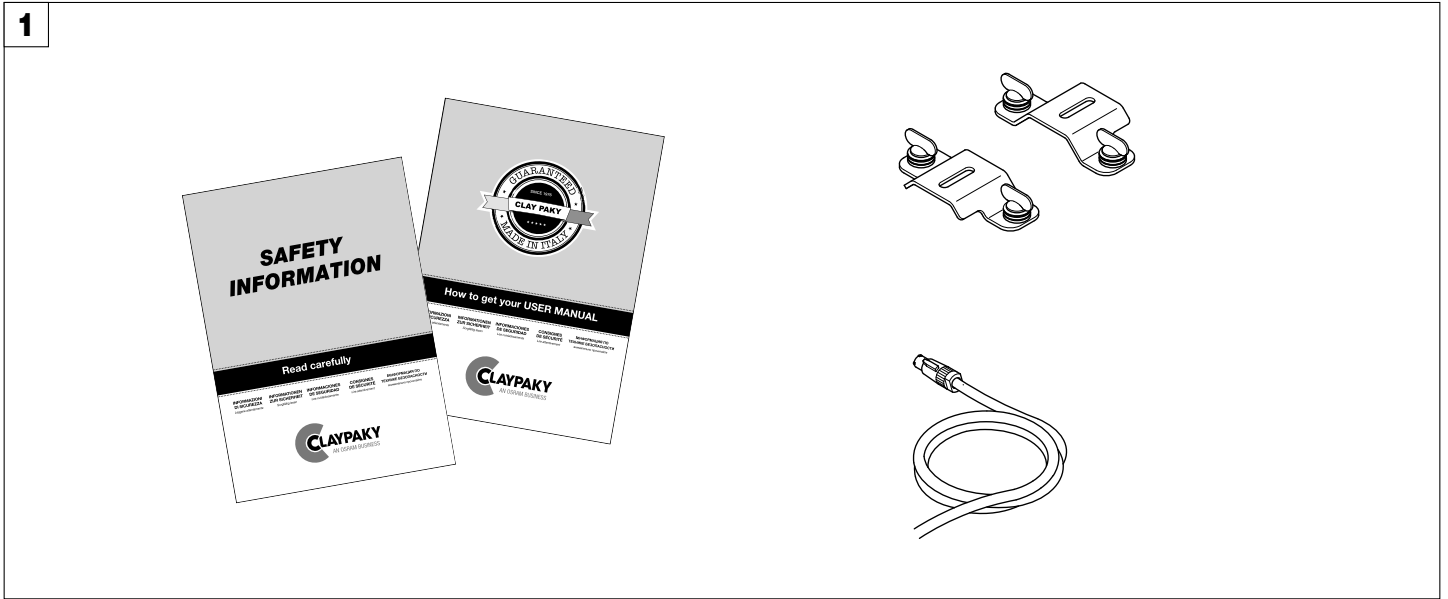
### ИНСТРУКЦИЮ ПО ТЕХНИКЕ БЕЗОПАСНОСТИ

ВАЖНО: Claypaky рекомендует внимательно прочитать и сохранить инструкцию по технике безопасности данного изделия, которая всегда доступна в электронном формате по следующей ссылке:

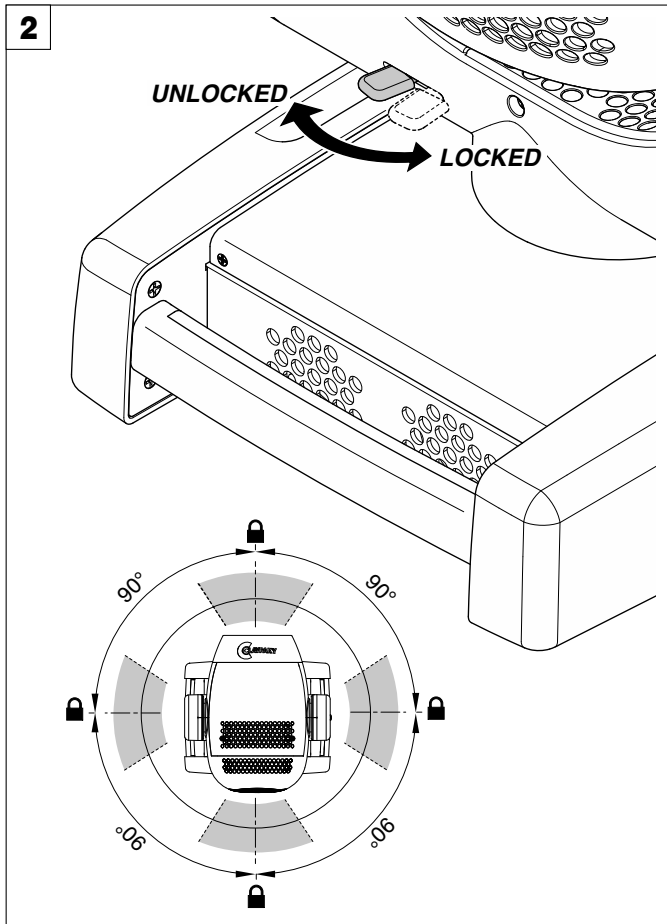
**[www.claypaky.com](http://www.claypaky.com)**

Наименование: [FIS01A – Safety Information Axcor 300 series]

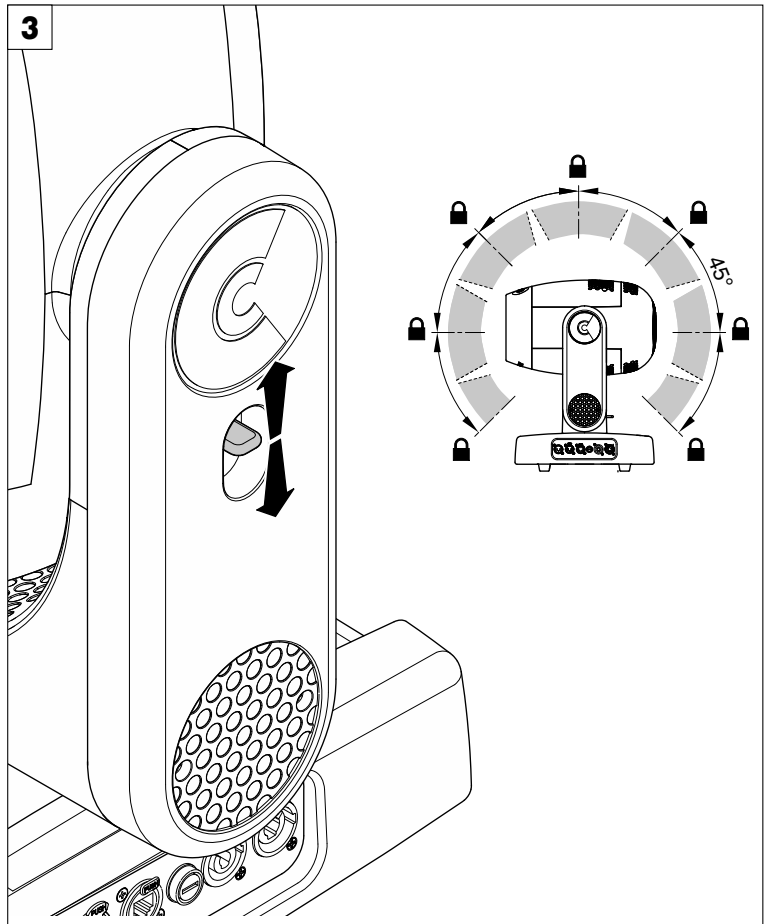
# UNPACKING AND PREPARATION



Packing contents - Fig. 1

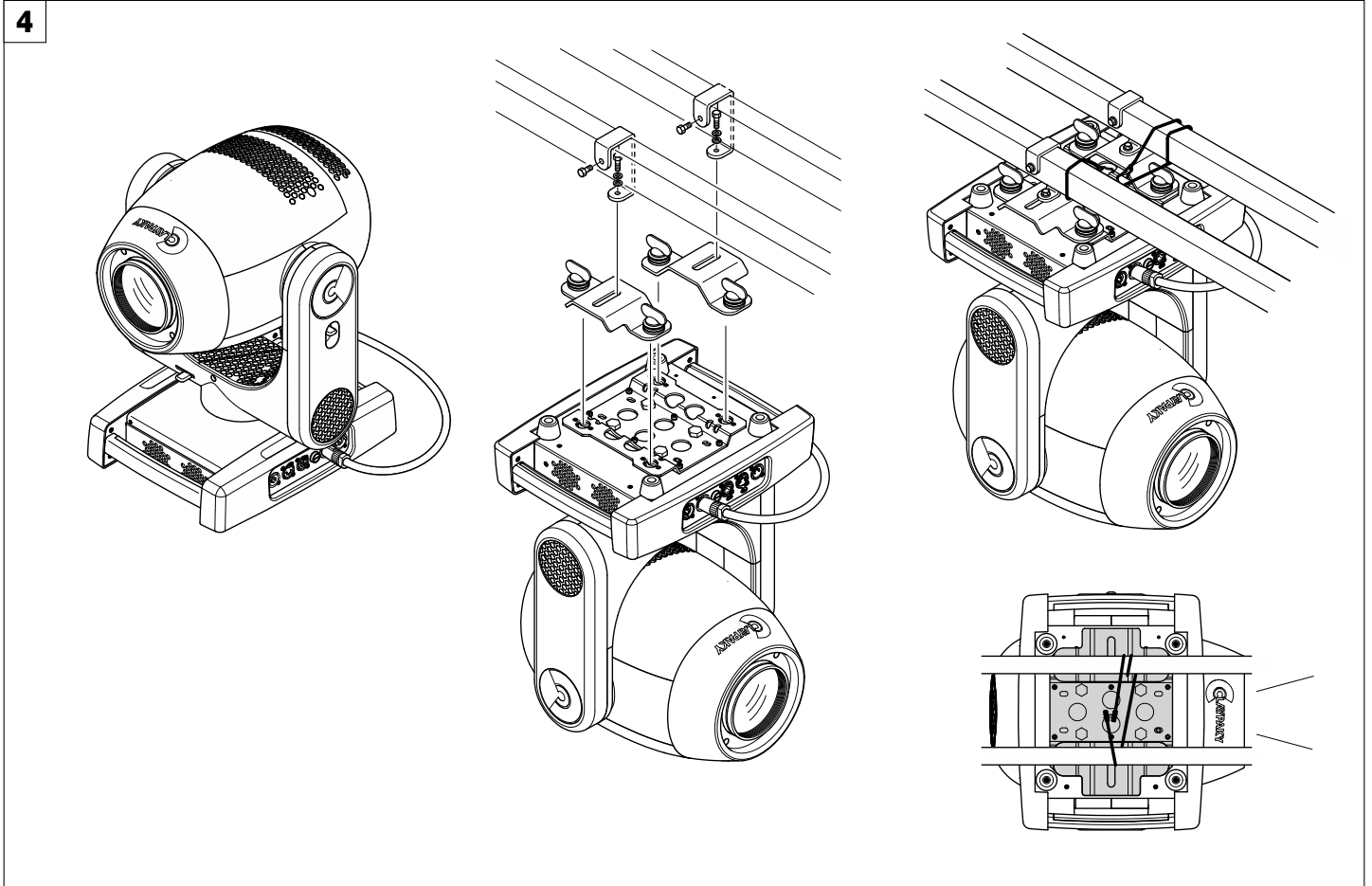


PAN Mechanism Lock and Release (every 90°) - Fig. 2



TILT Mechanism Lock and Release (every 45°) - Fig. 3

## INSTALLATION AND START-UP



Installing the projector - Fig. 4

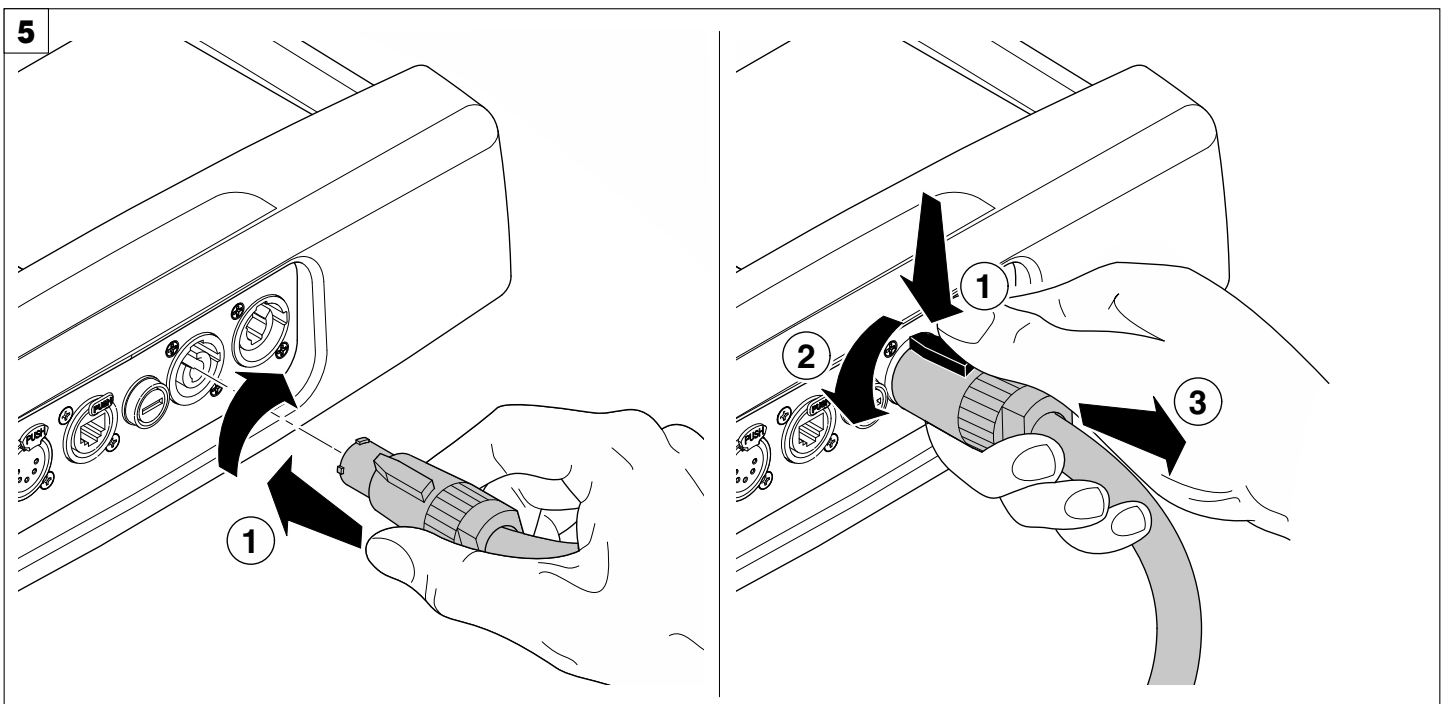
The projector can be installed on the floor resting on special rubber feet, on a truss or on the ceiling or wall.

**WARNING:** with the exception of when the projector is positioned on the floor, the safety cable must be fitted. (Cod. 105041/003 available on request). This must be securely fixed to the support structure of the projector and then connected to the fixing point at the centre of the base.



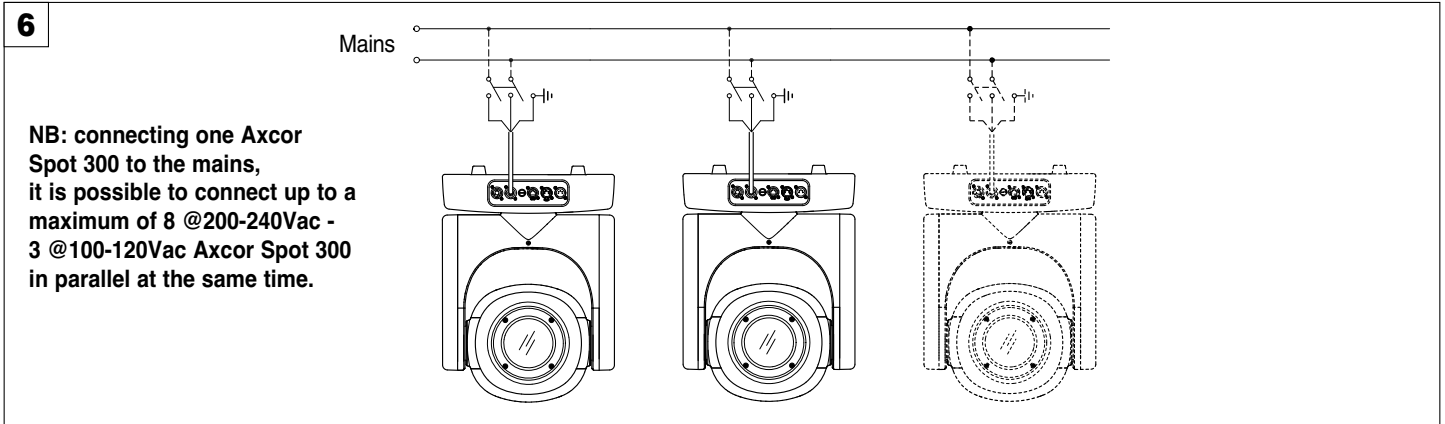
**WARNING: light collimation system**

This product contains internal light collimation system.  
Avoid intense light from any angle.

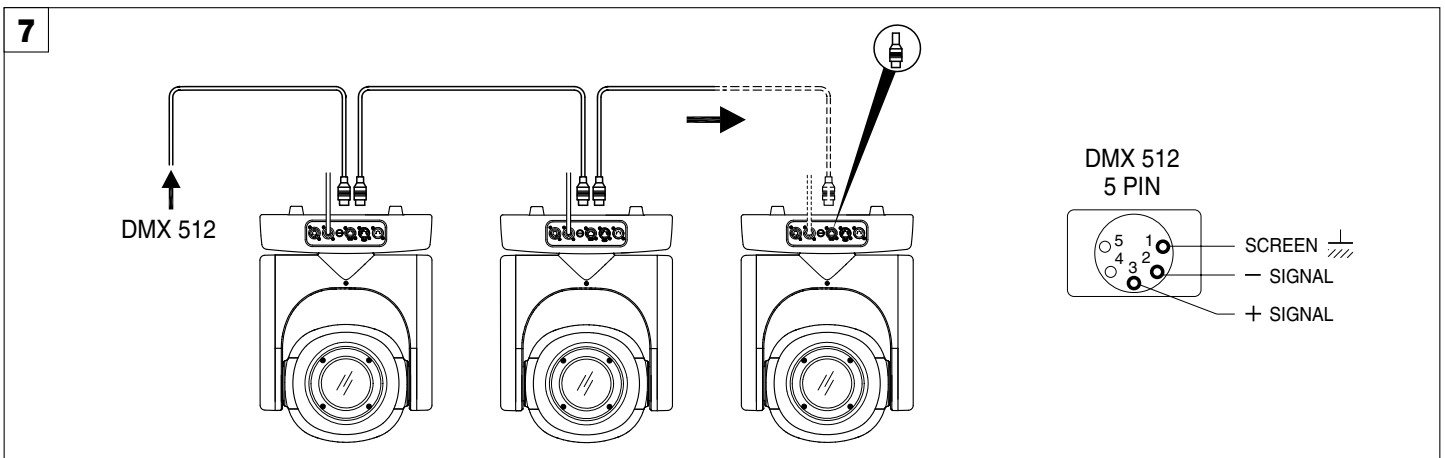


Connecting and disconnecting power cable - Fig. 5

# CONTROL PANEL



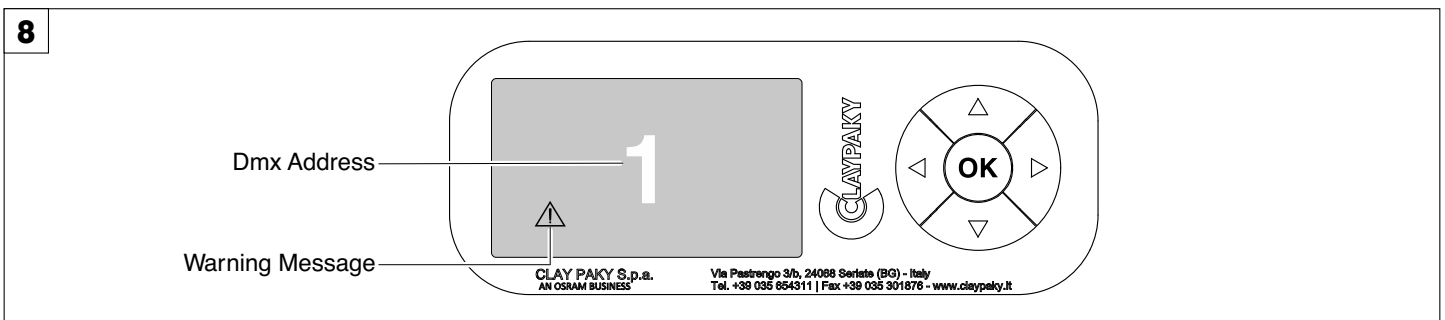
Connecting to the mains supply - Fig. 6



Connecting to the control signal line (DMX) - Fig. 7

Use a cable conforming to specifications EIA RS-485: 2-pole twisted, shielded, 120Ohm characteristic impedance, 22-24 AWG, low capacity. Do not use microphone cable or other cable with characteristics differing from those specified. The end connections must be made using XLR type 5-pin male/female connectors. A terminating plug must be inserted into the last projector with a resistance of 120Ohm (minimum 1/4 W) between terminals 2 and 3.

**IMPORTANT:** The wires must not make contact with each other or with the metal casing of the connectors. The casing itself must be connected to the shield braid and to pin 1 of the connectors.



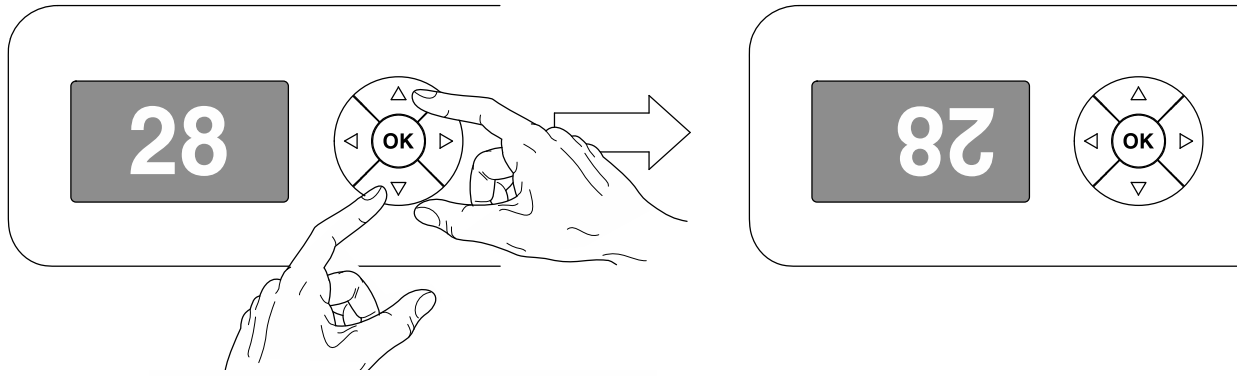
Switching on the projector - Fig. 8

Press the switch. The projector starts resetting the effects. At the same time, the following information scrolls on the display:



	<b>Model</b> Axcor Spot 300	<b>Firmware</b> Version X.X.X Date - Hour	<b>Axcor Spot 300</b> Dmx Address xxx	<b>System errors</b> E: ..... W: .....
--	-----------------------------------	---	--	--

On conclusion of resetting in case of absence of the dmx signal, Pan and Tilt move to the "Home" position (Pan 128 bit - Tilt 128 bit). The control panel (Fig. 8) has a display and buttons for the complete programming and management of the projector menu. The display can be in one of two conditions: rest status and setting status. When it is in the rest status, the display shows the projector's DMX address.

During menu setting status, after a wait time (about 30 seconds) without any key having been pressed, the display automatically returns to rest status. It should be noted that when this condition occurs, any possible value that has been modified but not yet confirmed with the **OK** key will be cancelled.



### Reversal of the display - Fig. 9

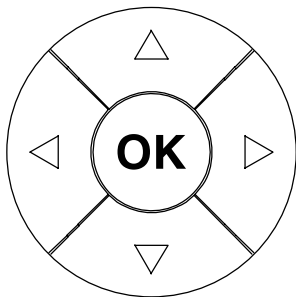
To activate this function, press UP  and DOWN  keys simultaneously while the display is in the rest mode. This status will be memorised and maintained even for the next time it will be switched on. To return to the initial state, repeat the operation all over again.

### Setting the projector starting address

On each projector, the starting address must be set for the control signal (addresses from 1 to 512).

The address can also be set with the projector switched off.

## Functions of the buttons - Using the menu



Confirms the displayed value, or activates the displayed function, or enters the successive menu.



DOWN

Decreases the value displayed (with auto-repetitions) or passes to the next item in the menu.



UP

Increases the value displayed (with auto-repetitions) or passes to the previous item in a menu.



LEFT

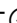

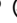
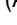

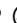
Return to the top level




RIGHT

Commute from units, tens, hundreds, in the "Address" and "Calibration" menu or enters the successive menu.

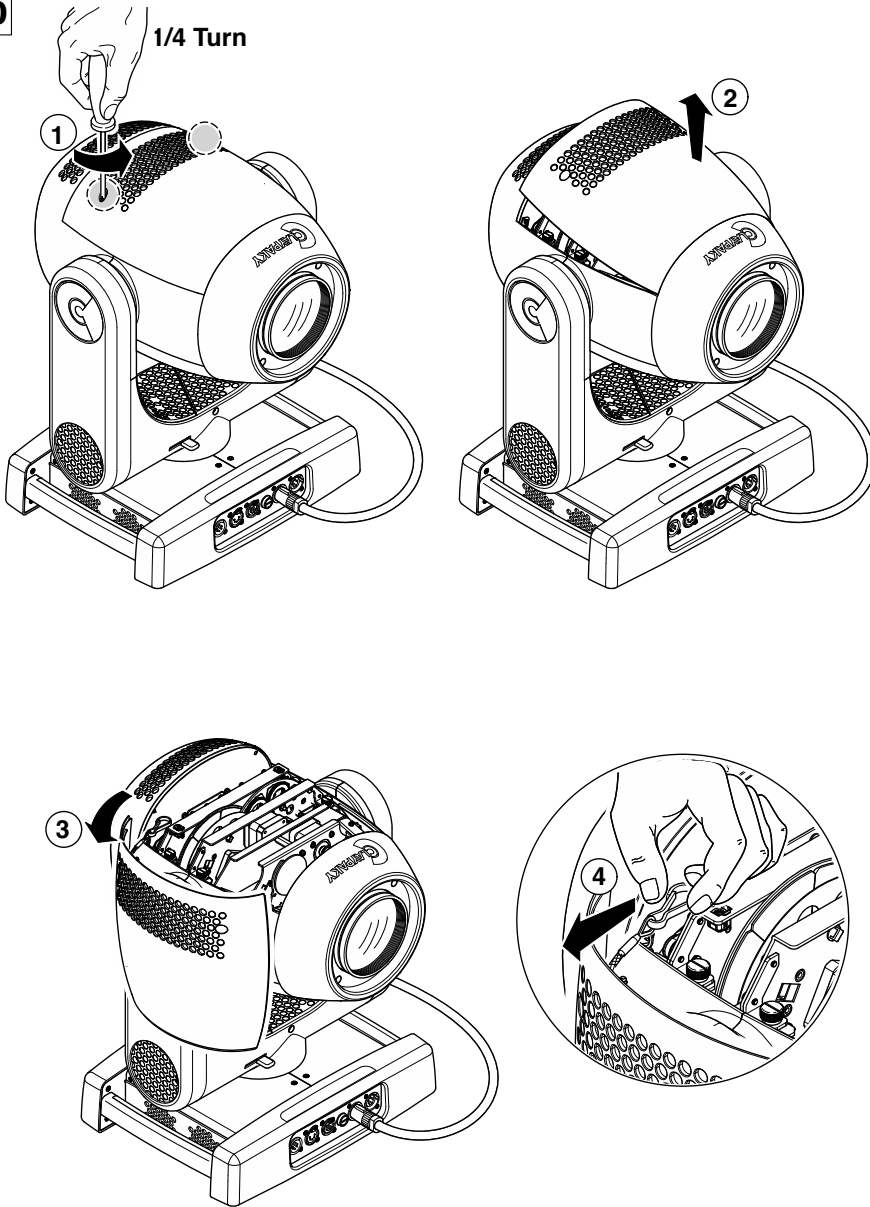
### USING THE MENU:

- 1) Press LEFT  once – "Main Menu" appears on the display.
- 2) Use the UP  and DOWN  keys to select the menu to be used:
  - Setup (Setup Menu): To set the setting options.
  - Option (Option Menu): To set the operating options
  - Informations (Informations Menu): To read the counters, software version and other information.
  - Manual Control (Manual control Menu): To trigger the test and manual control functions.
  - Test (Test Menu): To check the proper functioning of effects
  - Advanced (Advanced Menu): Access to the "Advanced menu" is recommended for a trained technical personnel.
- 3) Press  to display the first item in the selected menu.
- 4) Use the UP  and DOWN  keys to select the MENU items.

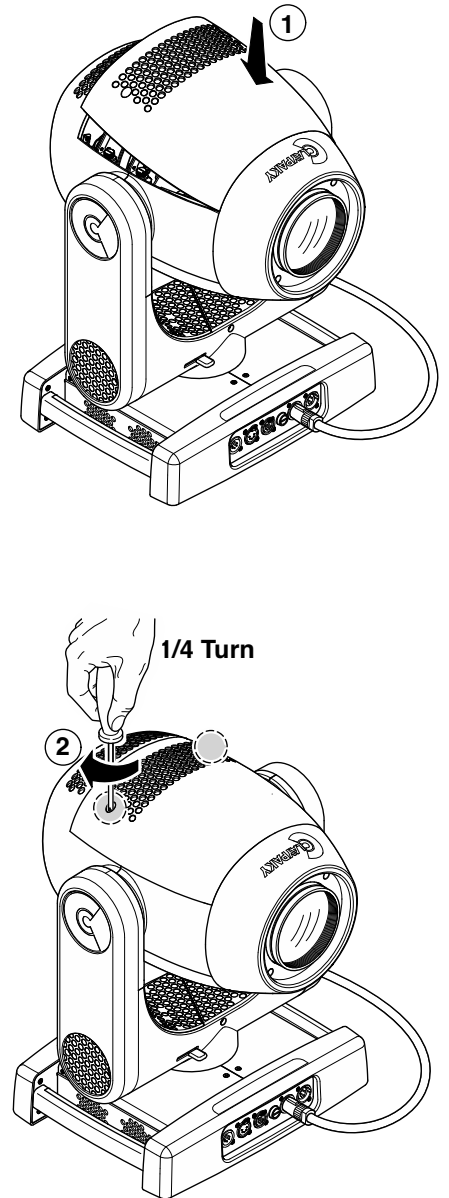
### Setting addresses and options with the projector disconnected

The projector's DMX address, as well as other possible operating options, can also be set when the appliance is disconnected from the electricity supply. All that is needed is to press RIGHT  to momentarily activate the display and thus access the settings. Once the required operations have been carried out, the display will switch off again after a wait time of 30 seconds.

10



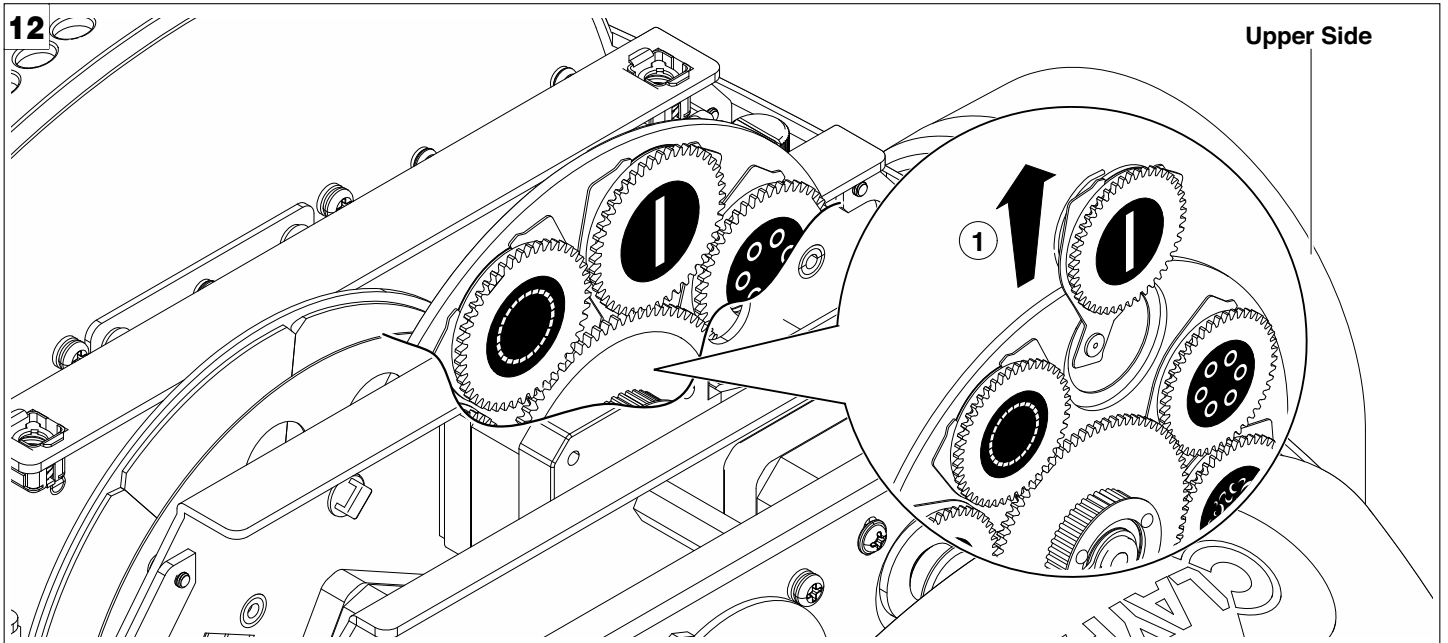
11



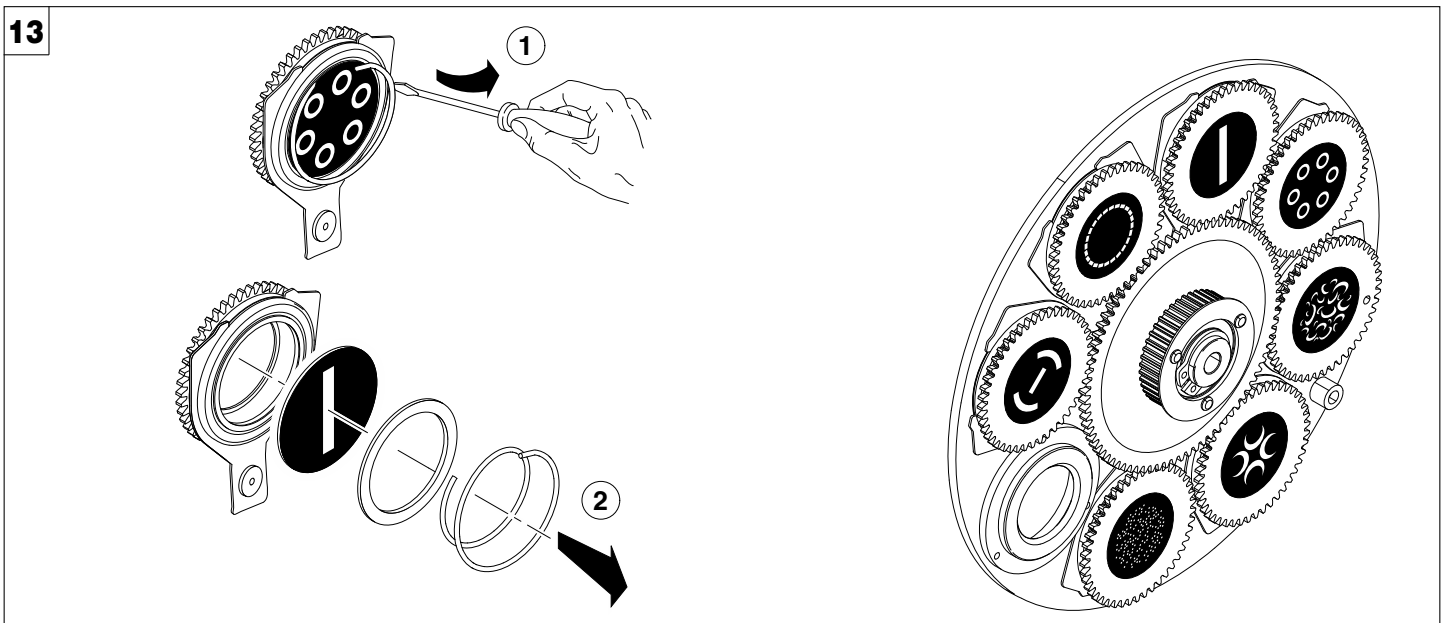
Locking and releasing Pan and Tilt movements - Refer to the instructions in the UNPACKING AND PREPARATION section.

Opening the head covers - Fig. 10.

Closing the head covers - Fig. 11.



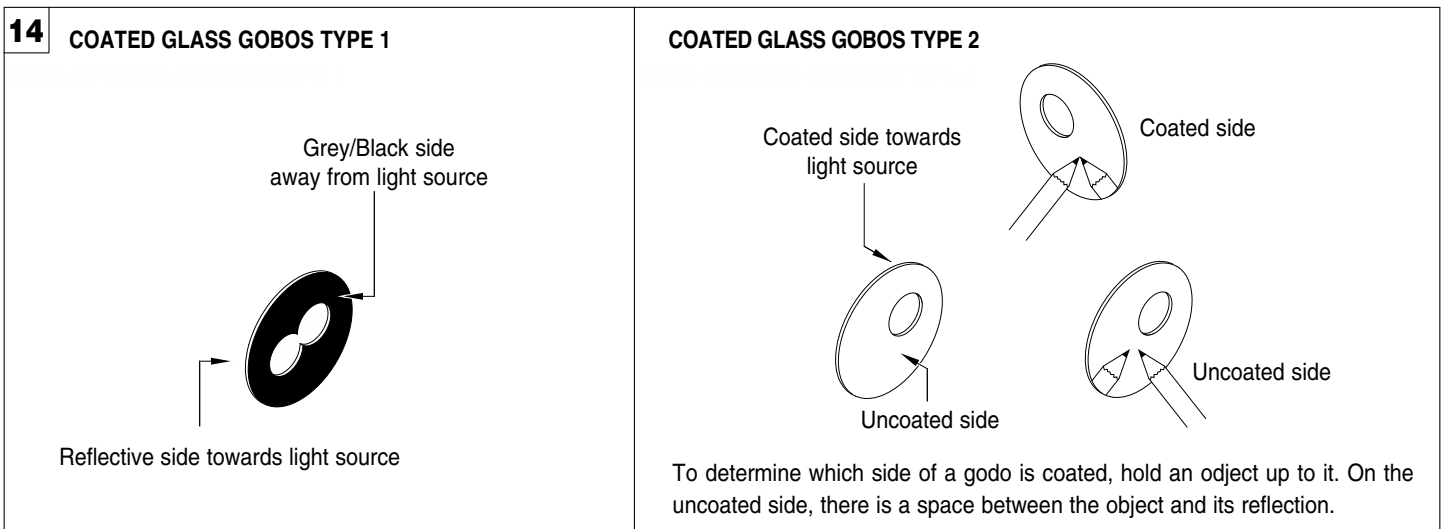
**Bearing group replacement - Fig. 12**



**Replacing rotating gobos (ø 22.9 mm - max 18 mm image – thickness max 1.1 mm) - Fig. 13**

**IMPORTANT:** Use only glass gobos on the rotating gobos wheel.

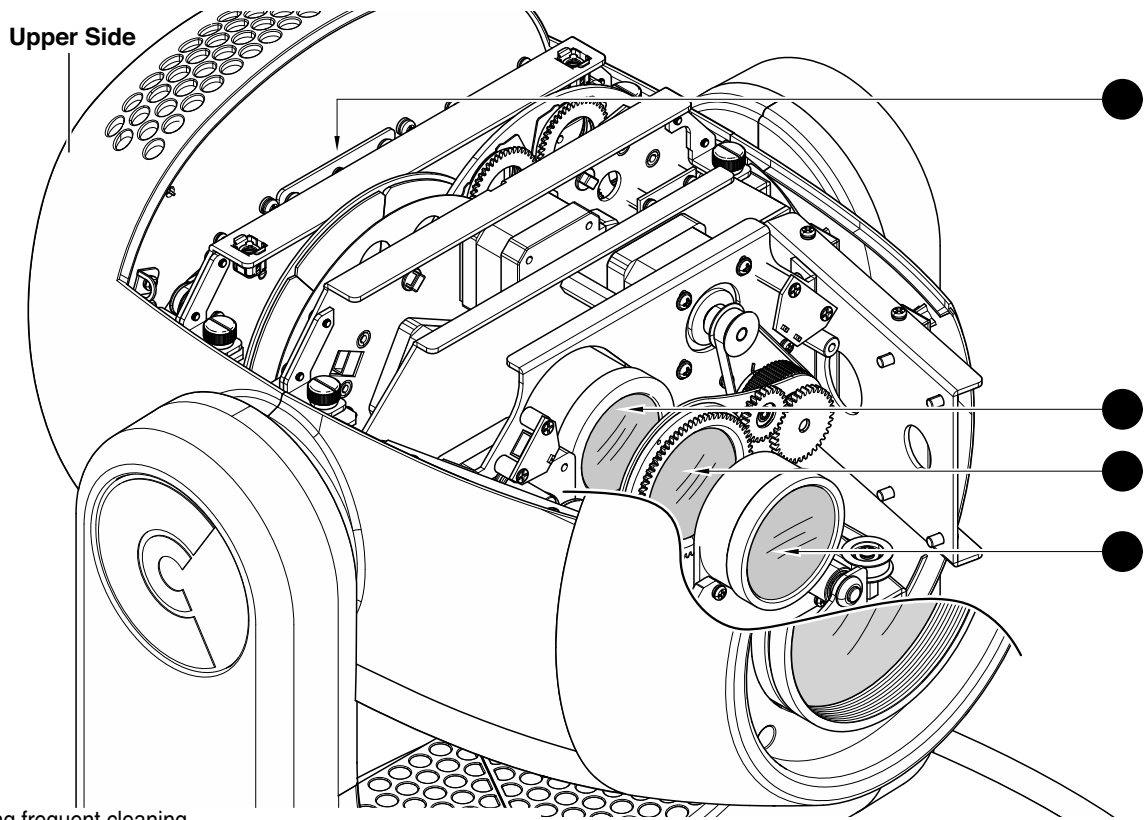
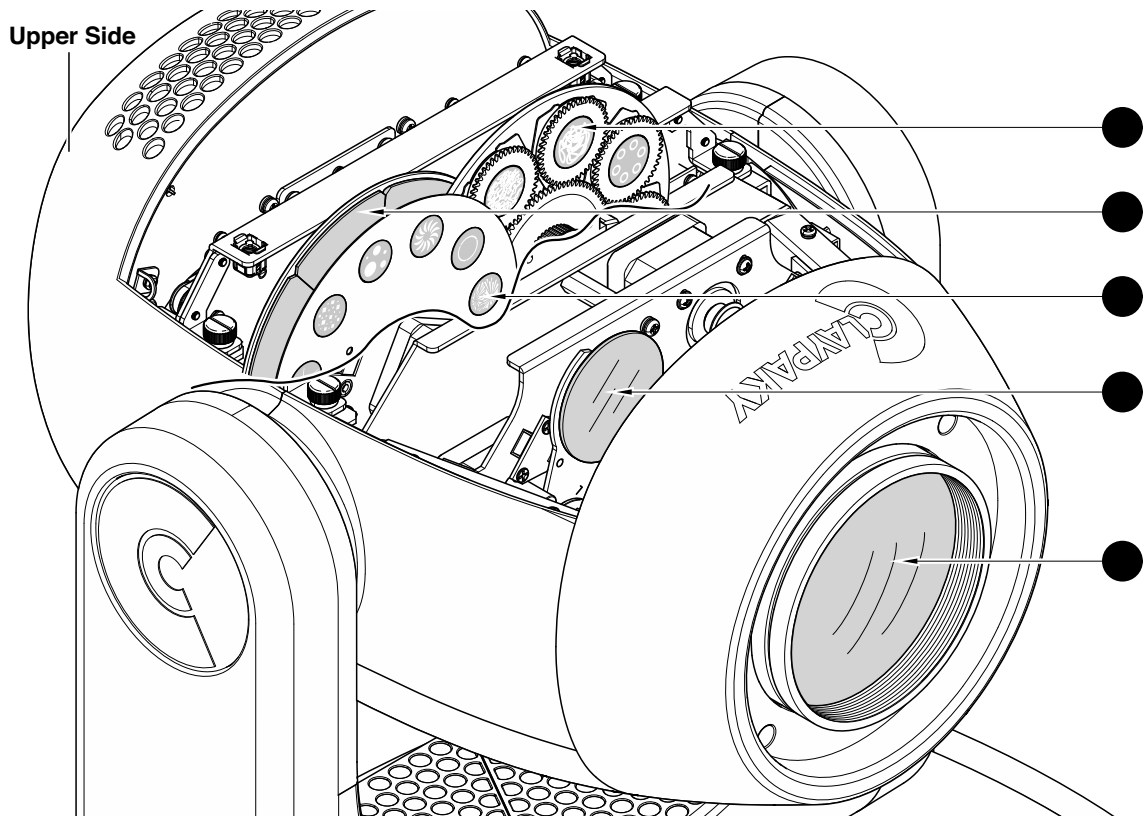
**WARNING:** Before using custom gobos contact Claypaky.



**Gobo orientation - Fig. 14**

The pictures shown the correct gobos orientation.





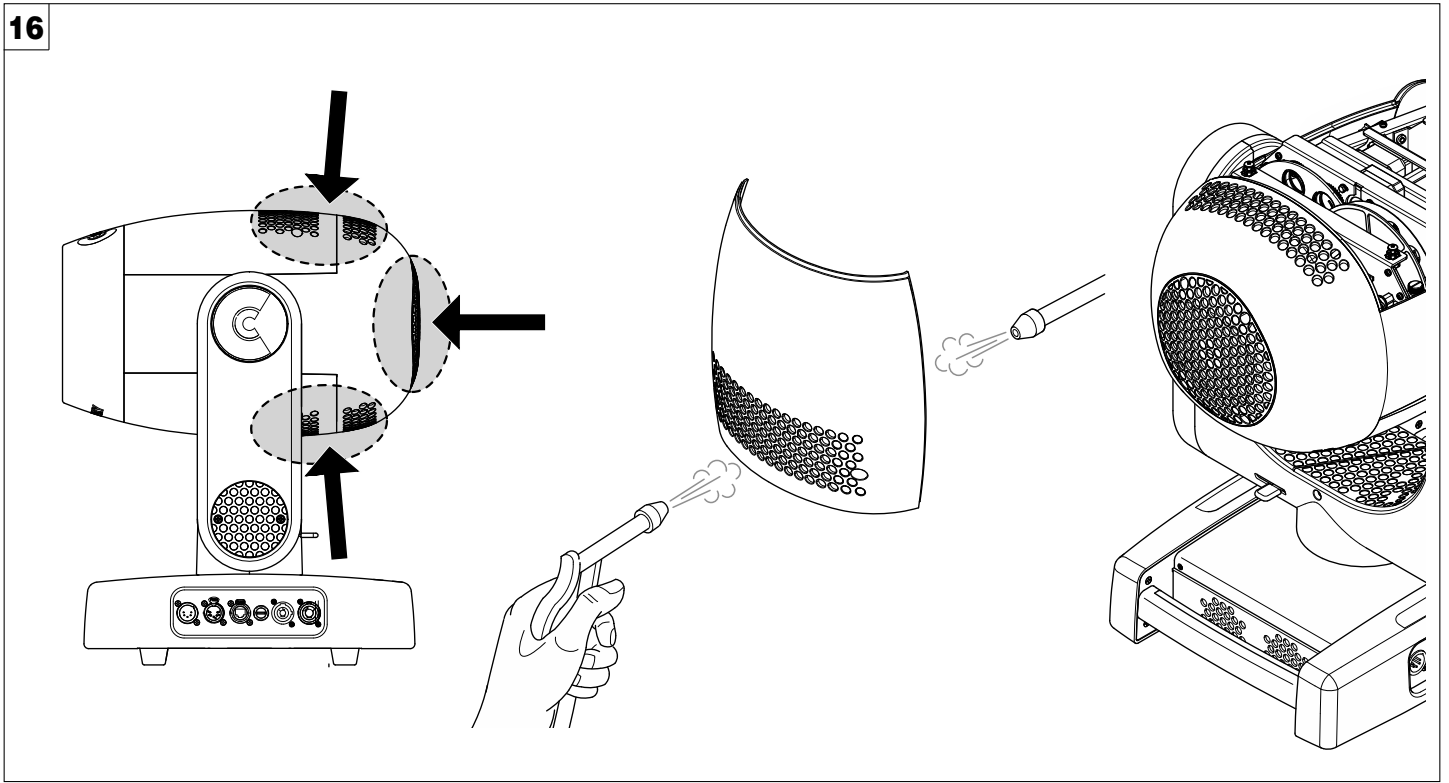
● Parts requiring frequent cleaning.

**Periodical cleaning - Fig. 15**

To ensure optimal operation and performance for a long time it is essential to periodically clean the parts subject to dust and grease deposits. The frequency with which the following operations are to be carried out depends on various factors, such as the amount of the effects and the quality of the working environment (air humidity, presence of dust, salinity, etc.).

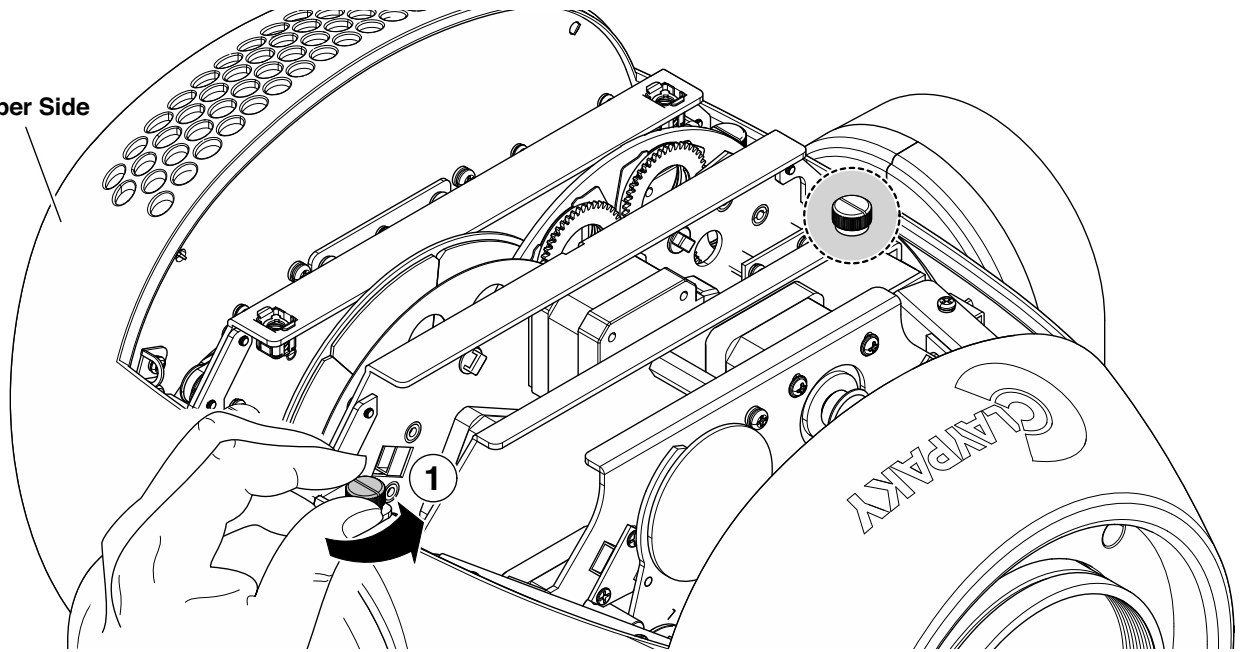
Use a soft cloth dampened with any detergent liquid for cleaning glass to remove the dirt from the reflectors, from the lenses and filters. It is recommended that the projector undergoes an annual service by a qualified technician for special maintenance involving at least the following operations:

- General cleaning of internal parts.
- Restoring lubrication of all parts subject to friction, using lubricants specifically supplied by Claypaky.
- General visual check of the internal components, cabling, mechanical parts, etc.
- Electrical, photometric and functional checks; eventual repairs.



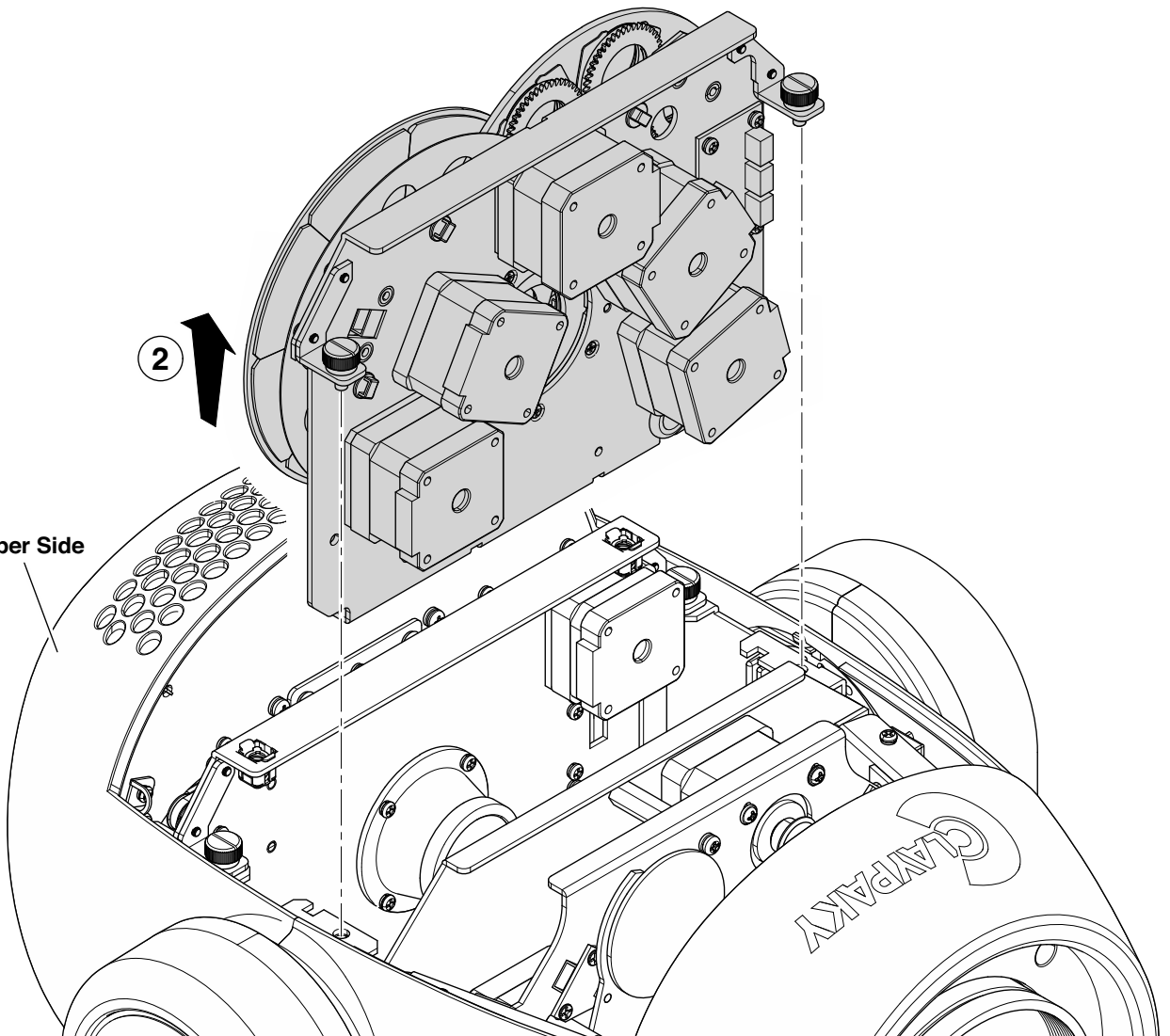
Cleaning of the filters - Fig. 16

Upper Side



2

Upper Side

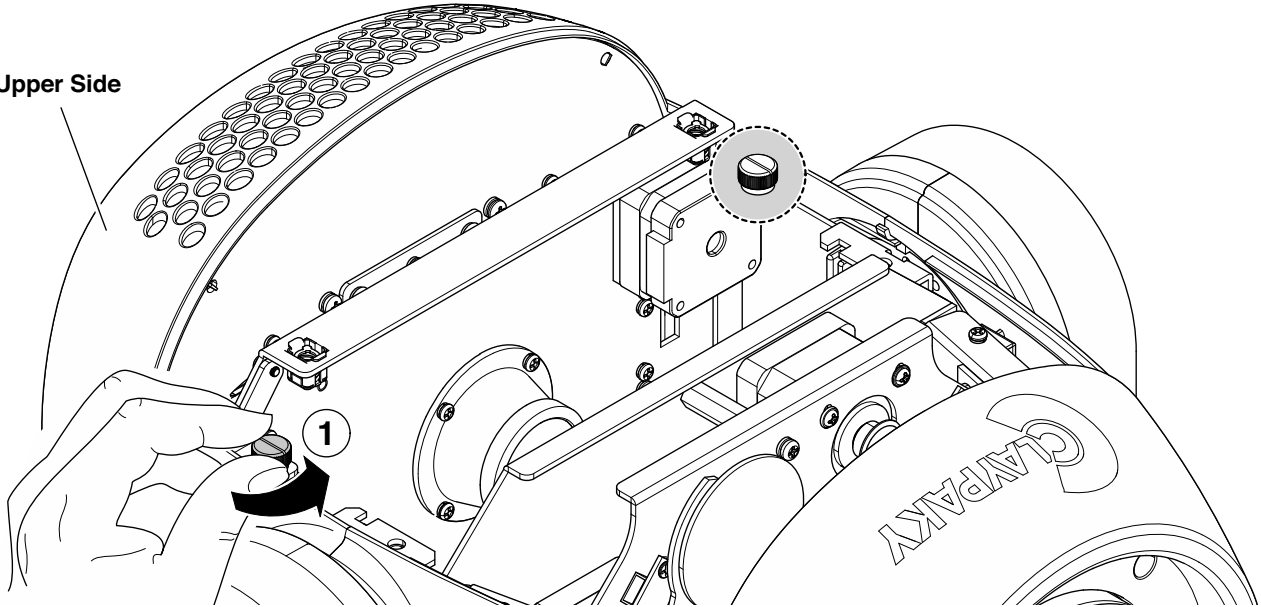


Extraction of the effect modules - Fig. 17

**IMPORTANT:** Grasp the modules using the support structure and not the details which could get damaged.

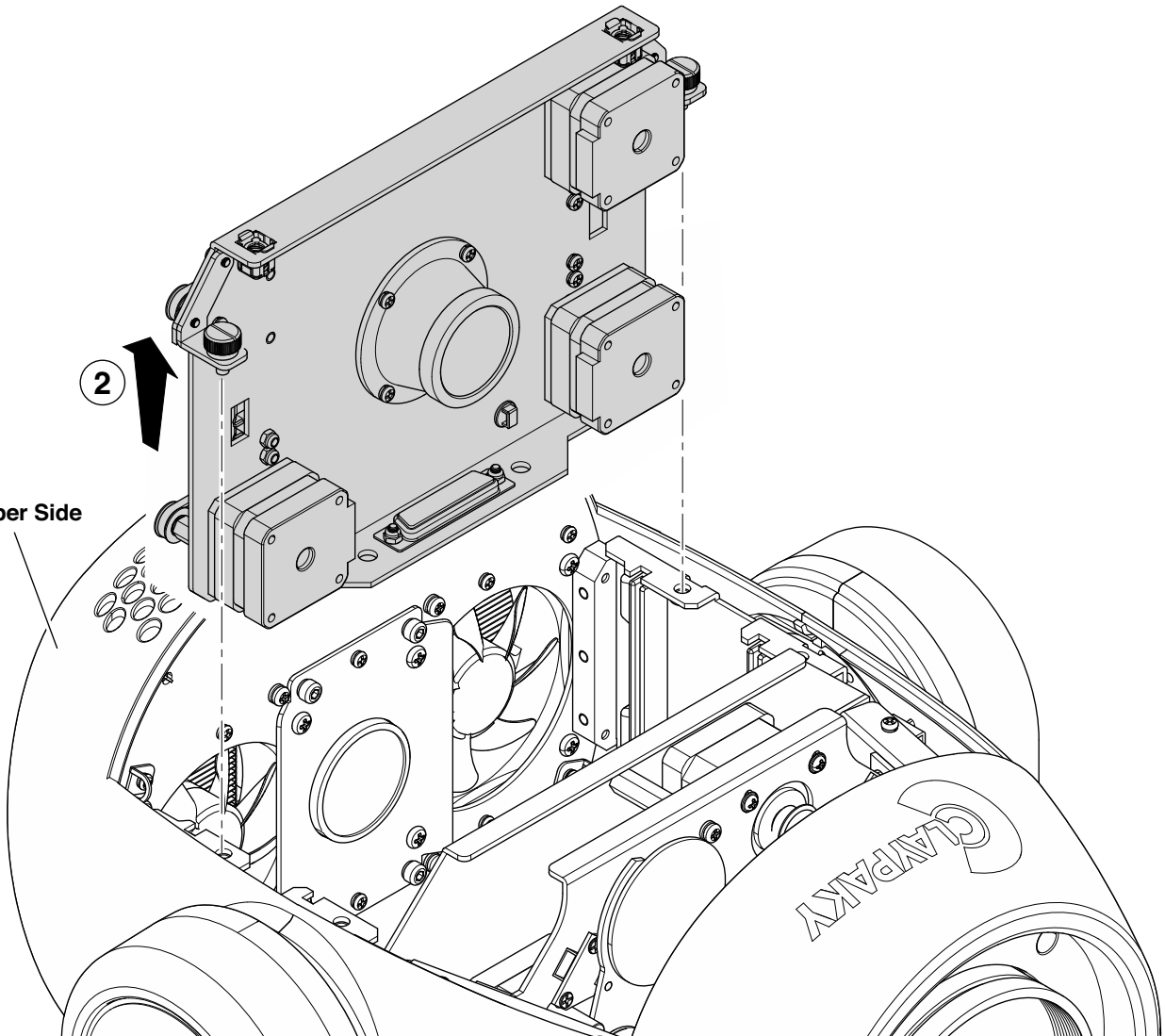
**Insertion of the effect modules:** Repeat the operations indicated in Fig. 17 and 18 in reverse order.

Upper Side



2

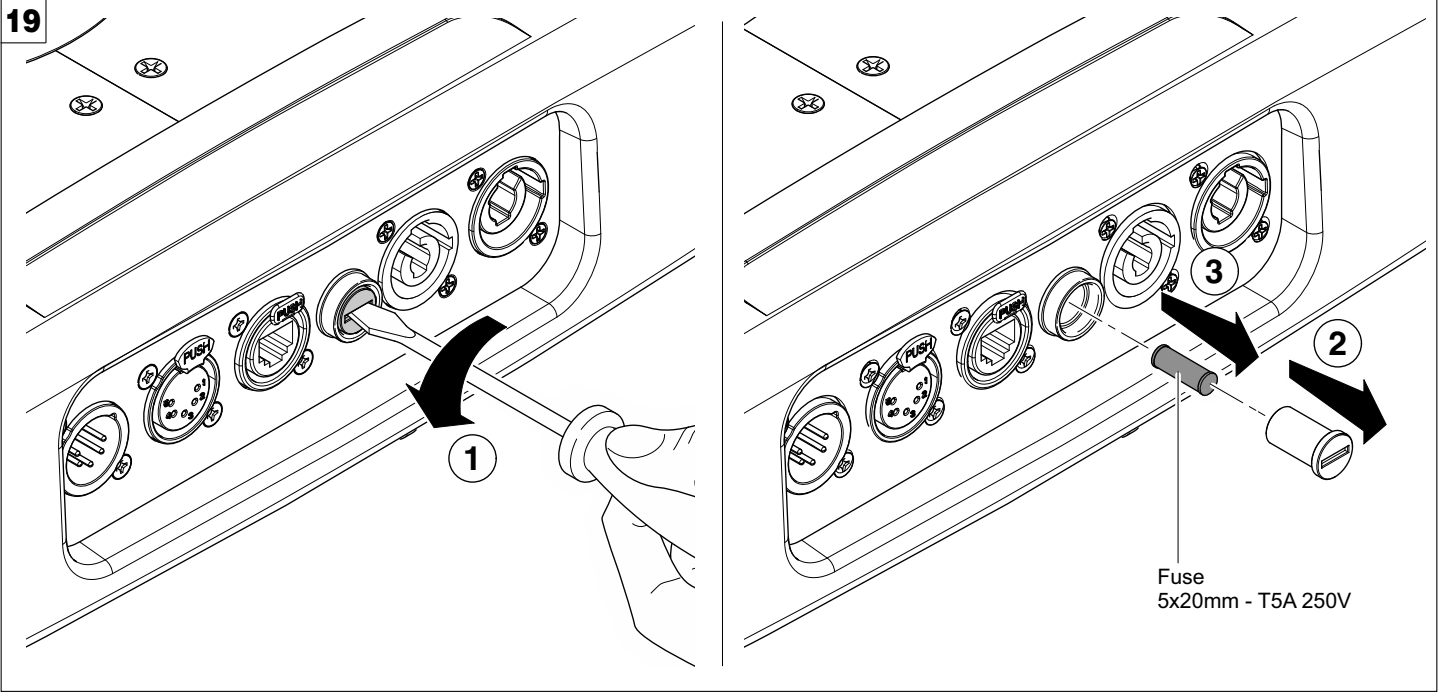
Upper Side



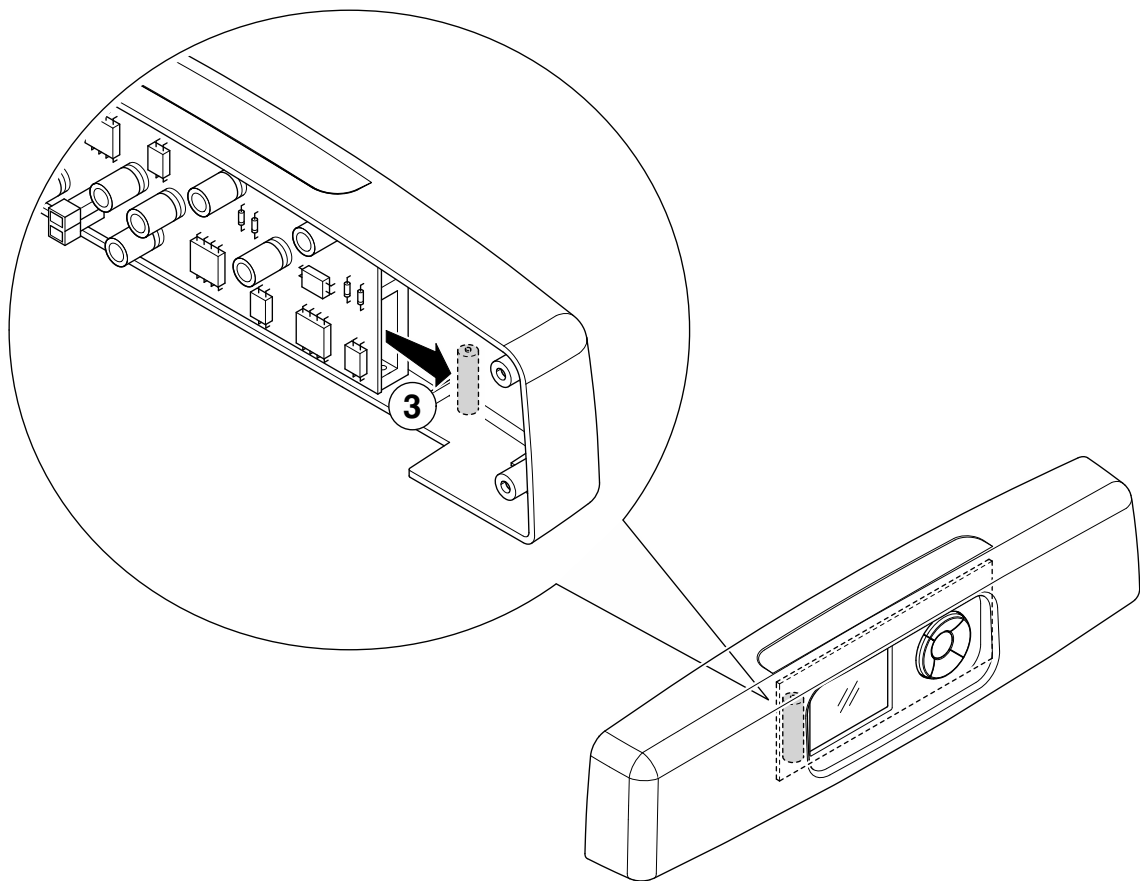
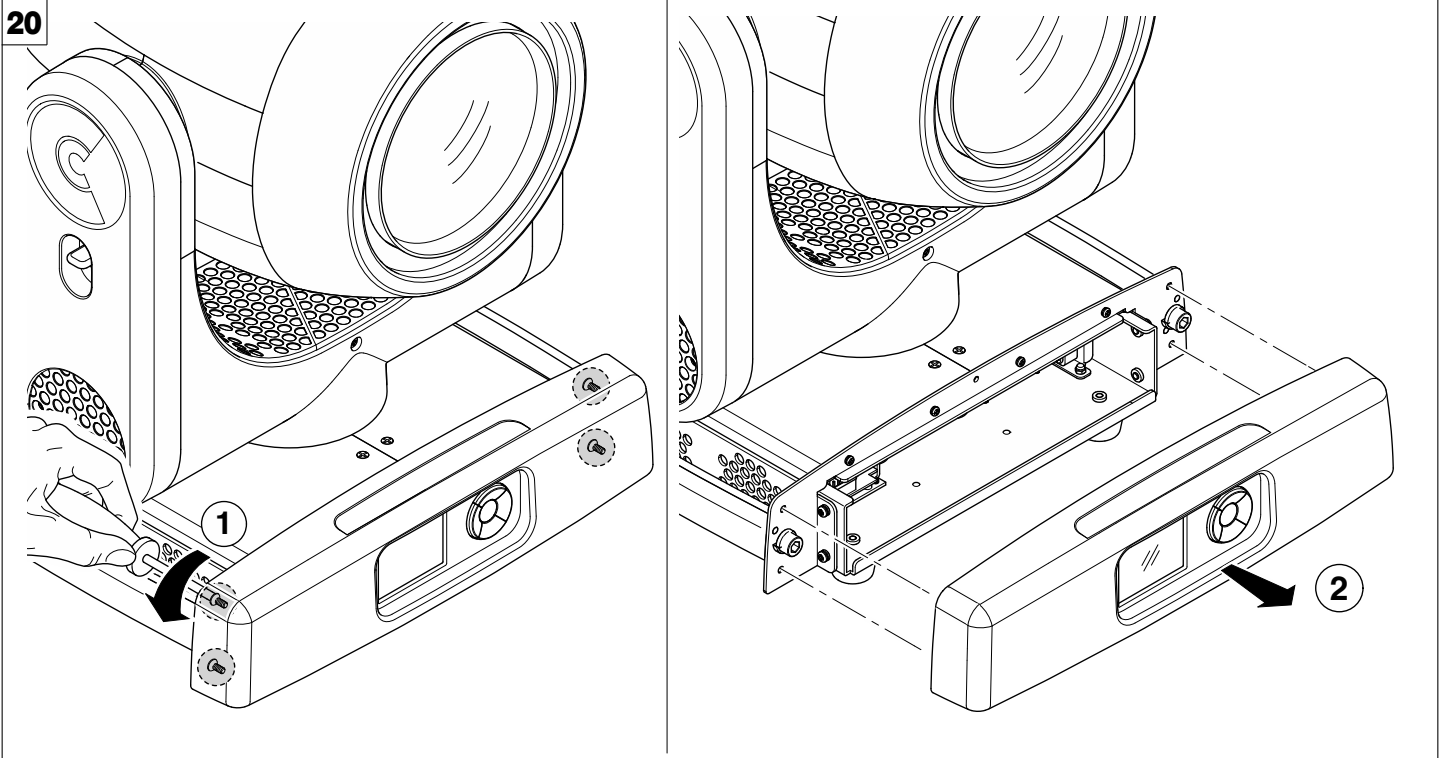
Extraction of the effect modules - Fig. 18

**IMPORTANT:** Grasp the modules using the support structure and not the details which could get damaged.

**Insertion of the effect modules:** Repeat the operations indicated in Fig. 17 and 18 in reverse order.



Replacing fuse - Fig. 19

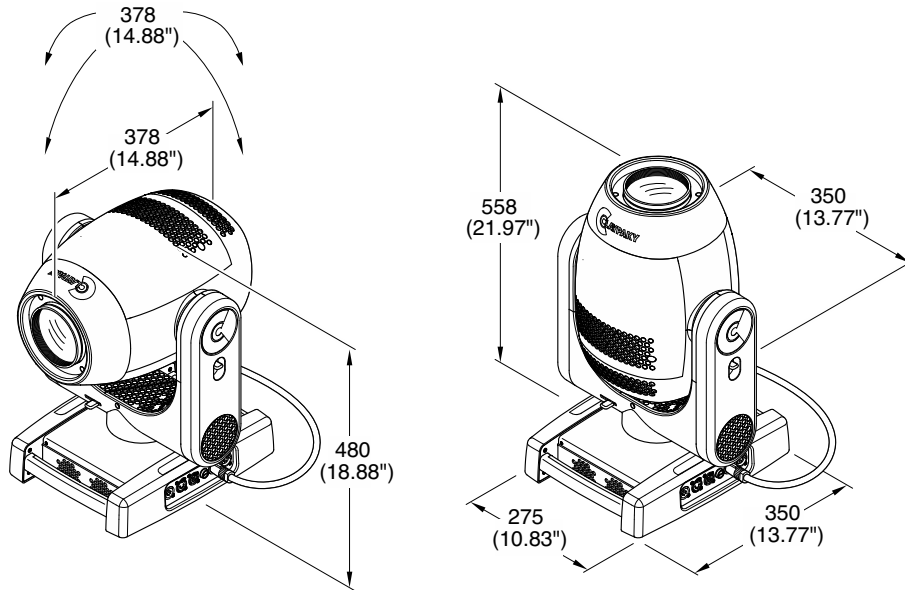


**Battery removal - Fig. 20**



This product contains a rechargeable battery. To preserve the environment, please dispose the battery at the end of its life according to the regulation in force.

## TECHNICAL INFORMATION



### POWER SUPPLIES

AC power input Neutrik PowerCON  
100-240V, 50/60 Hz

### TOTAL LUMEN OUTPUT

7000 lumens

### INPUT POWER

340 VA @230Vac - 50Hz

### LIGHT SOURCE

180W White LED engine (7000 K)

### MOTORS

Stepper motors, operating with micro-steps,  
totally microprocessor controlled

### CHANNELS

23 control channels

### INPUTS

DMX 512 - Ethernet

### IP RATING

**IP 20** - Protected against the entry of solid bodies larger than 12mm (0.47"); No protection against the entry of liquids.

### THERMAL SPECIFICATIONS

Minimum distance of illuminated objects 3 meters (9' 10")  
Minimum distance from flammable materials 0.2 meters (8")  
Max ambient temperature 40°C (104°F)  
Max temperature of the external surface 90°C (194°F)  
Forced ventilation with axial fans

### OPTICS

8°-40° linear zoom  
Motorised focus lens

### ELECTRONICS

Long life self-charging buffer battery  
Function reset from the lighting desk  
"AUTOTEST" function from menu  
Electronic monitoring with status error  
Cooling system monitoring  
DMX level monitoring on all channels  
Internal data transmission diagnostics  
Firmware Upgrade via Web Server  
Firmware upload from another fixture  
Protocols/Functions: RDM, Web Server

### EFFECTS SECTION

CMY System  
One color wheel with 7 colors (including 1 CTO filter)  
One wheel with 7 rotating gobos  
One wheel with 10 fixed gobos  
Rotating 4-facet prism  
Mechanical Iris  
Frost filter

### CONTROL AND PROGRAMMING

DMX 512 control channels 23  
Control signal USITT DMX 512  
Protocols RDM, WebServer  
Display Graphic LCD backlit b/w Display  
Display battery self-charging buffer battery  
16-bit Electronic Dimmer with 4 curves  
Electronic strobe@24 f/sec

### Pan/Tilt Resolution 16 bit

Dimmer Resolution 16 bit

DMX signal connection 5 pole XLR input and output

### BODY

Aluminum and steel structure with plastic covers  
Two side handles for transportation  
Device locking PAN and TILT mechanisms for transportation and maintenance

### MOVING BODY

PAN range 540°  
TILT range 270°

### WORKING POSITION

Working in any position  
Hanging system: with fast-lock omega clamps (1/4 turn) on the base

### CE MARKING

In conformity with the European Directives:

- 2014/35/EU - Safety of electrical equipment supplied at low voltage (LVD)
- 2014/30/EU - Electromagnetic Compatibility (EMC)
- 2011/65/EU - Restriction of the use of certain hazardous substances (RoHS)
- 2009/125/EC - EcoDesign requirements for Energy-related Products (ErP)

### WEIGHT & DIMENSIONS

20.2 Kg (44.53 lbs)

## CAUSE AND SOLUTION OF PROBLEMS

THE PROJECTOR WILL NOT SWITCH ON				<b>PROBLEMS</b>
ELECTRONICS NON-OPERATIONAL				
DEFECTIVE PROJECTION				
REDUCED LUMINOSITY				
		<b>POSSIBLE CAUSES</b>	<b>CHECKS AND REMEDIES</b>	
●		No mains supply.	Check the power supply voltage.	
●	●	Light source exhausted or defective.	Replace the light source.	
●		Signal transmission cable faulty or disconnected.	Replace the cables.	
●		Incorrect addressing.	Check addresses (see instructions).	
●		Fault in the electronic circuits.	Call an authorised technician.	
	●	Lenses broken	Call an authorised technician.	
	● ●	Dust or grease deposited.	Clean (see instructions).	

