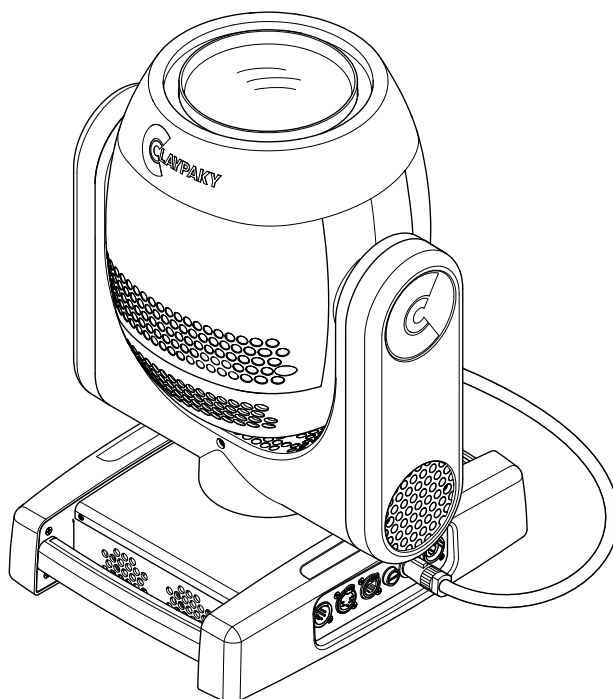


INSTRUCTION MANUAL



INDEX

Page	Contents
2	Safety Information
3	Unpacking and preparation
4	Installation and start-up
5	Control panel
7	Maintenance
12	Technical information
12	Cause and solution of problems

Congratulations on choosing a Claypaky product!

We thank you for your custom.

Please note that this product, as all the others in the rich Claypaky range, has been designed and made with total quality to ensure excellent performance and best meet your expectations and requirements.

SAFETY INFORMATION

EN

SAFETY INFORMATION

IMPORTANT: Claypaky recommends you carefully read and keep the safety information on this product, also available in digital format at the following link:

www.claypaky.com

Ref: [FIS01A – Safety Information Axcor 300 series]

IT

INFORMAZIONI DI SICUREZZA

IMPORTANTE: Claypaky raccomanda di leggere accuratamente e conservare le informazioni di sicurezza relative a questo prodotto, sempre reperibili in versione digitale al seguente link:

www.claypaky.com

Rif: [FIS01A – Safety Information Axcor 300 series]

DE

INFORMATIONEN ZUR SICHERHEIT

WICHTIG: Claypaky empfiehlt, die Sicherheitsinformationen bezüglich dieses Produkts genau zu lesen und aufzubewahren. Sie sind in Digitalversion immer unter folgendem Link auffindbar:

www.claypaky.com

Ref: [FIS01A – Safety Information Axcor 300 series]

ES

INFORMACIONES DE SEGURIDAD

IMPORTANTE: Claypaky recomienda leer detenidamente y conservar la información de seguridad relativa a este producto. Además, está disponible una versión digital de la misma en el siguiente enlace:

www.claypaky.com

Ref: [FIS01A – Safety Information Axcor 300 series]

FR

CONSIGNES DE SÉCURITÉ

IMPORTANT: Claypaky recommande de lire attentivement et de conserver les informations de sécurité relatives à ce produit, disponibles en version digitale au lien suivant:

www.claypaky.com

Réf. : [FIS01A – Safety Information Axcor 300 series]

RU

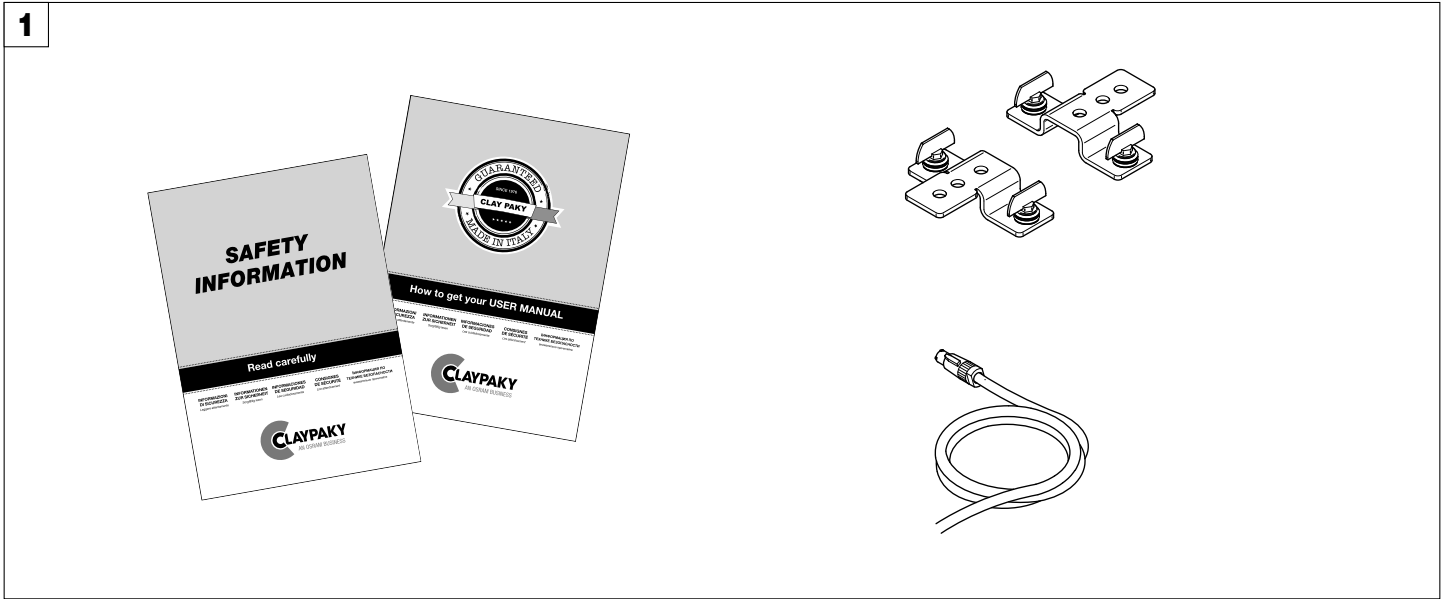
ИНСТРУКЦИЮ ПО ТЕХНИКЕ БЕЗОПАСНОСТИ

ВАЖНО: Claypaky рекомендует внимательно прочитать и сохранить инструкцию по технике безопасности данного изделия, которая всегда доступна в электронном формате по следующей ссылке:

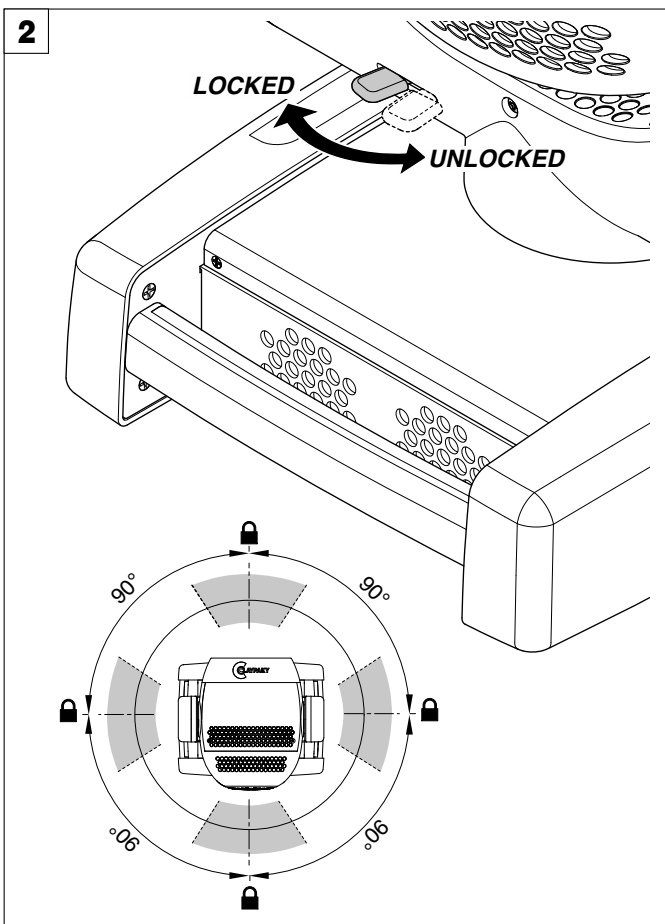
www.claypaky.com

Наименование: [FIS01A – Safety Information Axcor 300 series]

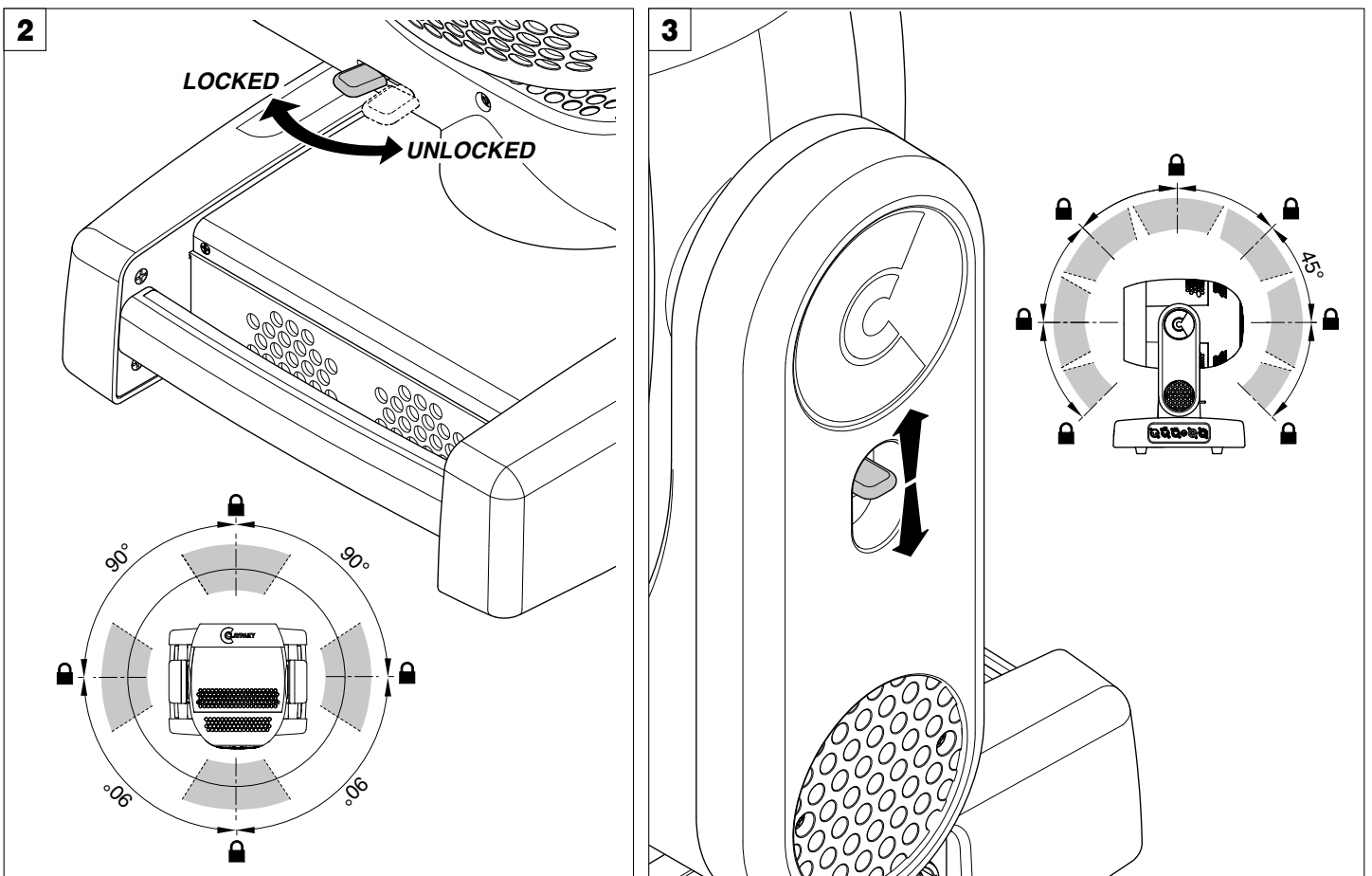
UNPACKING AND PREPARATION



Packing contents - Fig. 1

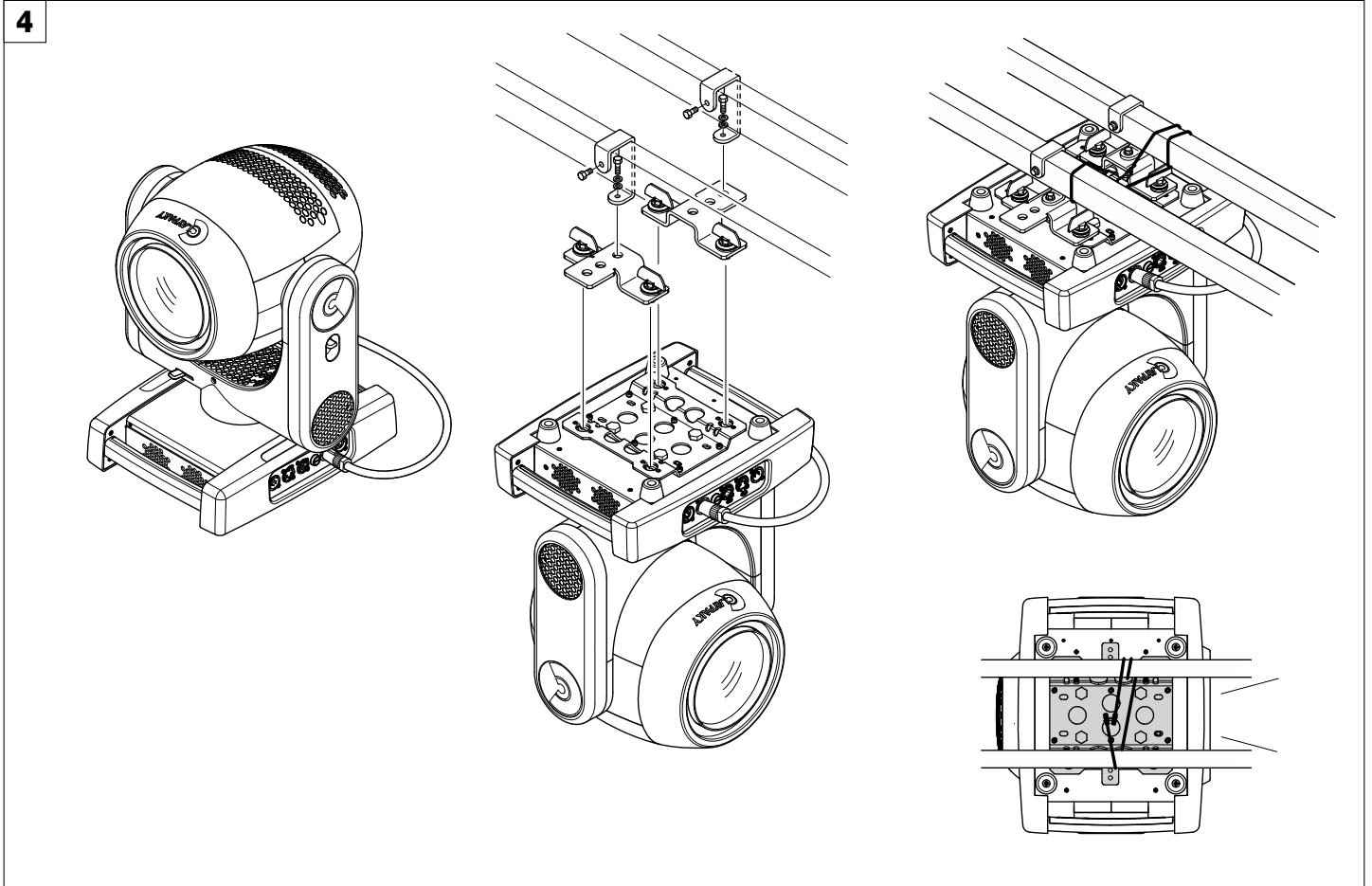


PAN Mechanism Lock and Release (every 90°) - Fig. 2



TILT Mechanism Lock and Release (every 45°) - Fig. 3

INSTALLATION AND START-UP



Installing the projector - Fig. 4

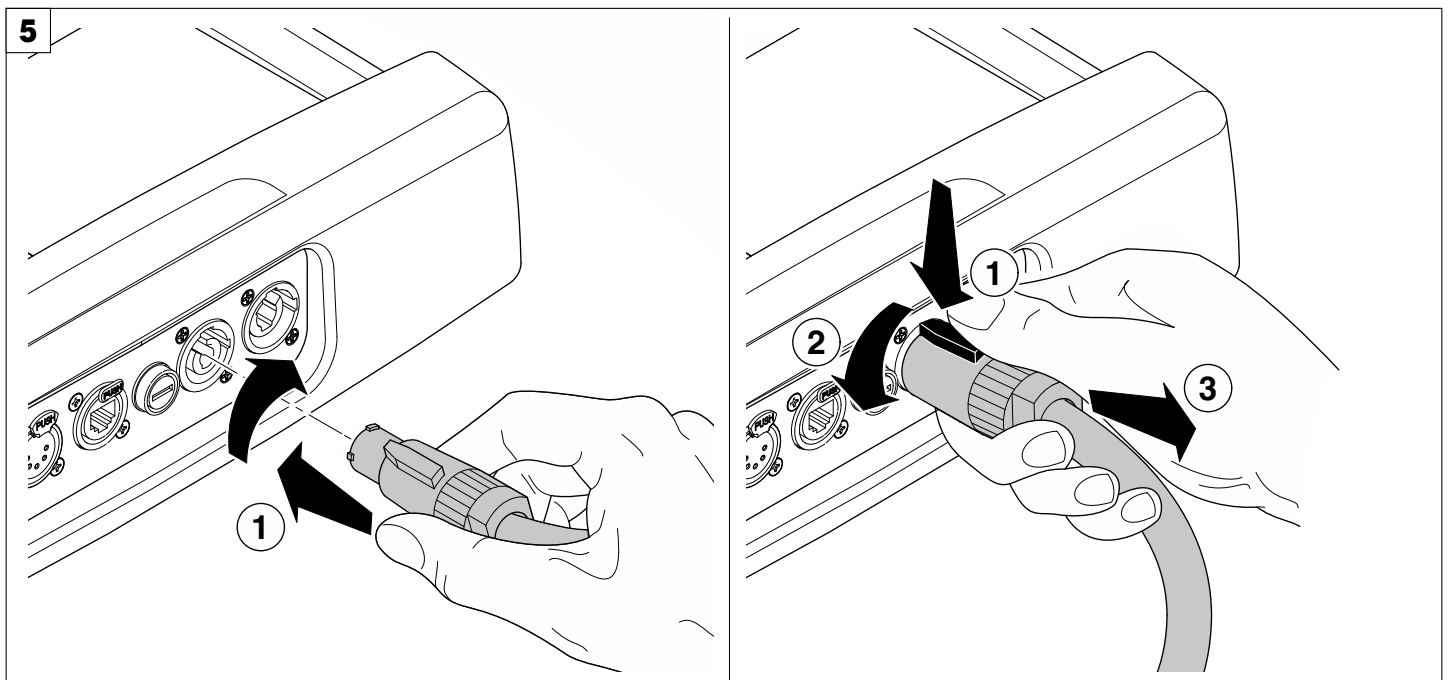
The projector can be installed on the floor resting on special rubber feet, on a truss or on the ceiling or wall.

WARNING: with the exception of when the projector is positioned on the floor, the safety cable must be fitted. (Cod. 105041/003 available on request). This must be securely fixed to the support structure of the projector and then connected to the fixing point at the centre of the base.



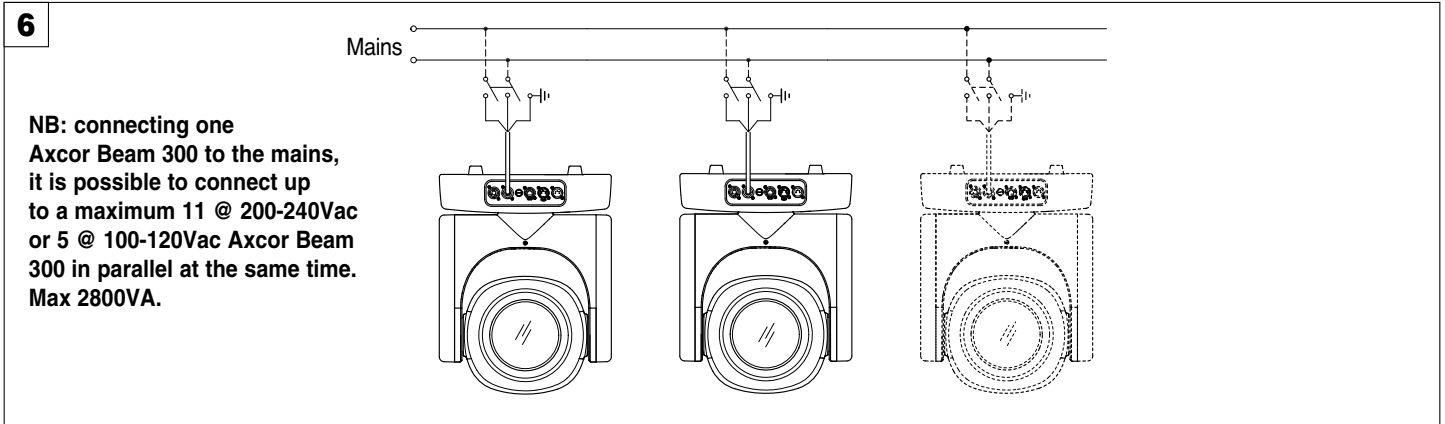
WARNING: light collimation system

This product contains internal light collimation system.
Avoid intense light from any angle.

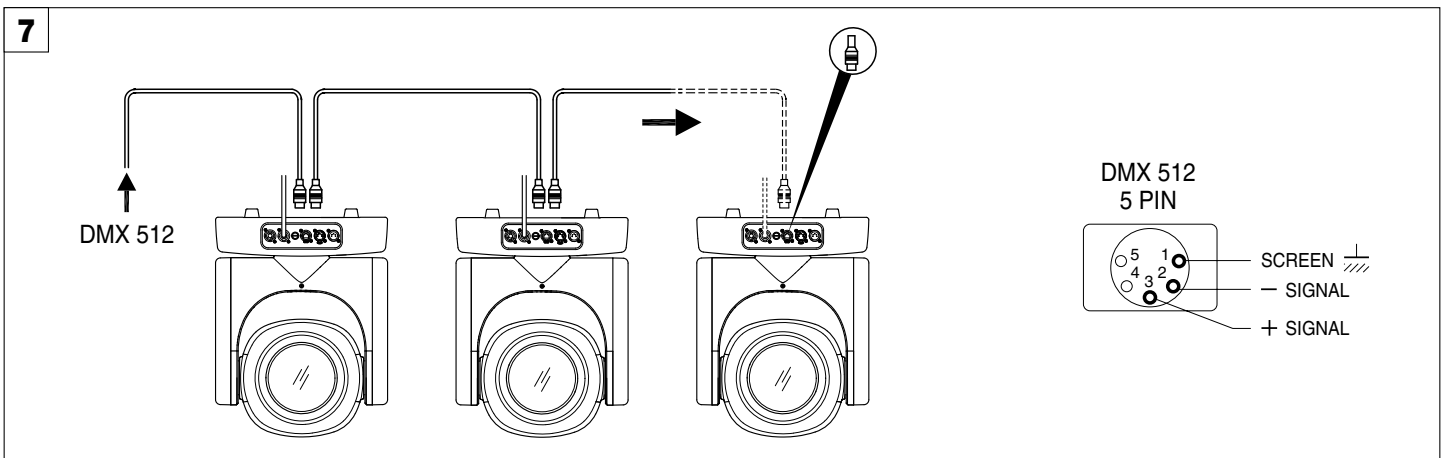


Connecting and disconnecting power cable - Fig. 5

CONTROL PANEL



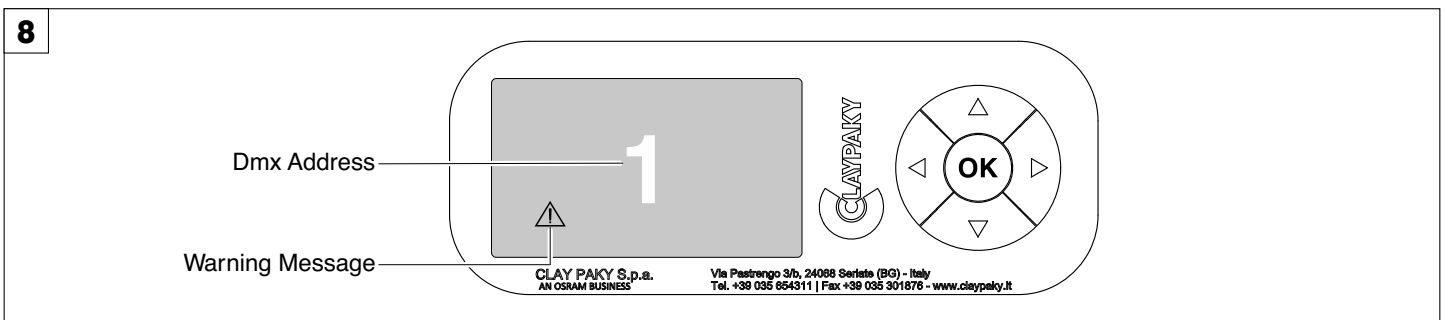
Connecting to the mains supply - Fig. 6



Connecting to the control signal line (DMX) - Fig. 7

Use a cable conforming to specifications EIA RS-485: 2-pole twisted, shielded, 120Ohm characteristic impedance, 22-24 AWG, low capacity. Do not use microphone cable or other cable with characteristics differing from those specified. The end connections must be made using XLR type 5-pin male/female connectors. A terminating plug must be inserted into the last projector with a resistance of 120Ohm (minimum 1/4 W) between terminals 2 and 3.

IMPORTANT: The wires must not make contact with each other or with the metal casing of the connectors. The casing itself must be connected to the shield braid and to pin 1 of the connectors.



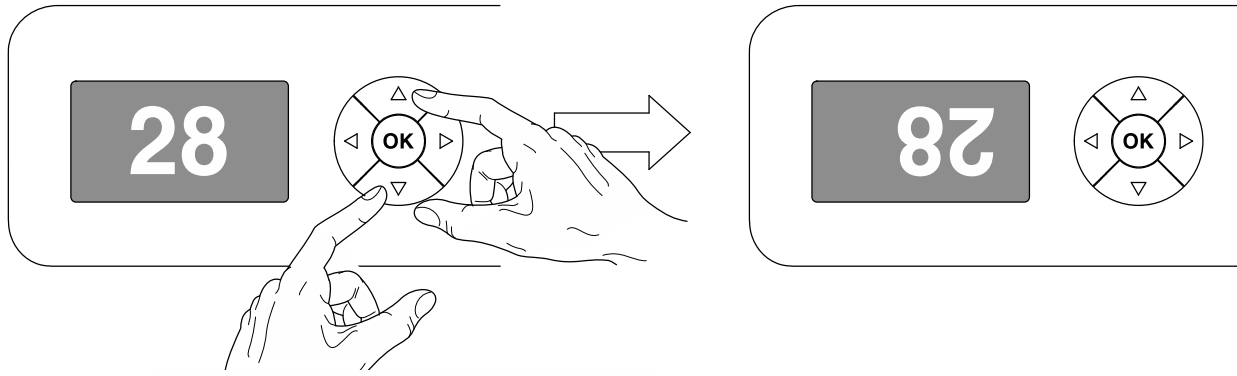
Switching on the projector - Fig. 8

Press the switch. The projector starts resetting the effects. At the same time, the following information scrolls on the display:

	Model Axcor Beam 300	Firmware Version X.X.X Date	Axcor Beam 300 Dmx Address xxx	System errors E: W:
--	-----------------------------------	--	--	--

On conclusion of resetting in case of absence of the dmx signal, Pan and Tilt move to the "Home" position (Pan 128 bit - Tilt 128 bit). The control panel (Fig. 8) has a display and buttons for the complete programming and management of the projector menu. The display can be in one of two conditions: rest status and setting status. When it is in the rest status, the display shows the projector's DMX address.

During menu setting status, after a wait time (about 30 seconds) without any key having been pressed, the display automatically returns to rest status. It should be noted that when this condition occurs, any possible value that has been modified but not yet confirmed with the **OK** key will be cancelled.



Reversal of the display - Fig. 9

To activate this function, press UP ▲ and DOWN ▼ keys simultaneously while the display is in the rest mode. This status will be memorised and maintained even for the next time it will be switched on. To return to the initial state, repeat the operation all over again.

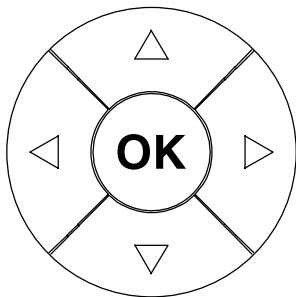
Setting the projector starting address

On each projector, the starting address must be set for the control signal (addresses from 1 to 512).

The address can also be set with the projector switched off.

If there is no DMX input signal, the display will show "No signal".

Functions of the buttons - Using the menu



Confirms the displayed value, or activates the displayed function, or enters the successive menu.



DOWN

Decreases the value displayed (with auto-repetitions) or passes to the next item in the menu.



UP

Increases the value displayed (with auto-repetitions) or passes to the previous item in a menu.



LEFT

Return to the top level



RIGHT

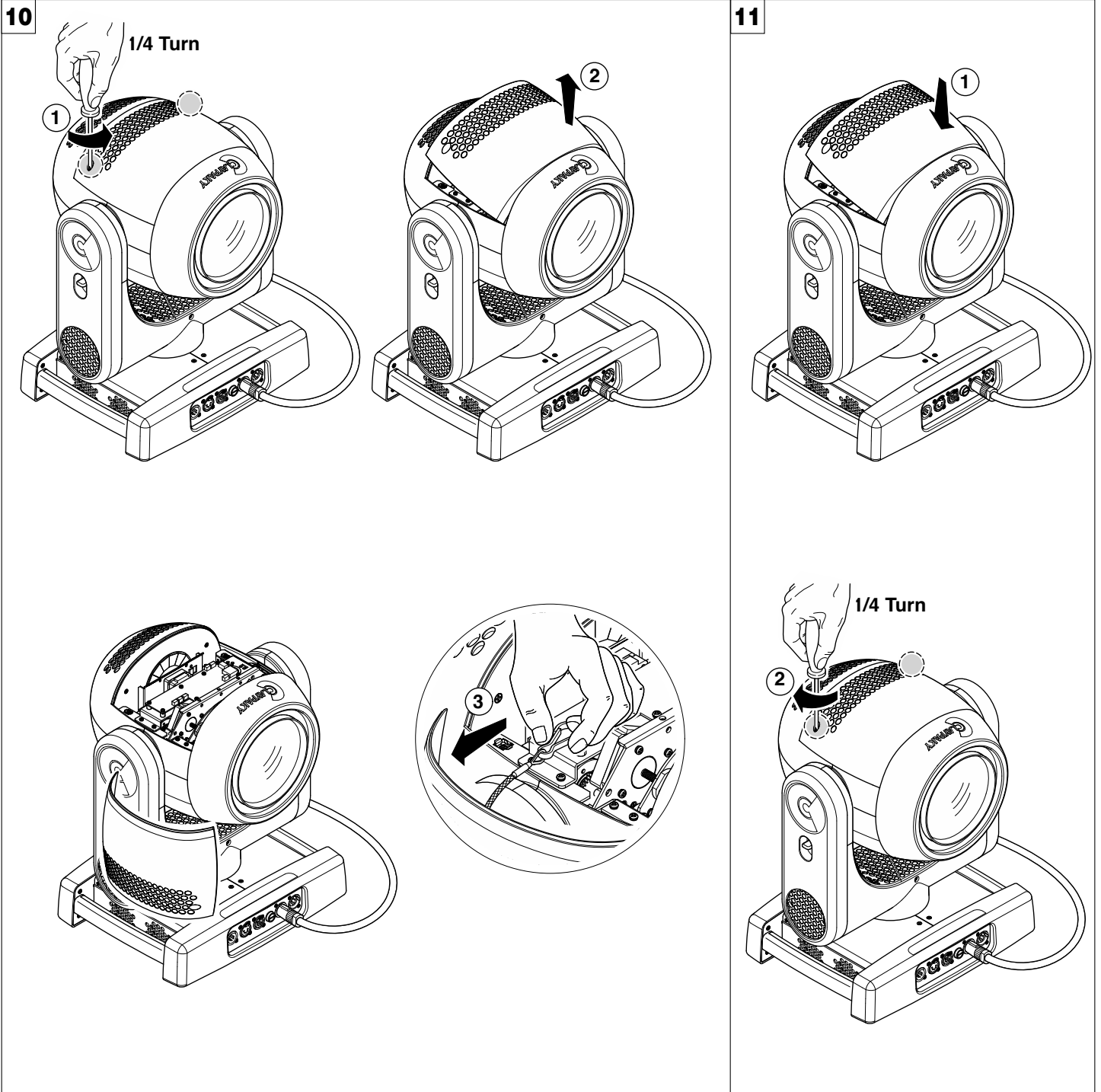
Commute from units, tens, hundreds, in the "Address" and "Calibration" menu.

USING THE MENU:

- 1) Press LEFT ◀ once – "Main Menu" appears on the display.
- 2) Use the UP ▲ and DOWN ▼ keys to select the menu to be used:
 - Setup (Setup Menu): To set the setting options.
 - Option (Option Menu): To set the operating options
 - Informations (Informations Menu): To read the counters, software version and other information.
 - Manual Control (Manual control Menu): To trigger the test and manual control functions.
 - Test (Test Menu): To check the proper functioning of effects
 - Advanced (Advanced Menu): Access to the "Advanced menu" is recommended for a trained technical personnel.
- 3) Press OK ⊞ to display the first item in the selected menu.
- 4) Use the UP ▲ and DOWN ▼ keys to select the MENU items.

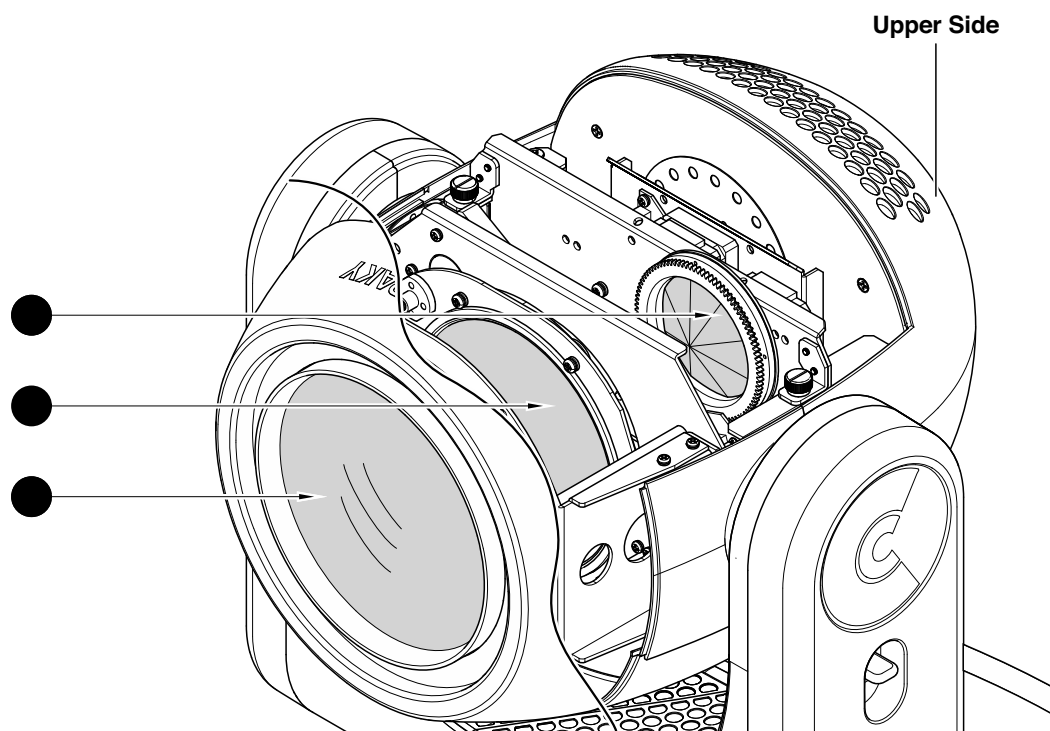
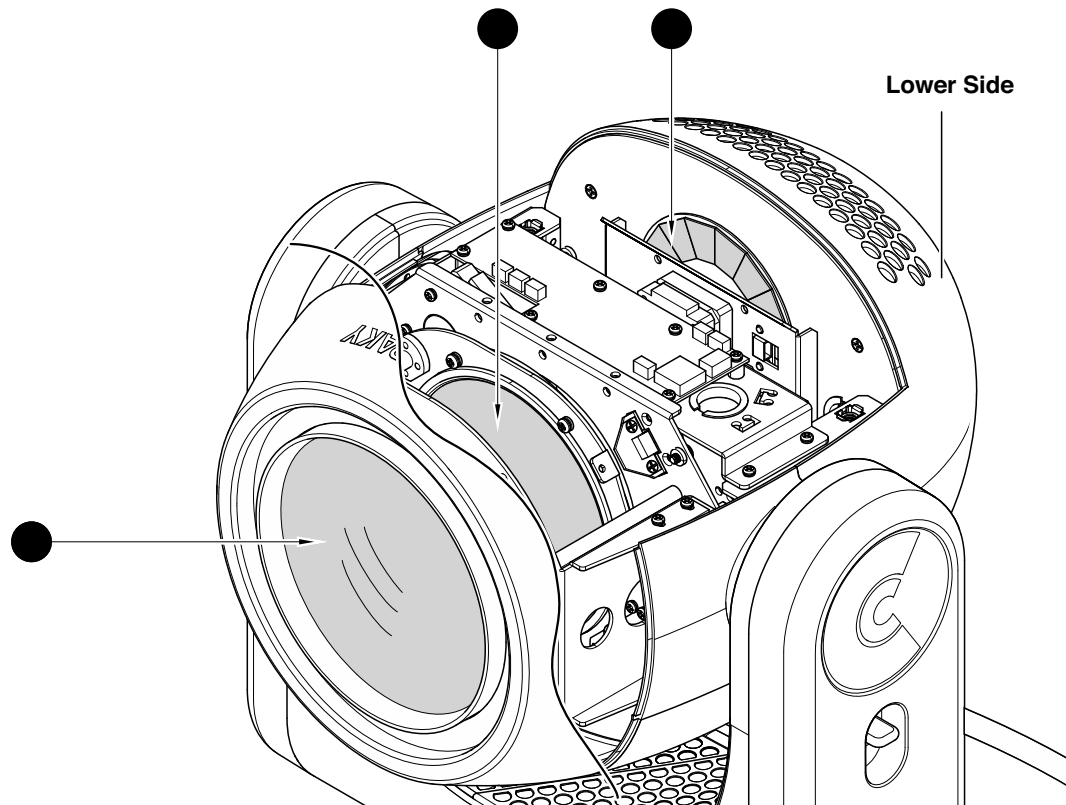
Setting addresses and options with the projector disconnected

The projector's DMX address, as well as other possible operating options, can also be set when the appliance is disconnected from the electricity supply. All that is needed is to press RIGHT ▶ to momentarily activate the display and thus access the settings. Once the required operations have been carried out, the display will switch off again after a wait time of 30 seconds.



Locking and releasing Pan and Tilt movements - Refer to the instructions in the UNPACKING AND PREPARATION section.
 Opening the head covers - Fig. 10.

Closing the head covers - Fig. 11.



● Parts requiring frequent cleaning.

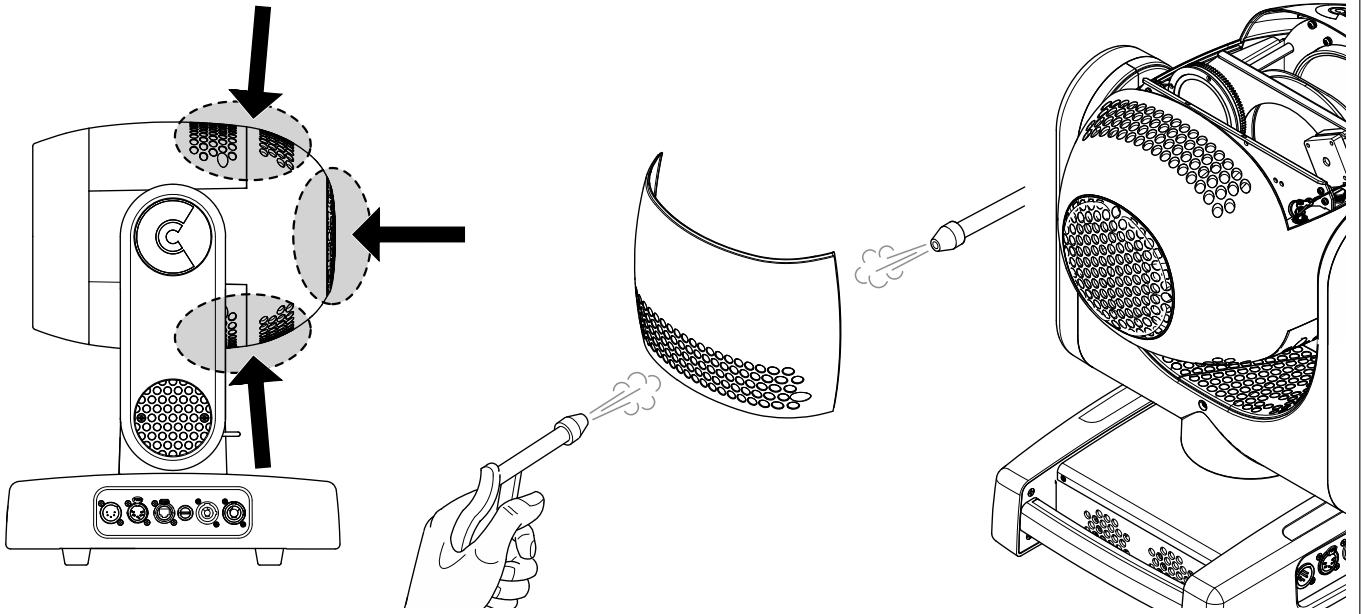
Periodical cleaning - Fig. 12

To ensure optimal operation and performance for a long time it is essential to periodically clean the parts subject to dust and grease deposits. The frequency with which the following operations are to be carried out depends on various factors, such as the amount of the effects and the quality of the working environment (air humidity, presence of dust, salinity, etc.).

Use a soft cloth dampened with any detergent liquid for cleaning glass to remove the dirt from lenses and filters. It is recommended that the projector undergoes an annual service by a qualified technician for special maintenance involving at least the following operations:

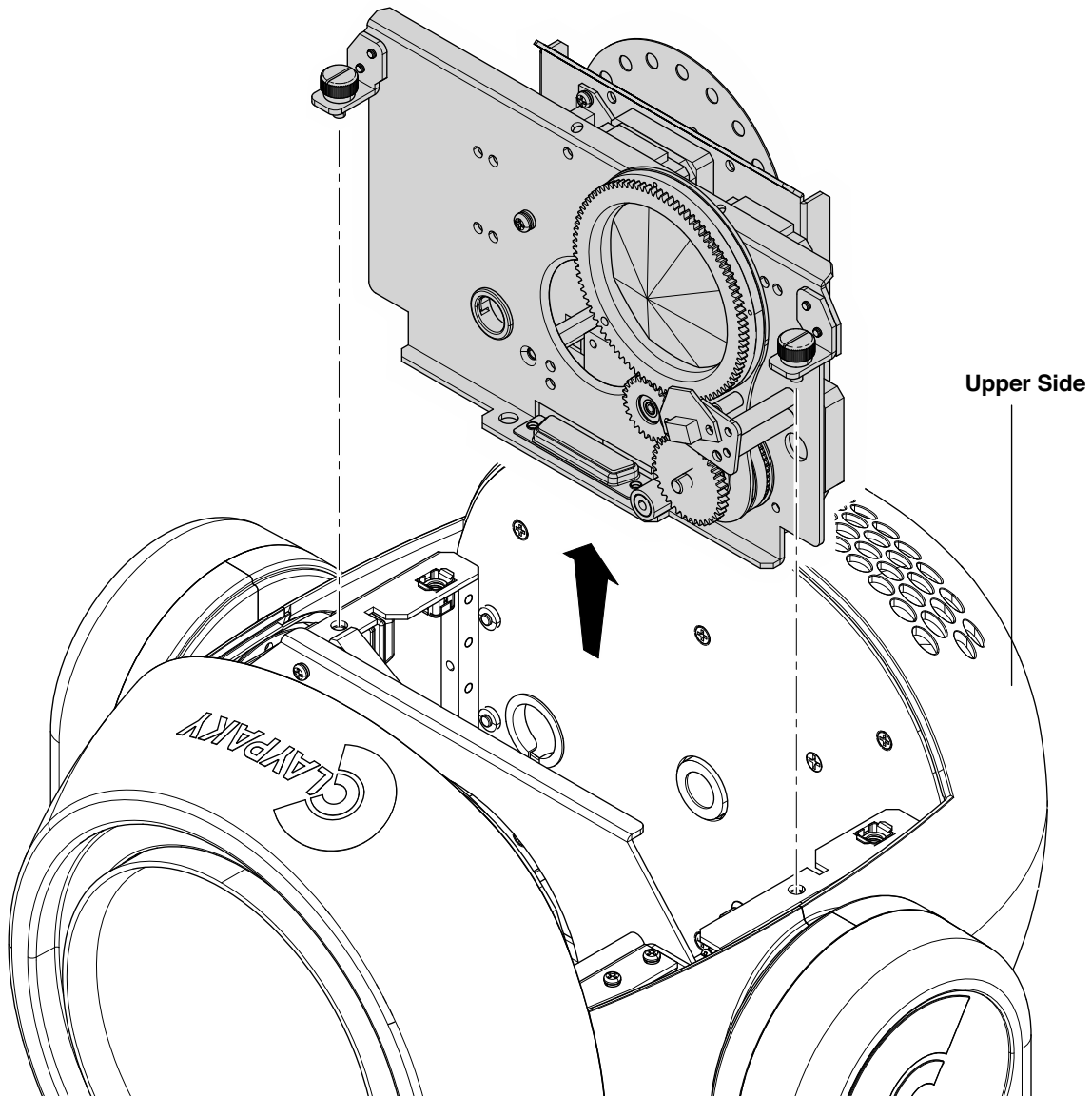
- General cleaning of internal parts.
- Restoring lubrication of all parts subject to friction, using lubricants specifically supplied by Claypaky.
- General visual check of the internal components, cabling, mechanical parts, etc.
- Electrical, photometric and functional checks; eventual repairs.

13



Cleaning of the filters - Fig. 13

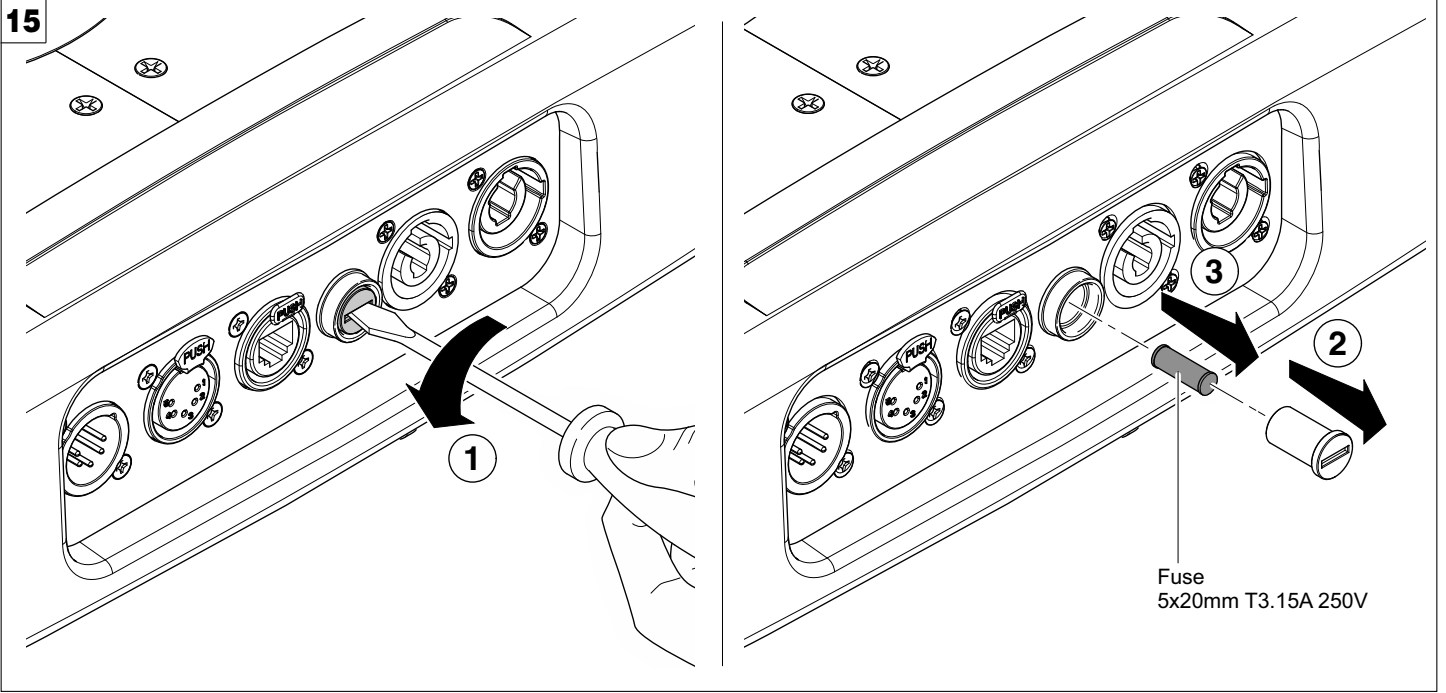
14



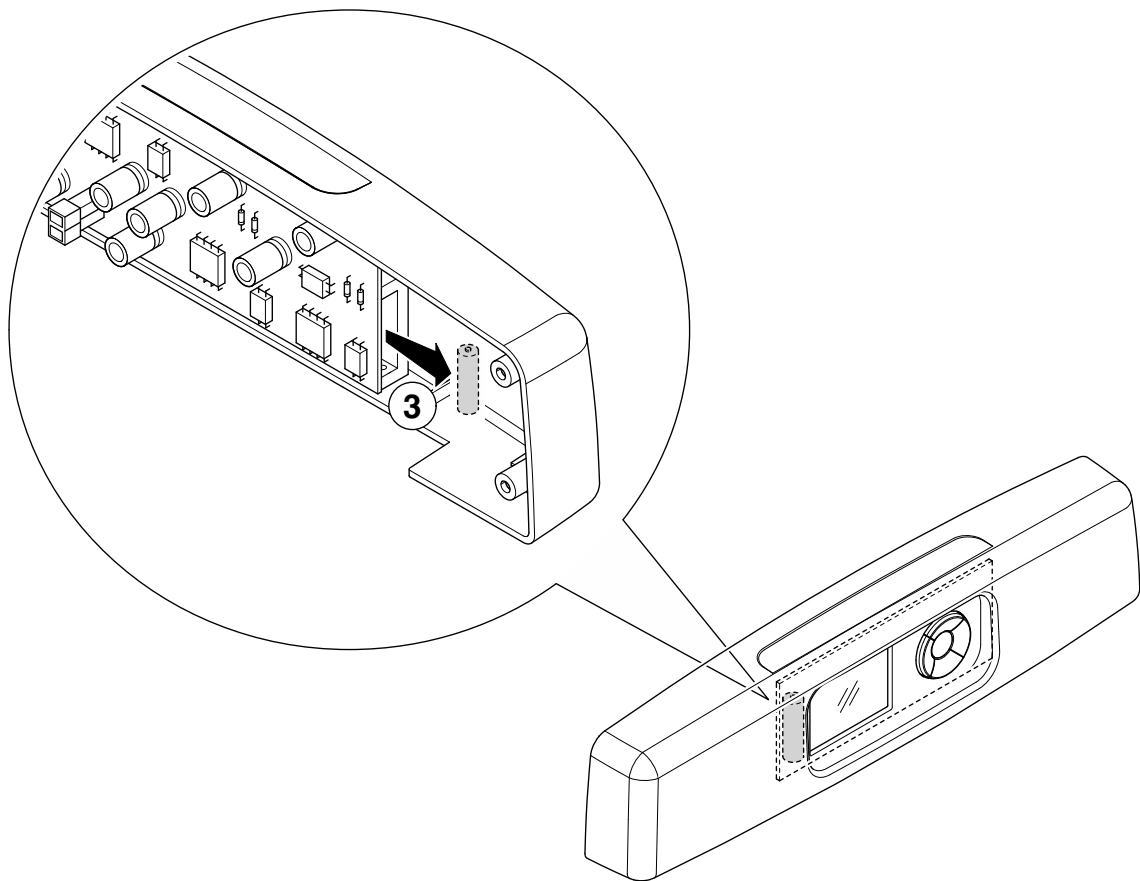
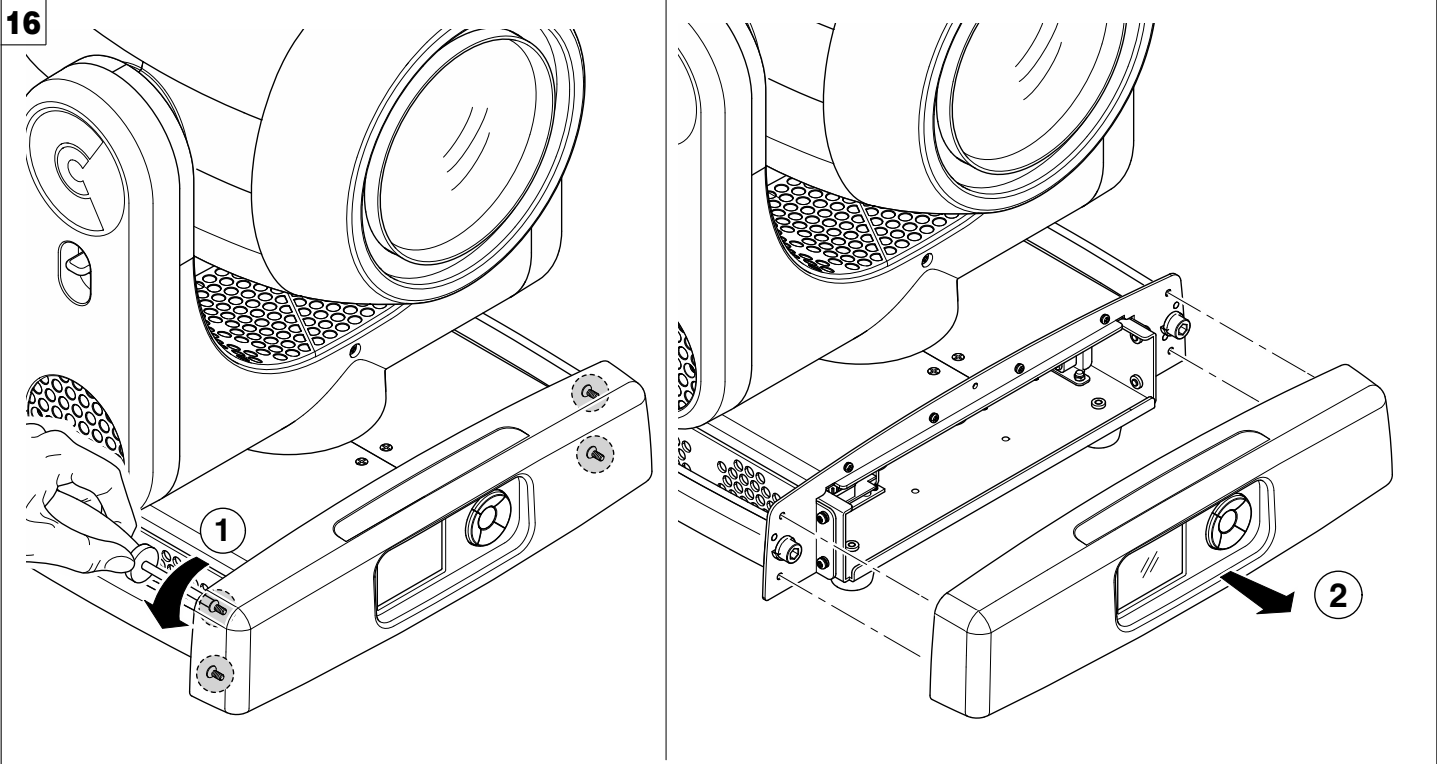
Extraction of the effect modules - Fig. 14

IMPORTANT: Grasp the modules using the support structure and not the details which could get damaged.

Insertion of the effect modules: Repeat the operations indicated in Fig. 14 in reverse order.



Replacing fuse - Fig. 15

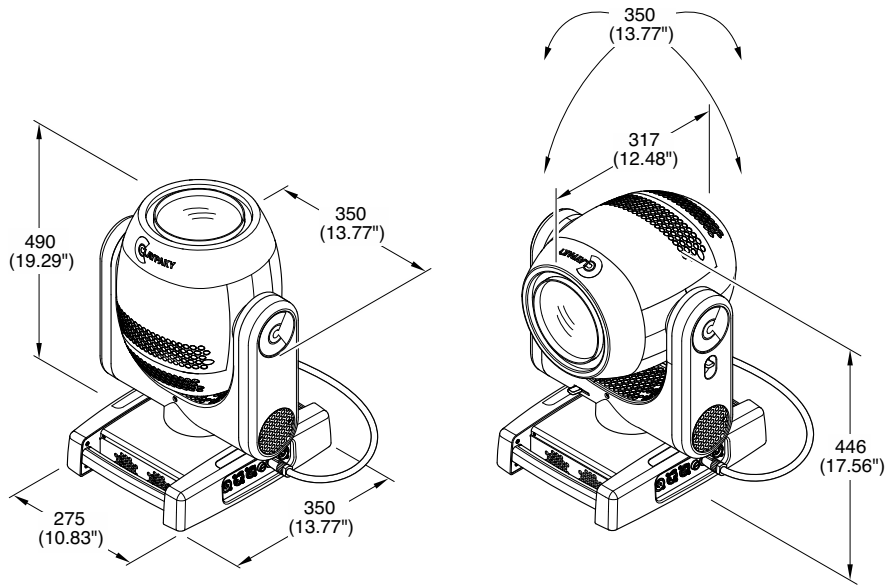


Battery removal - Fig. 16



This product contains a rechargeable battery. To preserve the environment, please dispose the battery at the end of its life according to the regulation in force.

TECHNICAL INFORMATION



POWER SUPPLIES

AC power input Neutrik PowerCON
100-240V, 50/60 Hz

TOTAL LUMEN OUTPUT

1800 lumens

INPUT POWER

215 VA @230Vac - 50Hz

LIGHT SOURCE

110W White LED engine (7600 K)

MOTORS

Stepper motors, operating with micro-steps, totally microprocessor controlled

CHANNELS

14/16 control channels

INPUTS

DMX 512 - Ethernet

IP RATING

IP 20 - Protected against the entry of solid bodies larger than 12mm (0.47"); No protection against the entry of liquids.

THERMAL SPECIFICATIONS

Minimum distance of illuminated objects 3 meters (9' 10")
Minimum distance from flammable materials 0.2 meters (8")

Max ambient temperature 40°C (104°F)
Max temperature of the external surface 90°C (194°F)
Forced ventilation with axial fans

OPTICS

Ø 140mm front lens
Beam aperture: 2°
Motorised focus lens

ELECTRONICS

Long life self-charging buffer battery
Function reset from the lighting desk
"AUTOTEST" function from menu
Electronic monitoring with status error
Cooling system monitoring
DMX level monitoring on all channels
Internal data transmission diagnostics
Firmware Upgrade via Web Server
Firmware upload from another fixture
Protocols/Functions: RDM, Web Server

EFFECTS SECTION

One color wheel with 14 Colors
One gobo wheel with 17 Gobos
Rotating 8-facet Prism

CONTROL AND PROGRAMMING

DMX 512 control channels 14/16
Control signal USITT DMX 512
Protocols RDM, WebServer
Display Graphic LCD backlit b/w Display
Display battery self-charging buffer battery

16-bit Electronic Dimmer with 4 curves
Electronic strobe@24 f/sec
Pan/Tilt Resolution 16 bit
Dimmer Resolution 16 bit
DMX signal connection 5 pole XLR input and output

BODY

Aluminum and steel structure with plastic covers
Two side handles for transportation
Device locking PAN and TILT mechanisms for transportation and maintenance

MOVING BODY

PAN range 540°
TILT range 270°

WORKING POSITION

Working in any position
Hanging system: with fast-lock omega clamps (1/4 turn) on the base

CE MARKING

In conformity with the European Directives:

- 2014/35/EU - Safety of electrical equipment supplied at low voltage (LVD)
- 2014/30/EU - Electromagnetic Compatibility (EMC)
- 2011/65/EU - Restriction of the use of certain hazardous substances (RoHS)
- 2009/125/EC - EcoDesign requirements for Energy-related Products (ErP)

WEIGHT & DIMENSIONS

17.6 Kg

CAUSE AND SOLUTION OF PROBLEMS

THE PROJECTOR WILL NOT SWITCH ON				PROBLEMS
ELECTRONICS NON-OPERATIONAL				
DEFECTIVE PROJECTION				
REDUCED LUMINOSITY				
		POSSIBLE CAUSES	CHECKS AND REMEDIES	
●		No mains supply.	Check the power supply voltage.	
●	●	LED engine defective.	Replace LED engine.	
●		Signal transmission cable faulty or disconnected.	Replace the cables.	
●		Incorrect addressing.	Check addresses (see instructions).	
●		Fault in the electronic circuits.	Call an authorised technician.	
	●	Lenses broken	Call an authorised technician.	
	● ●	Dust or grease deposited.	Clean (see instructions).	