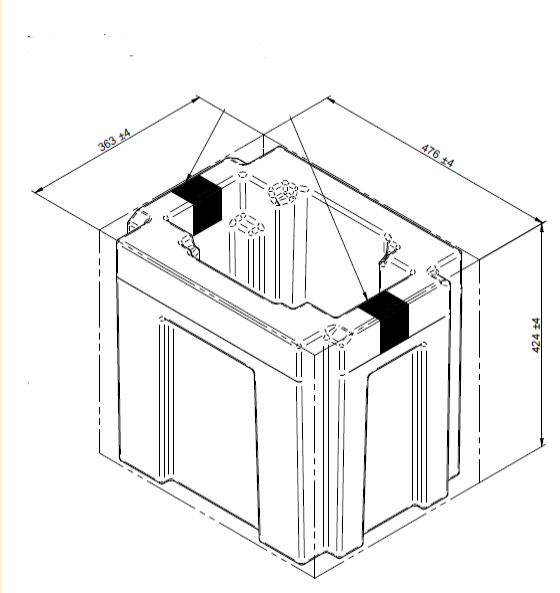
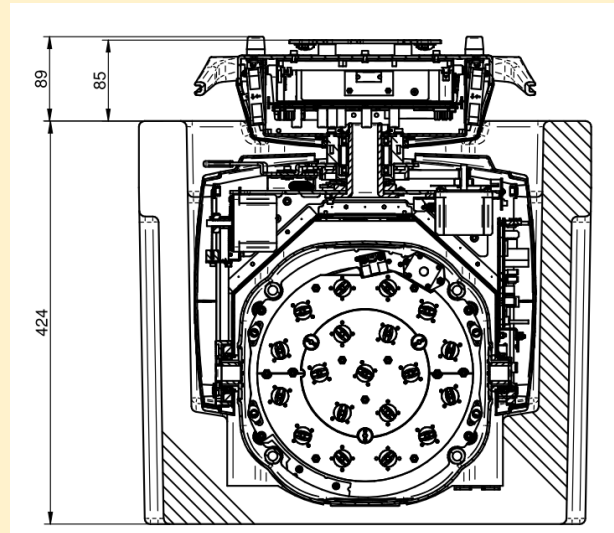


Foam Shell part number	Material	Fixture
F21293/001	EPP	A.leda B-Eye K10
F21260	PU	A.leda B-Eye K10
F21256	PU	A.leda B-Eye K10 CC A.leda B-Eye K10 Easy
F21226	PU	A.leda Wash K10 - A.leda Wash K10 CC A.leda Wash K10 TW - A.leda Wash K10 W

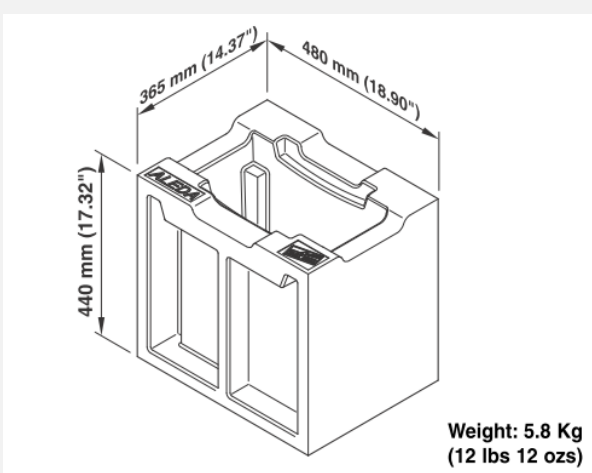
### F21293/001 Foam Shell dimensions



Weight: 2 Kg



### F21260 / F21256 / F21226 Foam Shell dimensions



Weight: 5.8 Kg  
(12 lbs 12 ozs)

