

# A.LEDA B-EYE K20

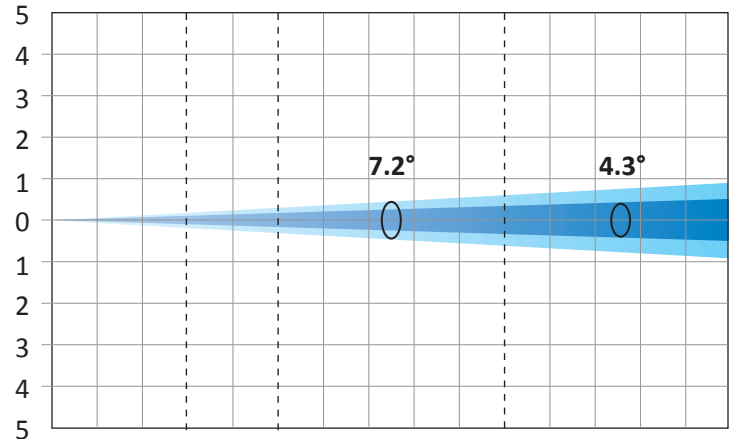
- I DIAGRAMMI FOTOMETRICI
- D FOTOMETRICHE DIAGRAMME
- GB PHOTOMETRIC DIAGRAMS
- E DIAGRAMOS FOTOMÉTRICOS
- F DIAGRAMMES PHOTOMETRIQUES

**Legenda** Diameter 10%-50%: valori del diametro del fascio luminoso corrispondenti al 10% e 50% dell'illuminamento massimo.  
**Key** Diameter 10%-50%: beam diameter for 10% and 50% of maximum illumination.  
**Légende** Diameter 10%-50%: valeurs du diamètre du faisceau lumineux correspondant à 10% et 50% de l'éclairage maximum.  
**Legende** Diameter 10%-50%: Lichtkreis-Durchmesser bei 10% bzw.50% maximaler Ausleuchtung.  
**Leyenda** Diameter 10%-50%: valores del diámetro del haz luminoso correspondientes al 10% y 50% de la iluminación máxima.

## Minimum Zoom with WHITE (7.2° 10% - 4.3° 50%)

**Total Output: 3000 lumens**

lux (fc) 0 59050 (5486) 21258 (1975) 5315 (494) 2362 (219)

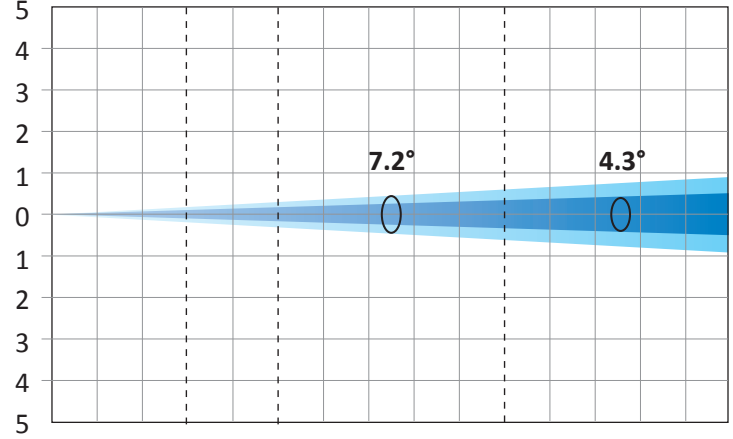


Distance	m (ft in)	0	3 (9' 10")	5 (16' 5")	10 (32' 10")	15 (49' 3")
Diameter 10%	m (ft in)	0	0.38 (1' 3")	0.63 (2' 1")	1.26 (4' 2")	1.89 (6' 2")
Diameter 50%	m (ft in)	0	0.23 (0' 9")	0.38 (1' 3")	0.75 (2' 6")	1.13 (3' 8")

## Minimum Zoom with RED (7.2° 10% - 4.3° 50%)

**Total Output: 1300 lumens**

lux (fc) 0 24811 (2305) 8932 (830) 2233 (207) 992 (92.2)



Distance	m (ft in)	0	3 (9' 10")	5 (16' 5")	10 (32' 10")	15 (49' 3")
Diameter 10%	m (ft in)	0	0.38 (1' 3")	0.63 (2' 1")	1.26 (4' 2")	1.89 (6' 2")
Diameter 50%	m (ft in)	0	0.23 (0' 9")	0.38 (1' 3")	0.75 (2' 6")	1.13 (3' 8")

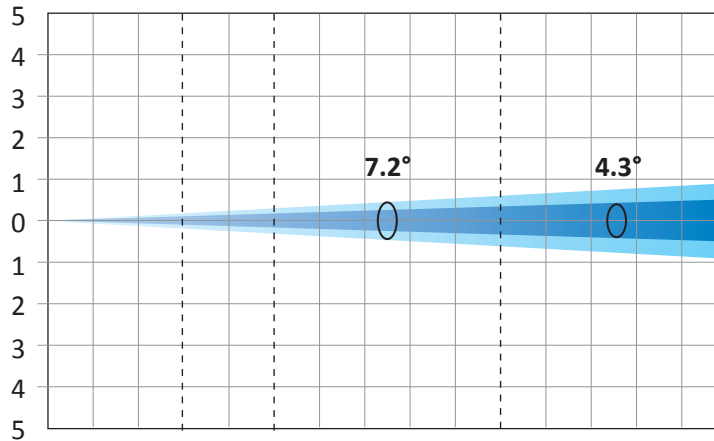
# A.LEDA B-EYE K20

- I DIAGRAMMI FOTOMETRICI
- D FOTOMETRICHE DIAGRAMME
- GB PHOTOMETRIC DIAGRAMS
- E DIAGRAMOS FOTOMÉTRICOS
- F DIAGRAMMES PHOTOMETRIQUES

## Minimum Zoom with GREEN (7.2° 10% - 4.3° 50%)

Total Output: 2400 lumens

lux (fc) 0 44531 (4137) 16031 (1489) 4008 (372) 1781 (165)

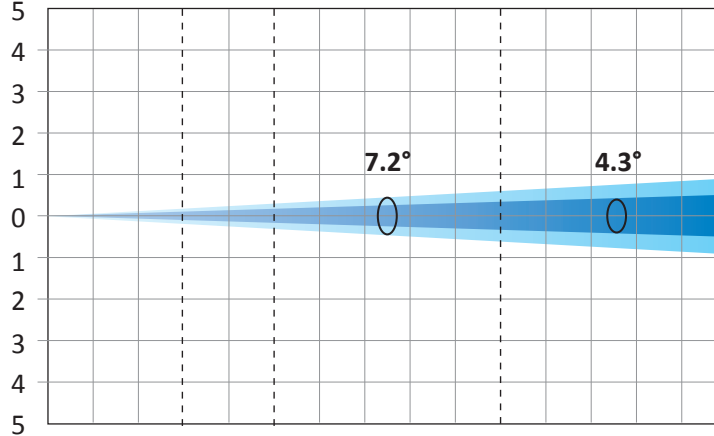


Distance	m (ft in)	0	3 (9' 10")	5 (16' 5")	10 (32' 10")	15 (49' 3")
Diameter 10%	m (ft in)	0	0.38 (1' 3")	0.63 (2' 1")	1.26 (4' 2")	1.89 (6' 2")
Diameter 50%	m (ft in)	0	0.23 (0' 9")	0.38 (1' 3")	0.75 (2' 6")	1.13 (3' 8")

## Minimum Zoom with BLUE (7.2° 10% - 4.3° 50%)

Total Output: 350 lumens

lux (fc) 0 5853 (544) 2107 (196) 527 (48.9) 234 (21.7)



Distance	m (ft in)	0	3 (9' 10")	5 (16' 5")	10 (32' 10")	15 (49' 3")
Diameter 10%	m (ft in)	0	0.38 (1' 3")	0.63 (2' 1")	1.26 (4' 2")	1.89 (6' 2")
Diameter 50%	m (ft in)	0	0.23 (0' 9")	0.38 (1' 3")	0.75 (2' 6")	1.13 (3' 8")

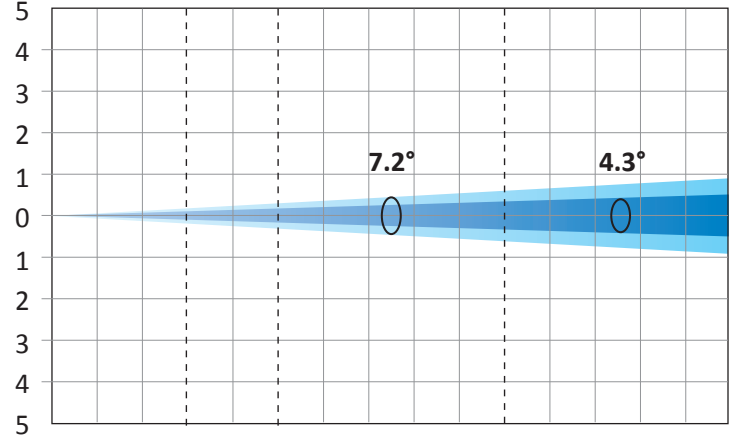
# A.LEDA B-EYE K20

- I DIAGRAMMI FOTOMETRICI
- D FOTOMETRICHE DIAGRAMME
- GB PHOTOMETRIC DIAGRAMS
- E DIAGRAMOS FOTOMÉTRICOS
- F DIAGRAMMES PHOTOMETRIQUES

## Minimum Zoom with WHITE, RED, GREEN & BLUE (7.2° 10% - 4.3° 50%)

Total Output: 5200 lumens

lux (fc) 0 101550 (9434) 36558 (3396) 9140 (849) 4062 (377)

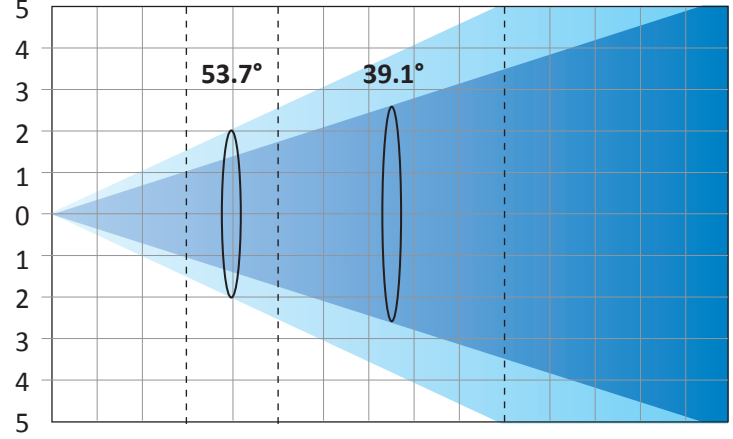


Distance	m (ft in)	0	3 (9' 10")	5 (16' 5")	10 (32' 10")	15 (49' 3")
Diameter 10%	m (ft in)	0	0.38 (1' 3")	0.63 (2' 1")	1.26 (4' 2")	1.89 (6' 2")
Diameter 50%	m (ft in)	0	0.23 (0' 9")	0.38 (1' 3")	0.75 (2' 6")	1.13 (3' 8")

## Maximum Zoom with WHITE (53.7° 10% - 39.1° 50%)

Total Output: 5600 lumens

lux (fc) 0 1392 (129) 501 (46.6) 125 (11.6) 56 (5.17)



Distance	m (ft in)	0	3 (9' 10")	5 (16' 5")	10 (32' 10")	15 (49' 3")
Diameter 10%	m (ft in)	0	3.04 (10' 0")	5.06 (16' 7")	10.12 (33' 3")	15.19 (49' 10")
Diameter 50%	m (ft in)	0	2.13 (7' 0")	3.55 (11' 8")	7.10 (23' 4")	10.65 (34' 11")

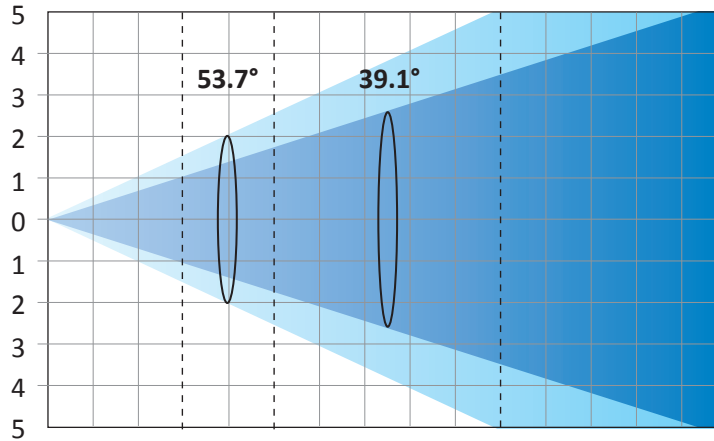
# A.LEDA B-EYE K20

- I DIAGRAMMI FOTOMETRICI
- D FOTOMETRICHE DIAGRAMME
- GB PHOTOMETRIC DIAGRAMS
- E DIAGRAMOS FOTOMÉTRICOS
- F DIAGRAMMES PHOTOMETRIQUES

## Maximum Zoom with RED (53.7° 10% - 39.1° 50%)

Total Output: 2300 lumens

lux (fc) 0 579 (53.8) 208 (19.4) 52 (4.84) 23 (2.15)

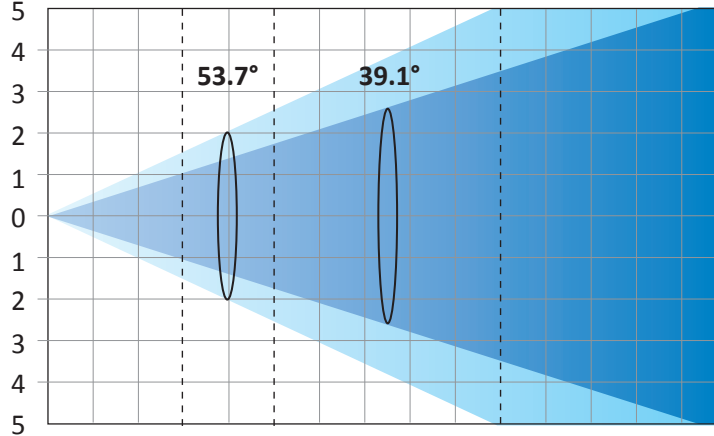


Distance	m (ft in)	0	3 (9' 10")	5 (16' 5")	10 (32' 10")	15 (49' 3")
Diameter 10%	m (ft in)	0	3.04 (10' 0")	5.06 (16' 7")	10.12 (33' 3")	15.19 (49' 10")
Diameter 50%	m (ft in)	0	2.13 (7' 0")	3.55 (11' 8")	7.10 (23' 4")	10.65 (34' 11")

## Maximum Zoom with GREEN (53.7° 10% - 39.1° 50%)

Total Output: 4400 lumens

lux (fc) 0 1121 (104) 404 (37.5) 101 (9.37) 45 (4.17)



Distance	m (ft in)	0	3 (9' 10")	5 (16' 5")	10 (32' 10")	15 (49' 3")
Diameter 10%	m (ft in)	0	3.04 (10' 0")	5.06 (16' 7")	10.12 (33' 3")	15.19 (49' 10")
Diameter 50%	m (ft in)	0	2.13 (7' 0")	3.55 (11' 8")	7.10 (23' 4")	10.65 (34' 11")

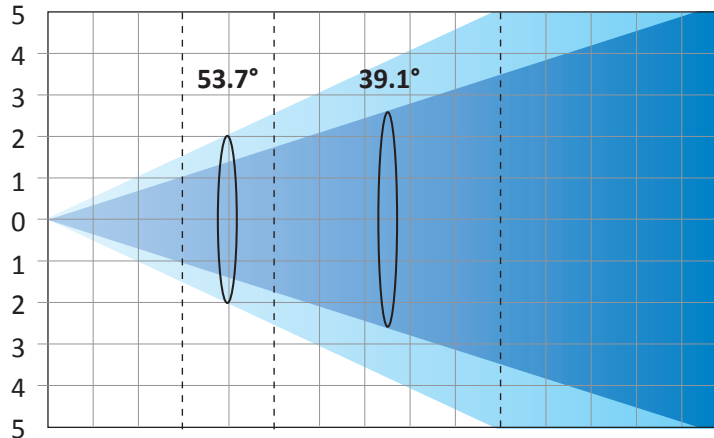
# A.LEDA B-EYE K20

- I DIAGRAMMI FOTOMETRICI
- D FOTOMETRICHE DIAGRAMME
- GB PHOTOMETRIC DIAGRAMS
- E DIAGRAMOS FOTOMÉTRICOS
- F DIAGRAMMES PHOTOMETRIQUES

## Maximum Zoom with BLUE (53.7° 10% - 39.1° 50%)

Total Output: 600 lumens

lux (fc) 0 145 (13.5) 52 (4.85) 13 (1.21) 6 (0.54)

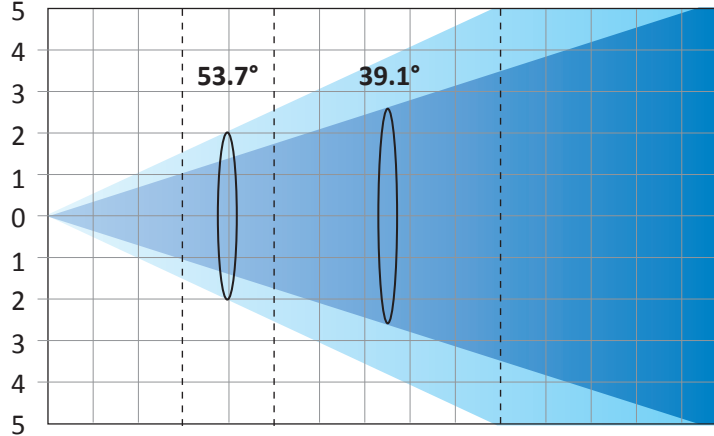


Distance	m (ft in)	0	3 (9' 10'')	5 (16' 5'')	10 (32' 10'')	15 (49' 3'')
Diameter 10%	m (ft in)	0	3.04 (10' 0'')	5.06 (16' 7'')	10.12 (33' 3'')	15.19 (49' 10'')
Diameter 50%	m (ft in)	0	2.13 (7' 0'')	3.55 (11' 8'')	7.10 (23' 4'')	10.65 (34' 11'')

## Maximum Zoom with WHITE, RED, GREEN & BLUE (53.7° 10% - 39.1° 50%)

Total Output: 9800 lumens

lux (fc) 0 2451 (228) 882 (82) 221 (20.5) 98 (9.11)



Distance	m (ft in)	0	3 (9' 10'')	5 (16' 5'')	10 (32' 10'')	15 (49' 3'')
Diameter 10%	m (ft in)	0	3.04 (10' 0'')	5.06 (16' 7'')	10.12 (33' 3'')	15.19 (49' 10'')
Diameter 50%	m (ft in)	0	2.13 (7' 0'')	3.55 (11' 8'')	7.10 (23' 4'')	10.65 (34' 11'')

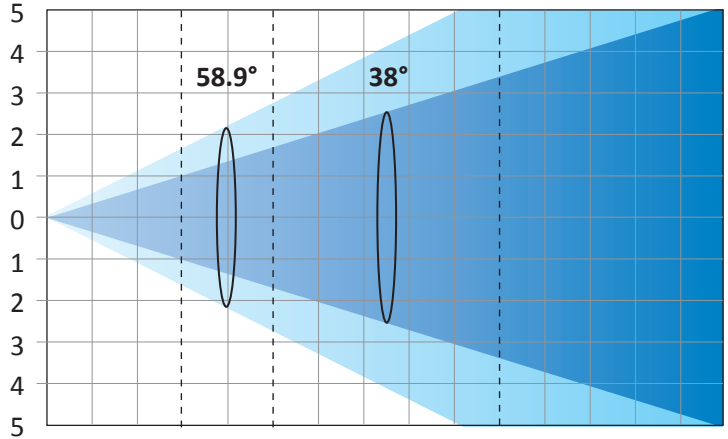
# A.LEDA B-EYE K20

- I DIAGRAMMI FOTOMETRICI
- D FOTOMETRICHE DIAGRAMME
- GB PHOTOMETRIC DIAGRAMS
- E DIAGRAMOS FOTOMÉTRICOS
- F DIAGRAMMES PHOTOMETRIQUES

## Maximum Zoom (extra-zoom) with WHITE (58.9° 10% - 38° 50%)

Total Output: 5500 lumens

lux (fc) 0 1335 (124) 481 (44.6) 120 (11.2) 53 (4.96)

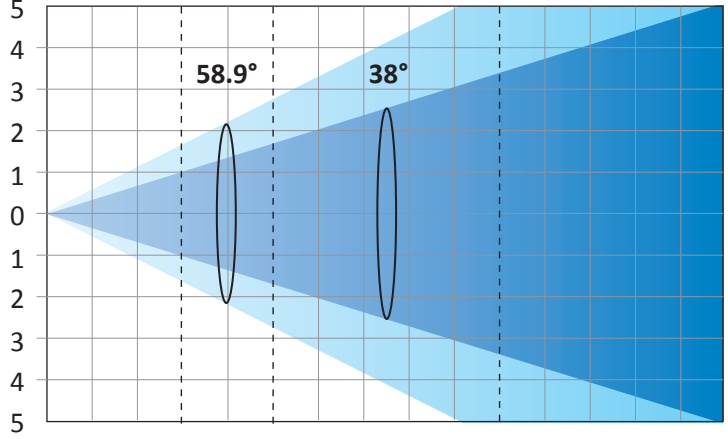


Distance	m (ft in)	0	3 (9' 10")	5 (16' 5")	10 (32' 10")	15 (49' 3")
Diameter 10%	m (ft in)	0	3.39 (11' 1")	5.65 (18' 6")	11.29 (37' 1")	16.94 (55' 7")
Diameter 50%	m (ft in)	0	2.07 (6' 9")	3.44 (11' 4")	6.89 (22' 7")	10.33 (33' 11")

## Maximum Zoom (extra-zoom) with RED (58.9° 10% - 38° 50%)

Total Output: 2200 lumens

lux (fc) 0 547 (50.8) 197 (18.3) 49 (4.57) 22 (2.03)



Distance	m (ft in)	0	3 (9' 10")	5 (16' 5")	10 (32' 10")	15 (49' 3")
Diameter 10%	m (ft in)	0	3.39 (11' 1")	5.65 (18' 6")	11.29 (37' 1")	16.94 (55' 7")
Diameter 50%	m (ft in)	0	2.07 (6' 9")	3.44 (11' 4")	6.89 (22' 7")	10.33 (33' 11")

# A.LEDA B-EYE K20

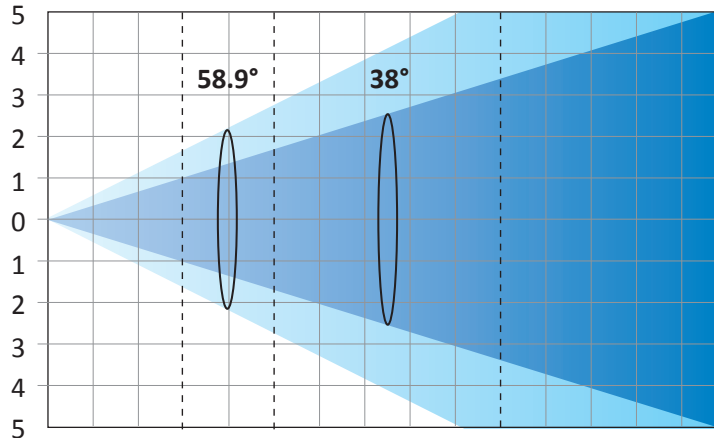
- I** DIAGRAMMI FOTOMETRICI
- GB** PHOTOMETRIC DIAGRAMMS
- F** DIAGRAMMES PHOTOMETRIQUES

- D** FOTOMETRICHE DIAGRAMME
- E** DIAGRAMOS FOTOMÉTRICOS

## Maximum Zoom (extra-zoom) with GREEN (58.9° 10% - 38° 50%)

**Total Output: 4300 lumens**

lux (fc) 0 1058 (98.3) 381 (35.4) 95 (8.85) 42 (3.93)

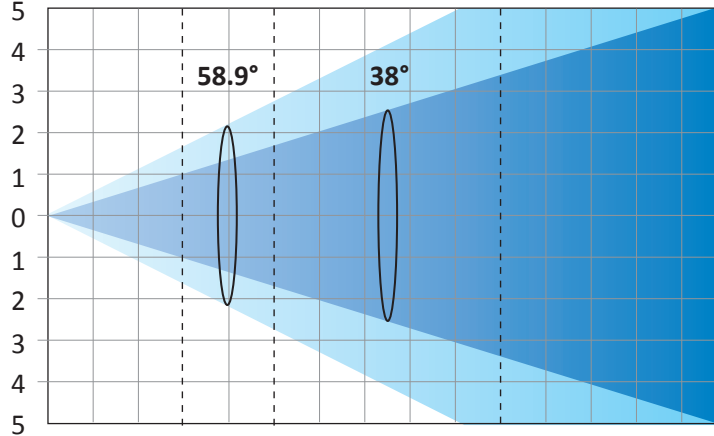


<b>Distance</b>	m (ft in)	0	3 (9' 10")	5 (16' 5")	10 (32' 10")	15 (49' 3")
<b>Diameter 10%</b>	m (ft in)	0	3.39 (11' 1")	5.65 (18' 6")	11.29 (37' 1")	16.94 (55' 7")
<b>Diameter 50%</b>	m (ft in)	0	2.07 (6' 9")	3.44 (11' 4")	6.89 (22' 7")	10.33 (33' 11")

## Maximum Zoom (extra-zoom) with BLUE (58.9° 10% - 38° 50%)

**Total Output: 550 lumens**

lux (fc) 0 137 (12.7) 49 (4.58) 12 (1.15) 5 (0.51)



<b>Distance</b>	m (ft in)	0	3 (9' 10")	5 (16' 5")	10 (32' 10")	15 (49' 3")
<b>Diameter 10%</b>	m (ft in)	0	3.39 (11' 1")	5.65 (18' 6")	11.29 (37' 1")	16.94 (55' 7")
<b>Diameter 50%</b>	m (ft in)	0	2.07 (6' 9")	3.44 (11' 4")	6.89 (22' 7")	10.33 (33' 11")

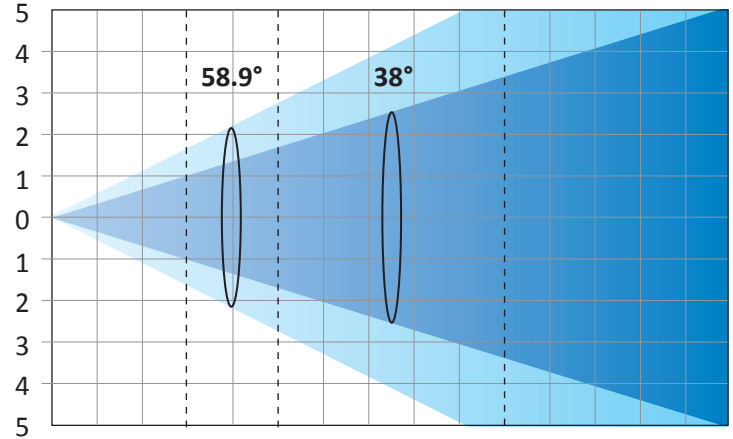
# A.LEDA B-EYE K20

- I DIAGRAMMI FOTOMETRICI
- D FOTOMETRICHE DIAGRAMME
- GB PHOTOMETRIC DIAGRAMS
- E DIAGRAMOS FOTOMÉTRICOS
- F DIAGRAMMES PHOTOMETRIQUES

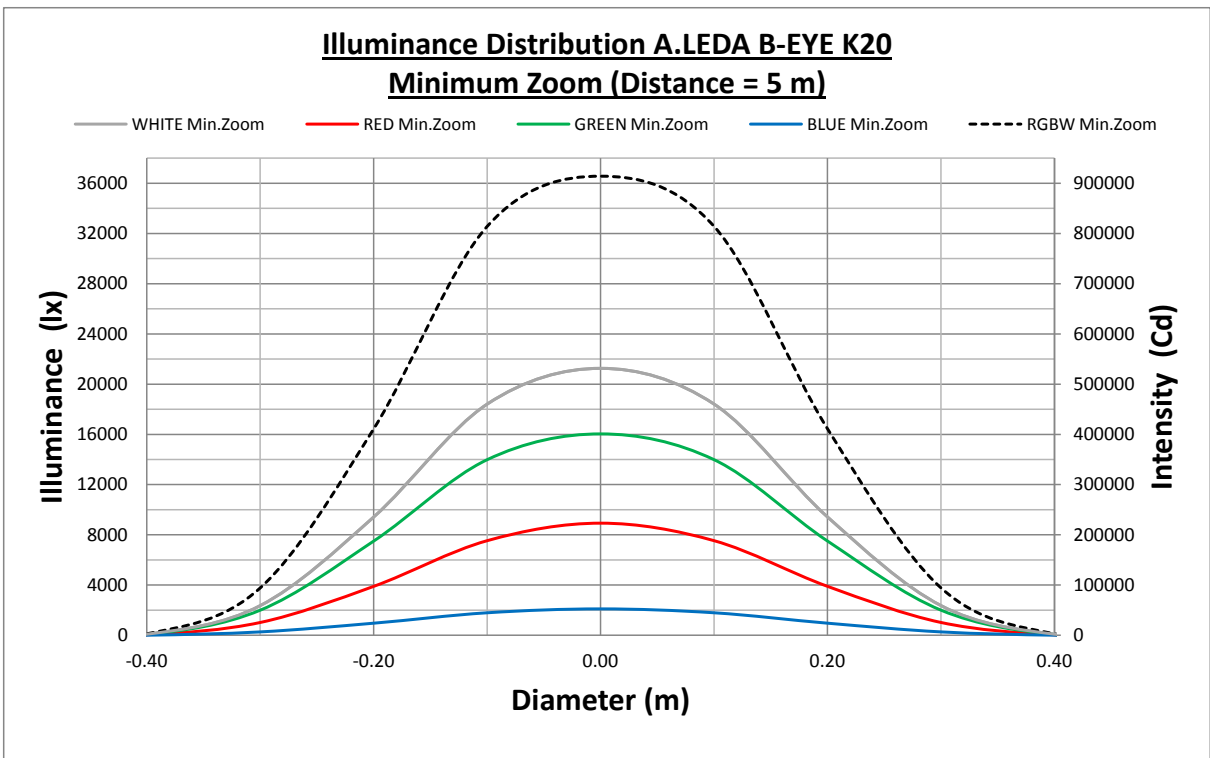
**Maximum Zoom (extra-zoom) with WHITE, RED, GREEN & BLUE (58.9° 10% - 38° 50%)**

**Total Output: 9600 lumens**

lux (fc) 0 2337 (217) 841 (78.2) 210 (19.5) 93 (8.68)



<b>Distance</b>	m (ft in)	0	3 (9' 10")	5 (16' 5")	10 (32' 10")	15 (49' 3")
<b>Diameter 10%</b>	m (ft in)	0	3.39 (11' 1")	5.65 (18' 6")	11.29 (37' 1")	16.94 (55' 7")
<b>Diameter 50%</b>	m (ft in)	0	2.07 (6' 9")	3.44 (11' 4")	6.89 (22' 7")	10.33 (33' 11")





# A.LEDA B-EYE K20

- I DIAGRAMMI FOTOMETRICI
- D FOTOMETRICHE DIAGRAMME
- GB PHOTOMETRIC DIAGRAMS
- E DIAGRAMOS FOTOMÉTRICOS
- F DIAGRAMMES PHOTOMETRIQUES

